

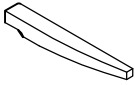
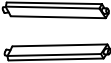


# ASSEMBLY INSTRUCTIONS

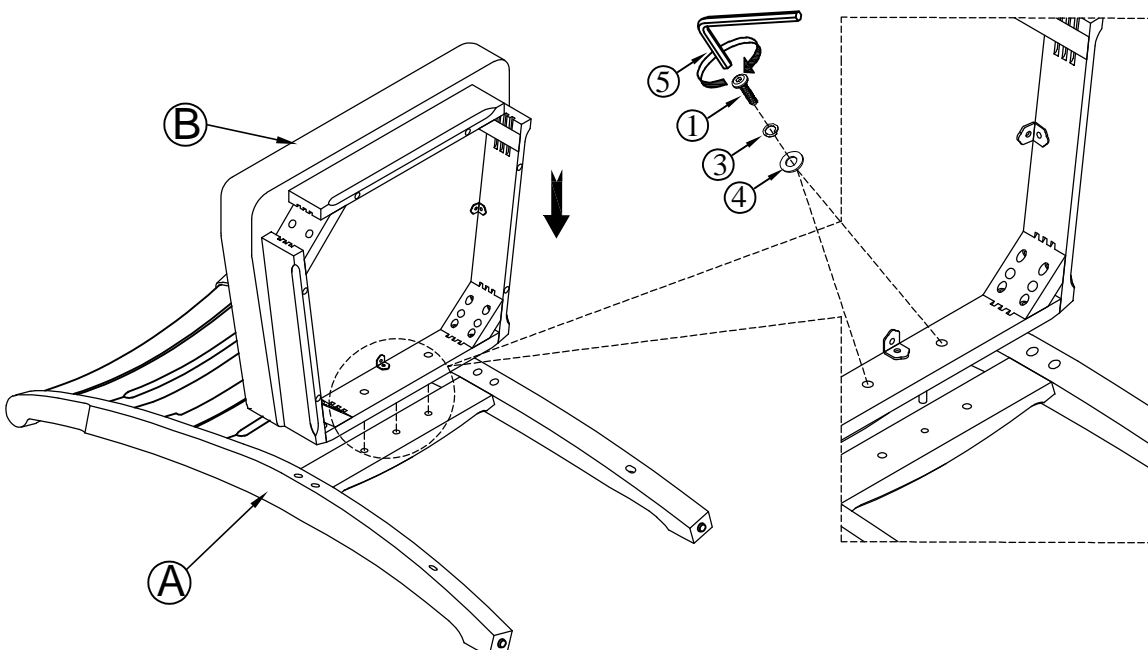
MODEL # : 3920-717 DESK CHAIR (V#12600TNWC1)

**NOTE: THIS ITEM NOT RECOMMENDED FOR COMMERCIAL USE  
KEEP THIS DOCUMENT FOR REFERENCE IN CASE PARTS ARE NEEDED  
DO NOT TIGHTEN SCREWS UNTIL COMPLETELY ASSEMBLED!!**

No	PARTS LIST		Q'TY
A		CHAIR BACK	1PC
B		SEAT FRAME W/CUSHION	1PC
C		LEGS (L & R)	2PCS
D		STRETCHERS (L & R)	2PCS

NO.	HARDWARE LIST			Q'TY
1		ALLEN BOLT	Ø1/4" x 1-1/2"	2PCS
2		ALLEN BOLT	Ø5/16" x 2-3/4"	8PCS
3		LOCK WASHER	Ø5/16"	10PCS
4		FLAT WASHER	Ø5/16" x 19Dmm	10PCS
5		ALLEN KEY	4mm	1PC
6		SCREWS	5/32" x 2"	4PCS

## STEP 1

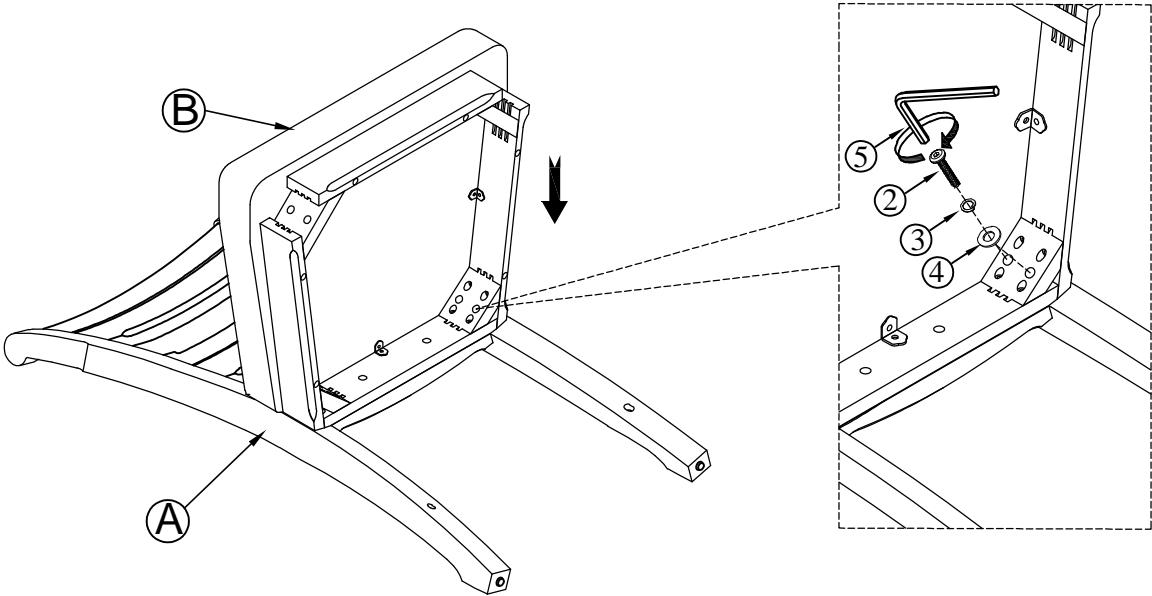


# ASSEMBLY INSTRUCTIONS

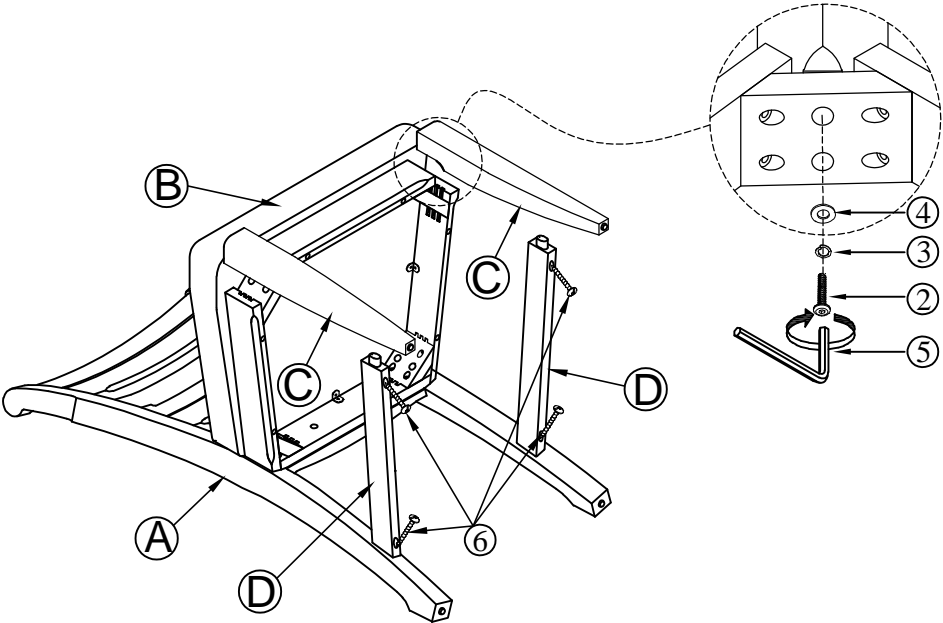
MODEL # : 3920-717 DESK CHAIR (V#12600TNWC1)

NOTE: THIS ITEM NOT RECOMMENDED FOR COMMERCIAL USE  
KEEP THIS DOCUMENT FOR REFERENCE IN CASE PARTS ARE NEEDED  
DO NOT TIGHTEN SCREWS UNTIL COMPLETELY ASSEMBLED!!

## STEP 2



## STEP 3



# ASSEMBLY INSTRUCTIONS

MODEL # : 3920-717 DESK CHAIR (V#12600TNWC1)

NOTE: THIS ITEM NOT RECOMMENDED FOR COMMERCIAL USE  
KEEP THIS DOCUMENT FOR REFERENCE IN CASE PARTS ARE NEEDED  
DO NOT TIGHTEN SCREWS UNTIL COMPLETELY ASSEMBLED!!

COMPLETED

