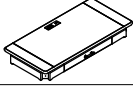
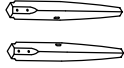

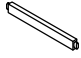



ASSEMBLY INSTRUCTIONS

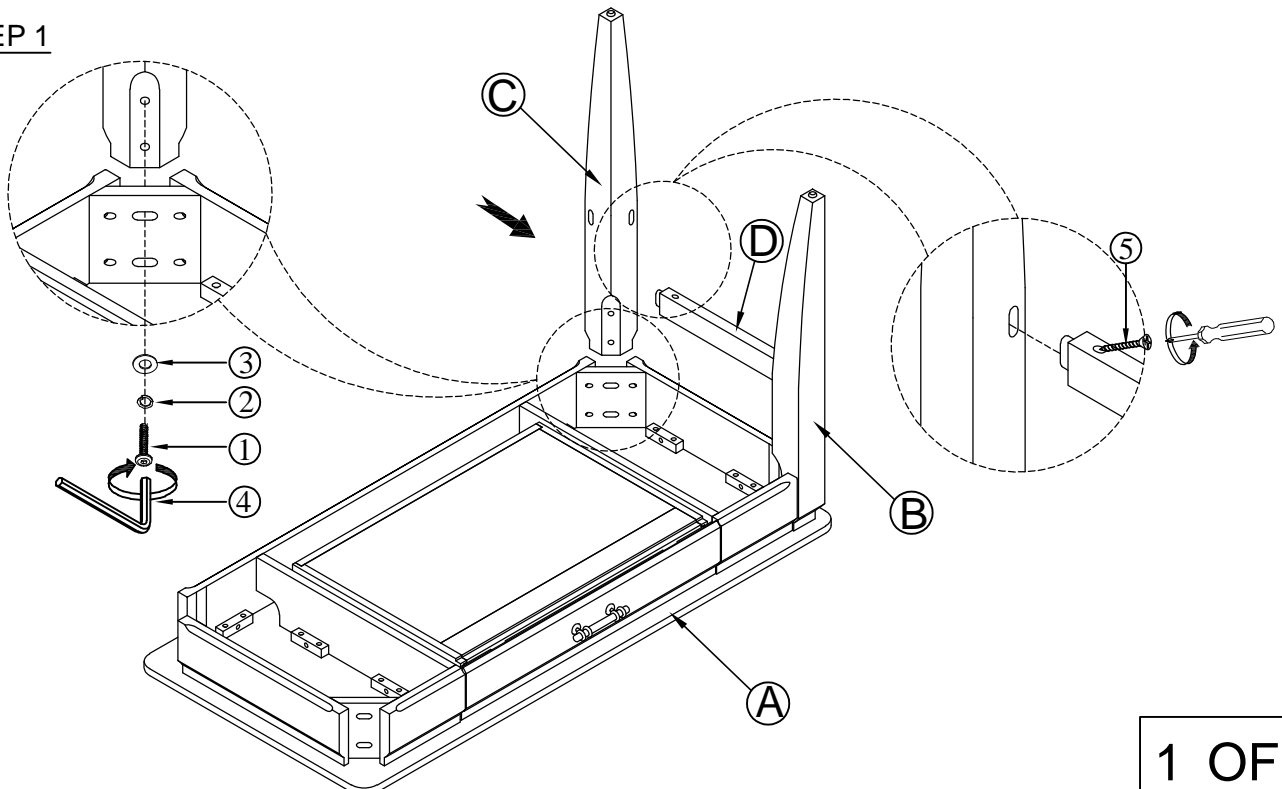
MODEL # : 3920-715 DESK (V#12600TNWC1)

**NOTE: THIS ITEM NOT RECOMMENDED FOR COMMERCIAL USE
KEEP THIS DOCUMENT FOR REFERENCE IN CASE PARTS ARE NEEDED
DO NOT TIGHTEN SCREWS UNTIL COMPLETELY ASSEMBLED!!**

No	PARTS LIST		Q'TY
A		TABLE TOP	1PC
B		FRONT LEGS (L & R)	2PCS
C		BACK LEGS	2PCS
D		SHORT STRETCHER	2PCS
E		LONG STRETCHER	1PC

NO.	HARDWARE LIST			Q'TY
1		ALLEN BOLT	Ø5/16" x 2-3/8"	8PCS
2		LOCK WASHER	Ø5/16"	8PCS
3		FLAT WASHER	Ø5/16" x 19Dmm	8PCS
4		ALLEN KEY	4mm	1PC
5		SCREW	5/32" x 2"	6PCS
6		CLIPS	N/A	4PCS

STEP 1

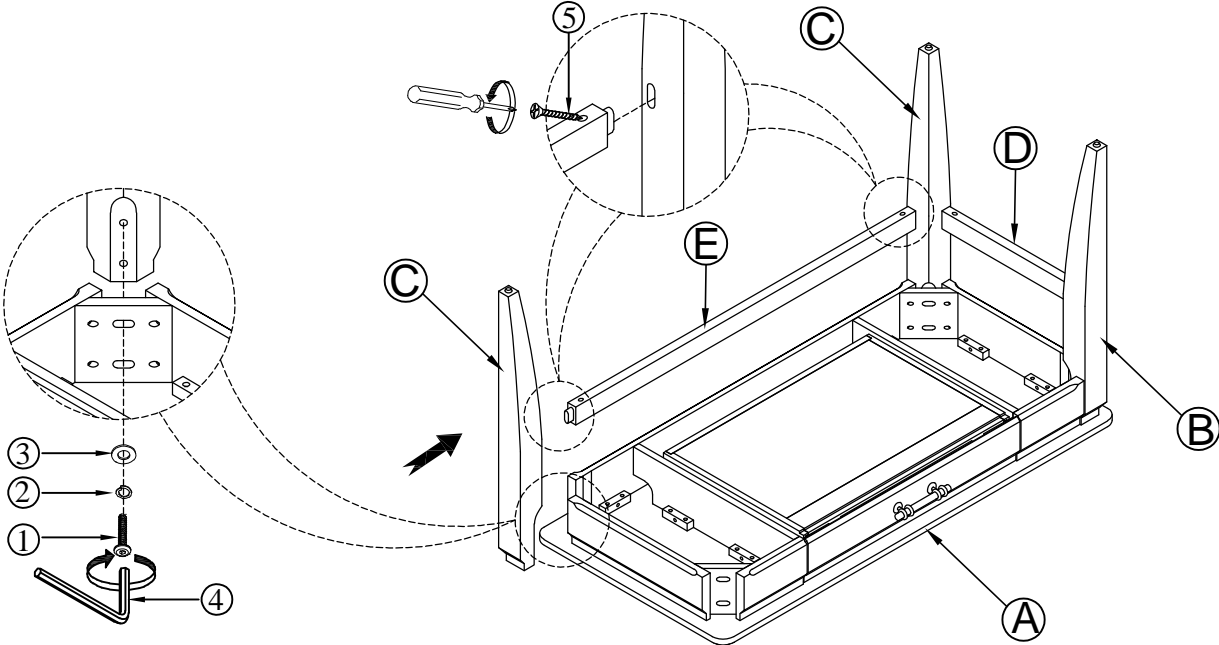


ASSEMBLY INSTRUCTIONS

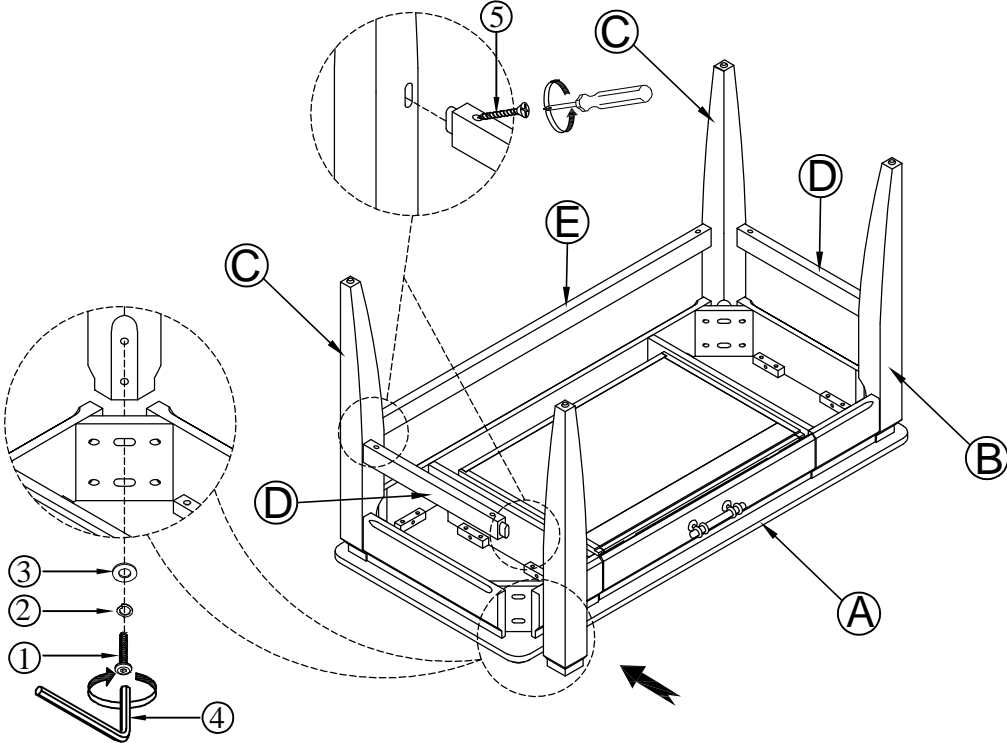
MODEL #: 3920-715 DESK (V#12600TNWC1)

NOTE: THIS ITEM NOT RECOMMENDED FOR COMMERCIAL USE
KEEP THIS DOCUMENT FOR REFERENCE IN CASE PARTS ARE NEEDED
DO NOT TIGHTEN SCREWS UNTIL COMPLETELY ASSEMBLED!!

STEP 2



STEP 3



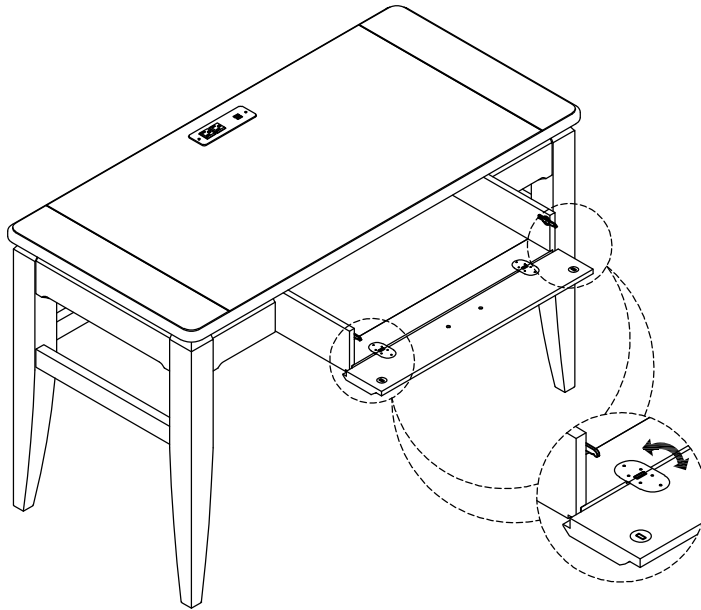
★ INSTALL CLIPS (6) TO MANAGE CORDS.

ASSEMBLY INSTRUCTIONS

MODEL # : 3920-715 DESK (V#12600TNWC1)

NOTE: THIS ITEM NOT RECOMMENDED FOR COMMERCIAL USE
KEEP THIS DOCUMENT FOR REFERENCE IN CASE PARTS ARE NEEDED
DO NOT TIGHTEN SCREWS UNTIL COMPLETELY ASSEMBLED!!

STEP 4



COMPLETED

