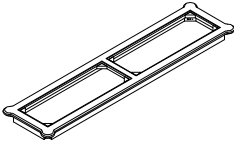


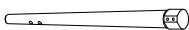
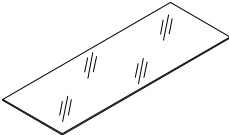




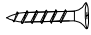
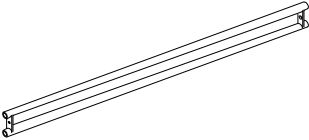
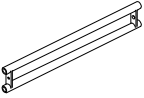



ASSEMBLY INSTRUCTIONS

MODEL # : 338-533 4-PC CONSOLE WITH STOOLS (V#12600HMY)

NOTE: KEEP THIS DOCUMENT FOR REFERENCE IN CASE PARTS ARE NEEDED
DO NOT TIGHTEN SCREWS UNTIL COMPLETELY ASSEMBLED!!
UNIT SHOULD BE ASSEMBLED BY TWO OR MORE PEOPLE.

No	PART LIST		Q'TY
A		CONSOLE TABLE TOP	1PC
B		BACK LEGS	2PCS
C		FRONT LEFT LEG	1PC
D		FRONT RIGHT LEG	1PC
E		GLASS TOPS	2PCS

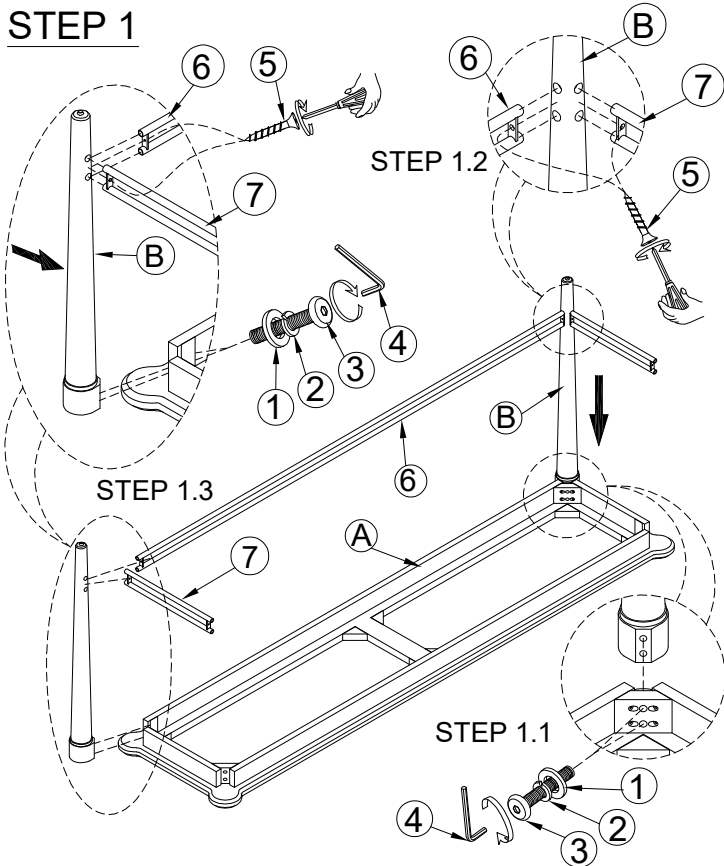
No	HARDWARE LIST		Q'TY
1		FLAT WASHER	$\phi 5/16 \times 19 \times 1.5\text{mm}$ 8PCS
2		LOCK WASHER	$\phi 5/16 \times 13 \times 1\text{mm}$ 8PCS
3		ALLEN BOLT	$\phi 5/16 \times 2-1/4''$ 8PCS
4		ALLEN KEY	$2-3/8 \times 4\text{mm}$ 1PC
5		SCREW	$\phi 8 \times 3/4''$ 6PCS
6		BACK METAL STRETCHER	1PC
7		SIDE METAL STRETCHER	2PCS
8		GLASS PADS	$\phi 18 \times 6\text{mm}$ 8PCS

ASSEMBLY INSTRUCTIONS

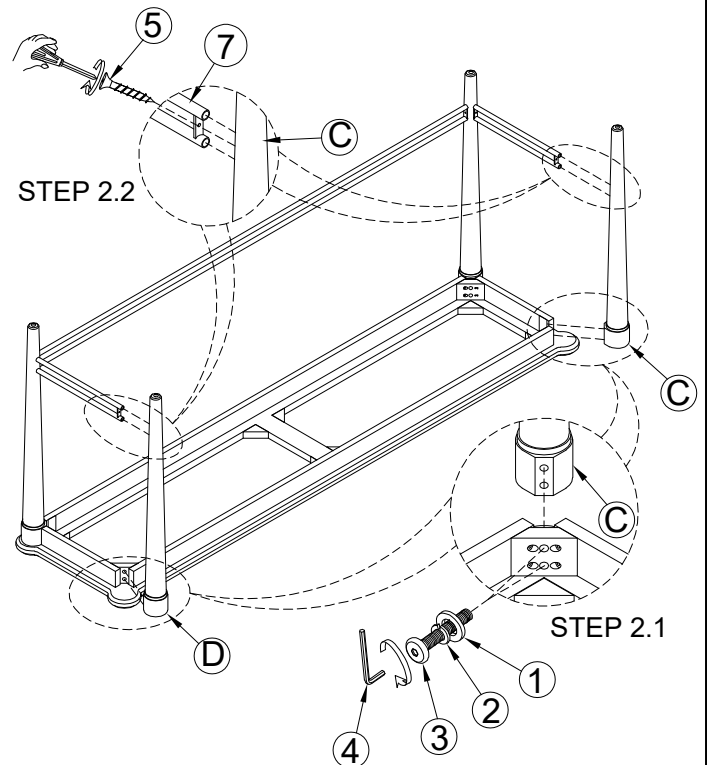
MODEL # : 338-533 4-PC CONSOLE WITH STOOLS (V#12600HMY)

NOTE: KEEP THIS DOCUMENT FOR REFERENCE IN CASE PARTS ARE NEEDED
DO NOT TIGHTEN SCREWS UNTIL COMPLETELY ASSEMBLED!!
UNIT SHOULD BE ASSEMBLED BY TWO OR MORE PEOPLE.

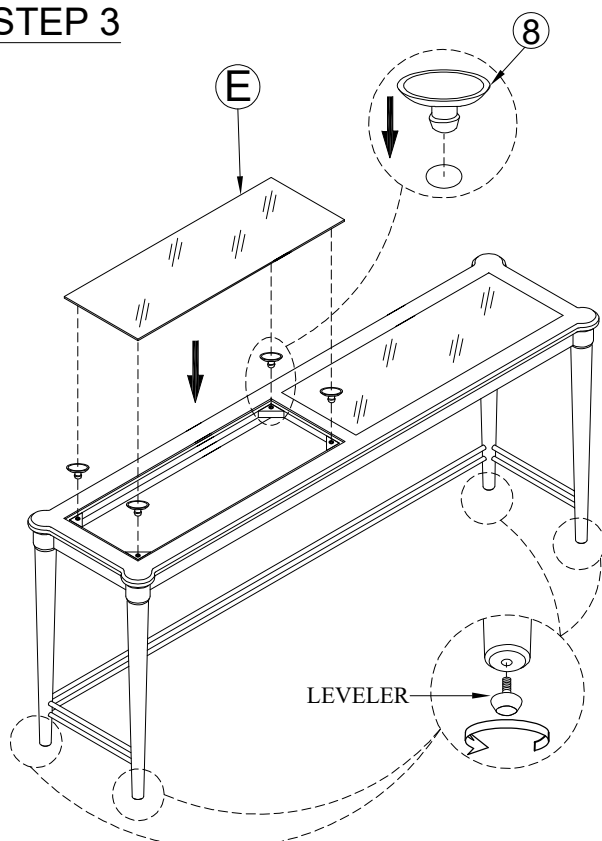
STEP 1



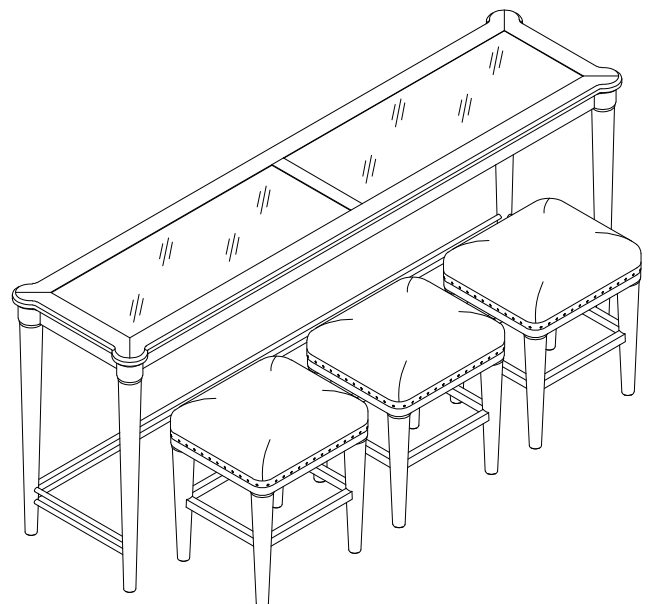
STEP 2



STEP 3



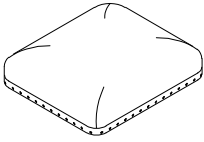
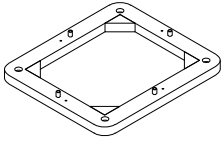
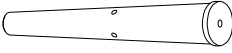
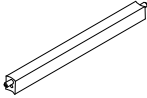
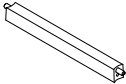
COMPLETED



ASSEMBLY INSTRUCTIONS

MODEL # : 338-533 4-PC CONSOLE WITH STOOLS (V#12600HMY)

NOTE: KEEP THIS DOCUMENT FOR REFERENCE IN CASE PARTS ARE NEEDED
DO NOT TIGHTEN SCREWS UNTIL COMPLETELY ASSEMBLED!!
UNIT SHOULD BE ASSEMBLED BY TWO OR MORE PEOPLE.

No	PART LIST		Q'TY
A		SEAT CUSHION	3PCS
B		WOOD FRAME	3PCS
C		LEGS	12PCS
D		LONG STRETCHER	6PCS
E		SHORT STRETCHER	6PCS

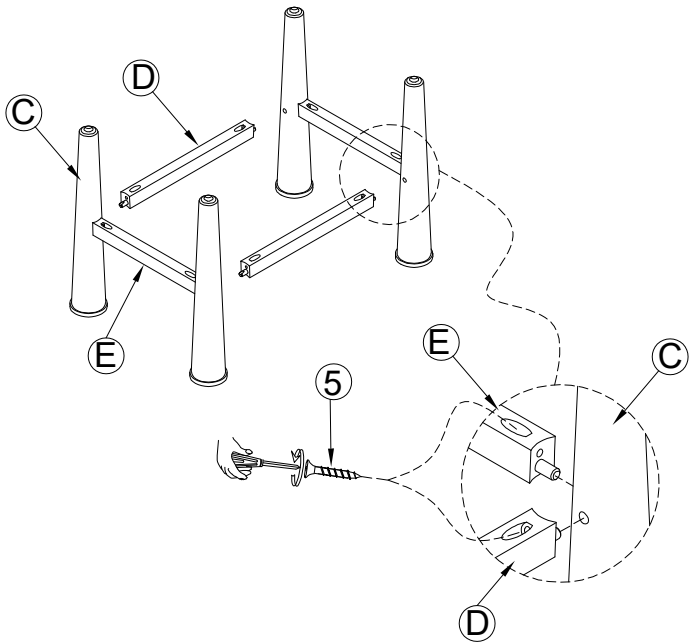
No	HARDWARE LIST		Q'TY
1		FLAT WASHER	12PCS
2		LOCK WASHER	12PCS
3		ALLEN BOLT	12PCS
4		ALLEN KEY	1PC
5		SCREW	36PCS

ASSEMBLY INSTRUCTIONS

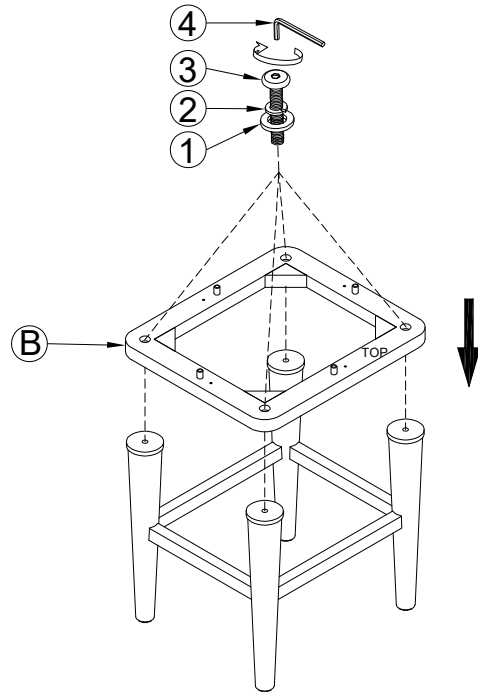
MODEL # : 338-533 4-PC CONSOLE WITH STOOLS (V#12600HMY)

NOTE: KEEP THIS DOCUMENT FOR REFERENCE IN CASE PARTS ARE NEEDED
DO NOT TIGHTEN SCREWS UNTIL COMPLETELY ASSEMBLED!!
UNIT SHOULD BE ASSEMBLED BY TWO OR MORE PEOPLE.

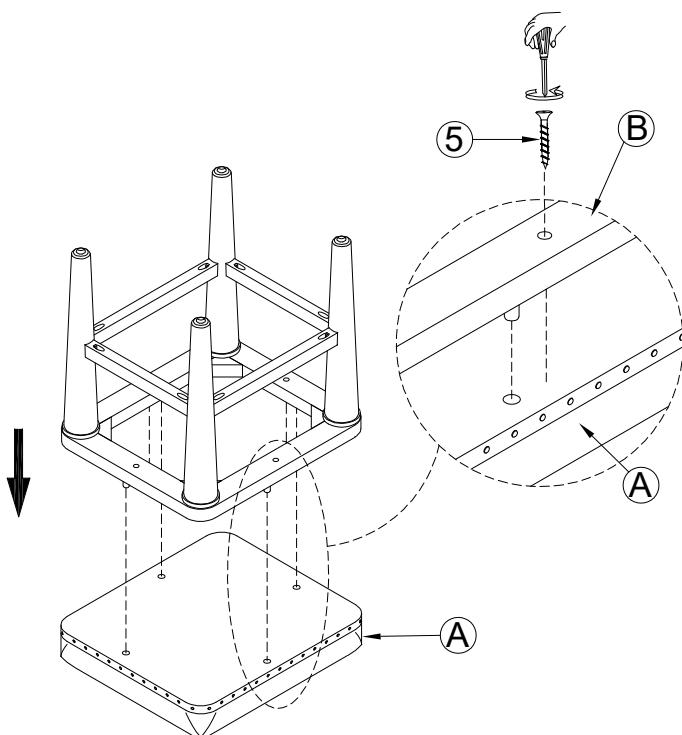
STEP 1



STEP 2



STEP 3



COMPLETED

