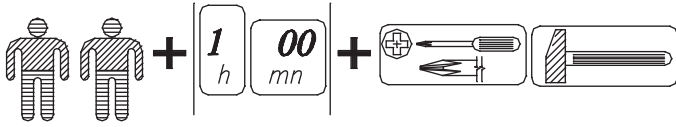


INSTRUCTIONS FOR MODEL:

3727 - WHITE TWIN 2 1/2" PINE BUNK BED (V# 114MAD1)

3729 - MERLOT TWIN 2 1/2" PINE BUNK BED (V# 114MAD1)

**IMPORTANT:**

Read all instruction first then follow each step as numbered and described.

Two or more persons required for assembly.

Caution: These assembly steps have been engineered to result in a quality product. Failure to follow these instructions may result in a unsound piece of furniture.

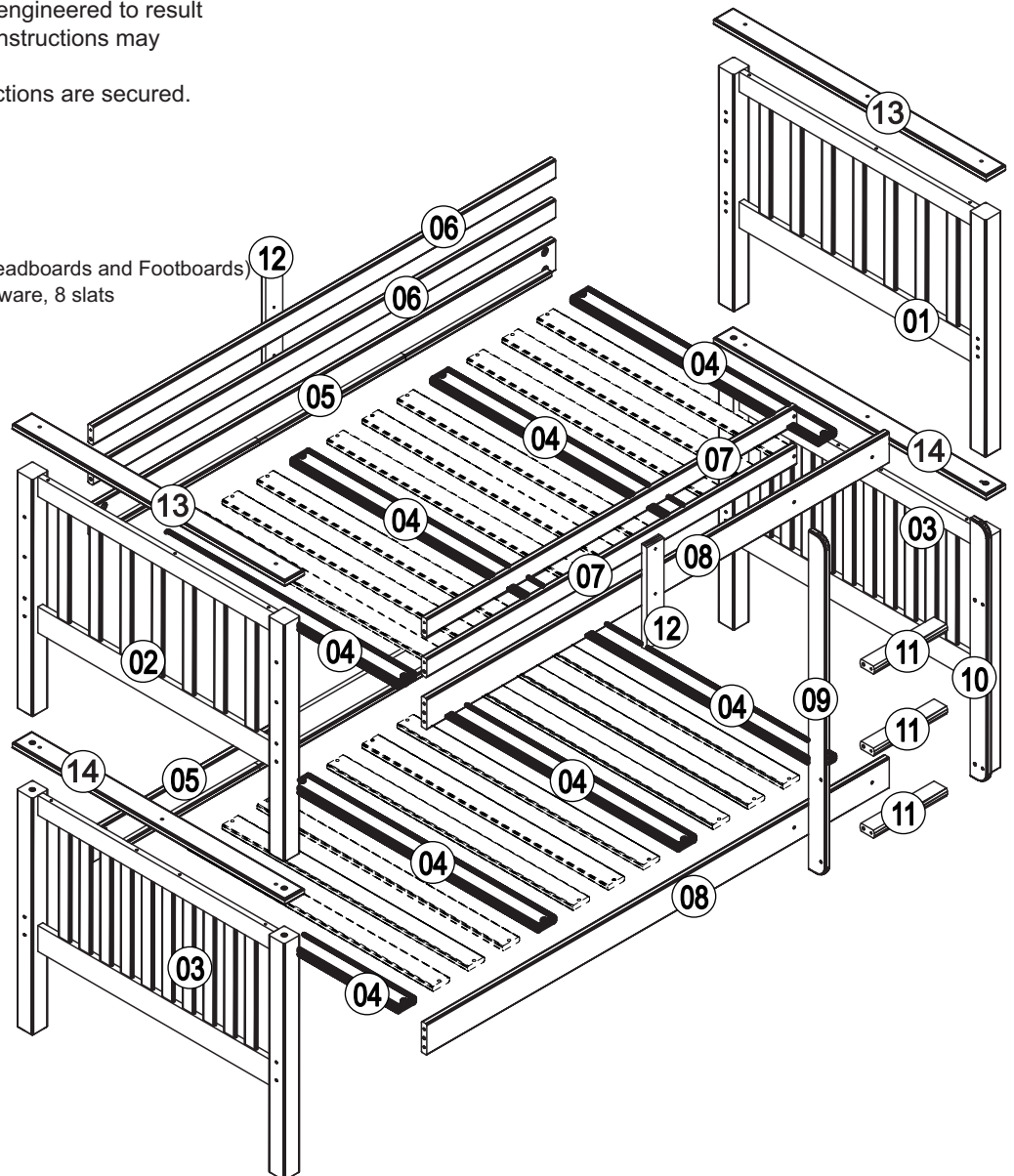
Before using furniture, make sure all connections are secured.

TOOLS REQUIRED:

Phillips Screwdriver
Hammer

CARTONS REQUIRED:

- Carton 1/2 bed, structures end Small Top (Headboards and Footboards)
- Carton 2/2 side rails, guardrails, ladder, hardware, 8 slats

**PARTS LIST (SEPARATE PARTS OF BUNK BED ACCORDING TO NUMBERING):**

NR.		QUANTITY	BOX
(1,2,3)	Bed end structures (headboards and footboards)	1/1/2	1 of 2
(14,13)	Small Top Lower, Small Top Upper (Hardware Hat's)	2/2	1 of 2
(5,8)	Side rails	2/2	2 of 2
(6,7)	Guard rails	2/2	2 of 2
(12)	Guardrails bears	2	2 of 2
(9,10,11)	Ladder	1/1/3	2 of 2
(4)	Slats	8	2 of 2
	Hardware (dowels, screws, bolts, etc)	1	2 of 2



READ THESE INSTRUCTIONS CAREFULLY BEFORE ATTEMPTING TO ASSEMBLE THIS BED

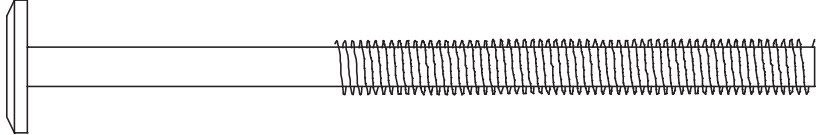
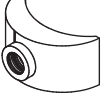
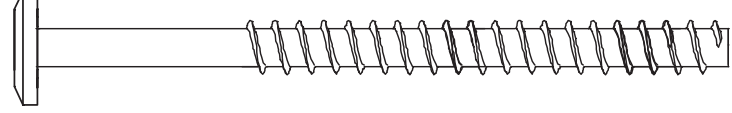
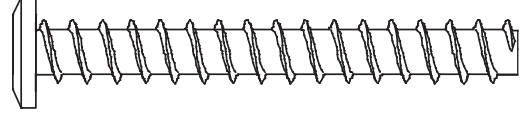



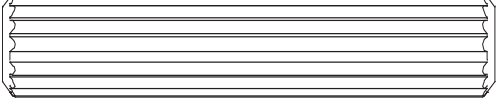
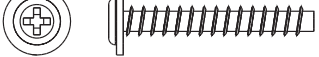


Safety Warnings and General Notes:

- Follow the information on the warnings appearing on the upper bunk end structure and on the carton. Do not remove warning label from bed.
- Always use the recommended size mattress or mattress support, or both, to help prevent the likelihood of entrapment or falls. (See Mattress specifications bellow)
- Note: Bunkie boards or 13-slat kits are required on top & bottom of this bed.
- The top Surface of mattress must be at least 5 in. (127 mm) below the upper edge of guardrails.
- Do not allow children under 6 years of age to use the upper bunk.
- Periodically check and ensure that the guardrail,ladder, and other components are in their proper position, free from damage, and that all connectors are tight.
- Do not allow horseplay on or under the bed and prohibit jumping on the bed.
- Always use the ladder for entering and leaving the upper bunk.
- Do not use substitute parts. Contact the manufacturer or dealer for replacement parts.
- Use of a night light may provide added safety precaution for a child using the upper bunk.
- Always use guardrails on both long sides of the upper bunk. If the bunk bed will be placed next to the wall, the guardrail that runs the full length of the bed should be placed against the wall to prevent entrapment between the bed and wall.
- The use of water or sleep flotation mattresses is prohibited.
- STRANGULATION HAZARD – Never attach or hang items to any part of the bunk bed that are not designed for use with the bed; for example, but not limited to, hooks, belts and jump ropes.
- Keep these instructions for future reference.

Upper Bed Mattress Specifications:

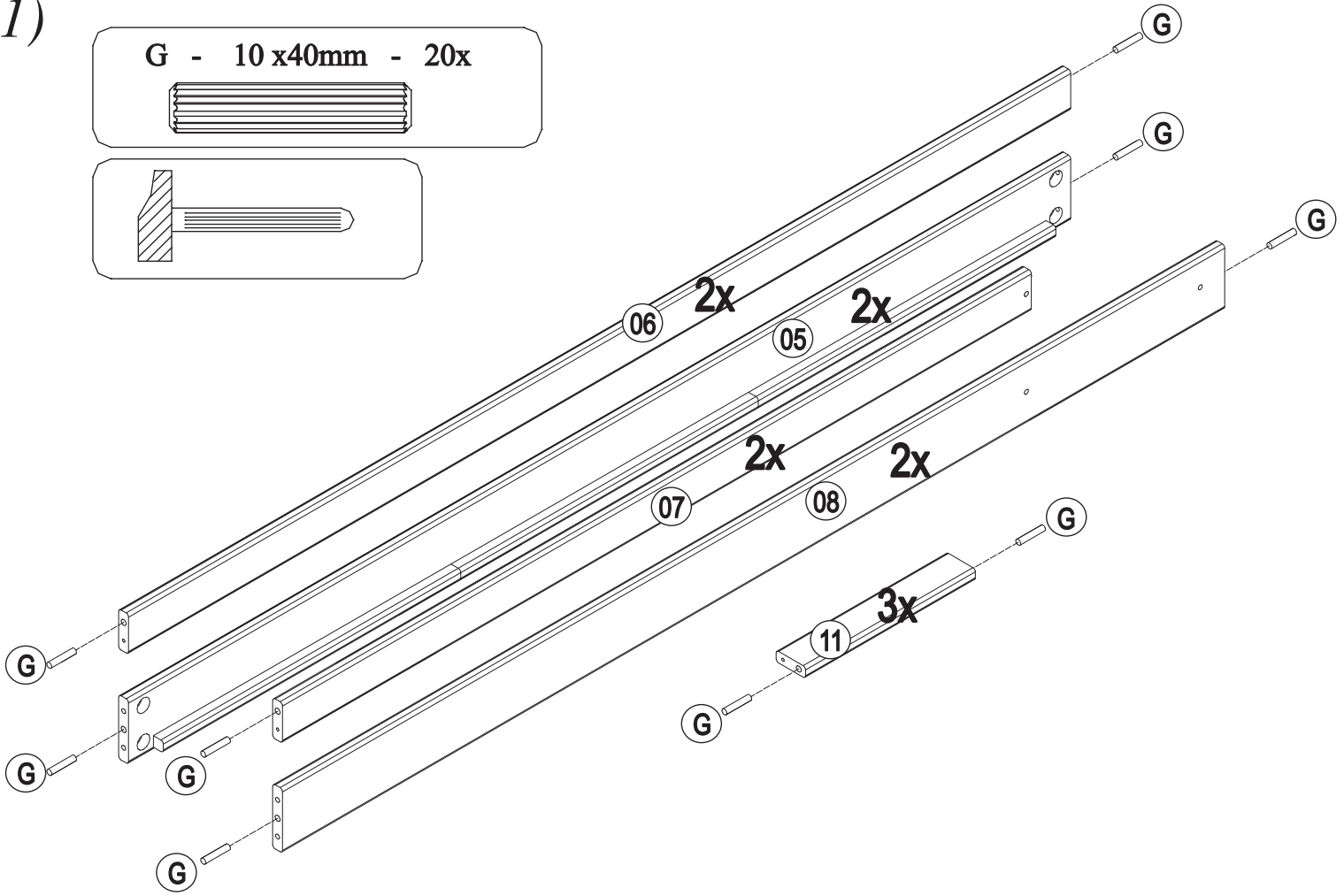
- **Use a mattress that is 74" - 75" long and 37 1/2"- 38 1/2"wide on the upper bunk**
- **Ensure thickness of mattress and foundation combined does not exceed 8" and that mattress surface is at least 5" below upper edge of guardrails**

ATTENTION!!! HARDWARE BELOW(SEPARATE AND CONFER).

A	16x		1/4" x 110 mm
B	16x		1/4"
C	06x		7,0 x 100 mm
D	12x		7,0 x 50 mm
E	01x		4,0 mm
F	36x		C.C - 4,0 x 35 mm
G	20x		10 x 40 mm
H	04x		15 x 90 mm
I	06x		C.Fl. - 4,0 x 35 mm
J	04x	 Wood plugs	
K	02x	 Glue	20g

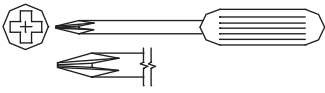
1)

G - 10 x40mm - 20x

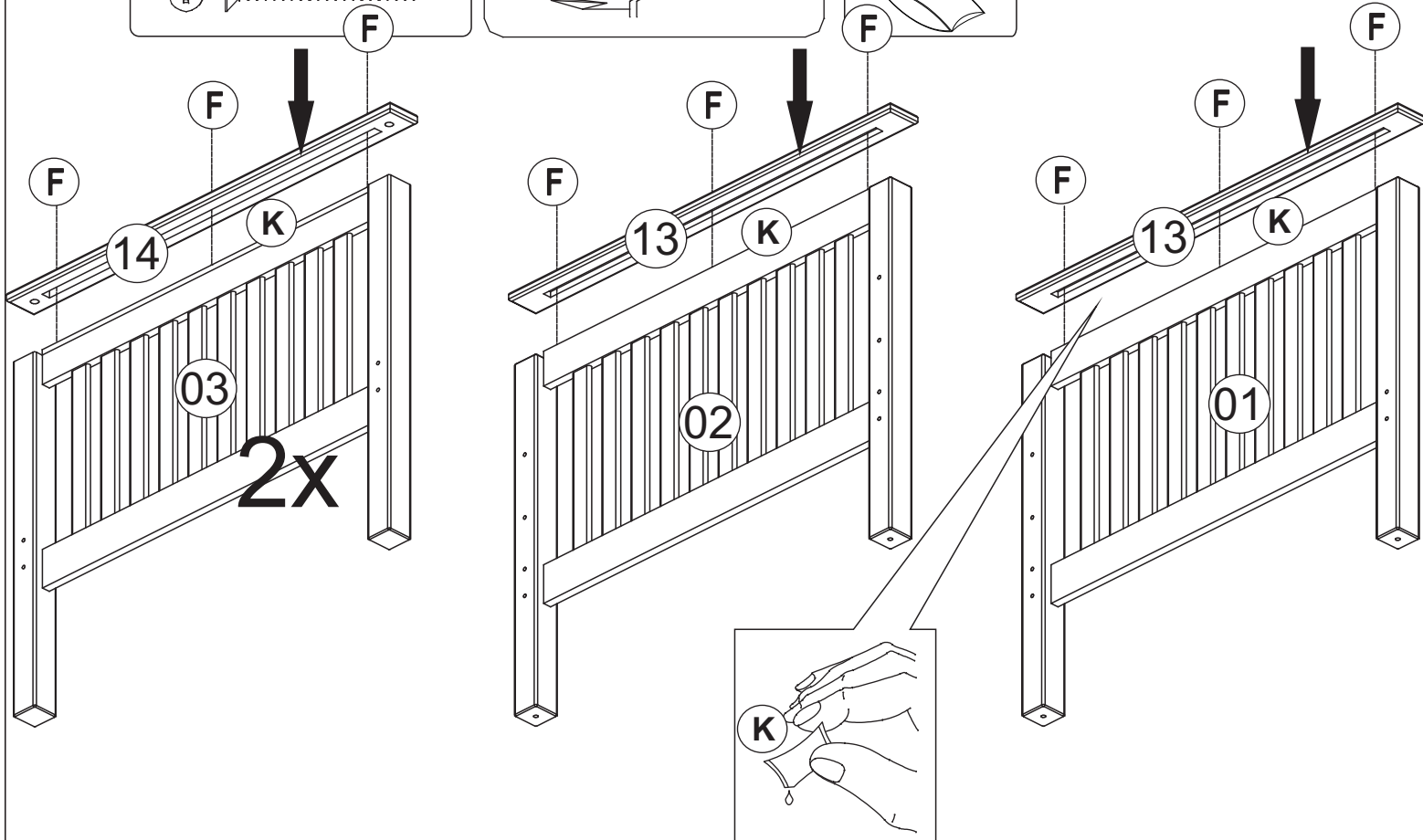


2)

F - 4,0 x 35 mm - 12x

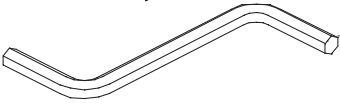


K - 2x

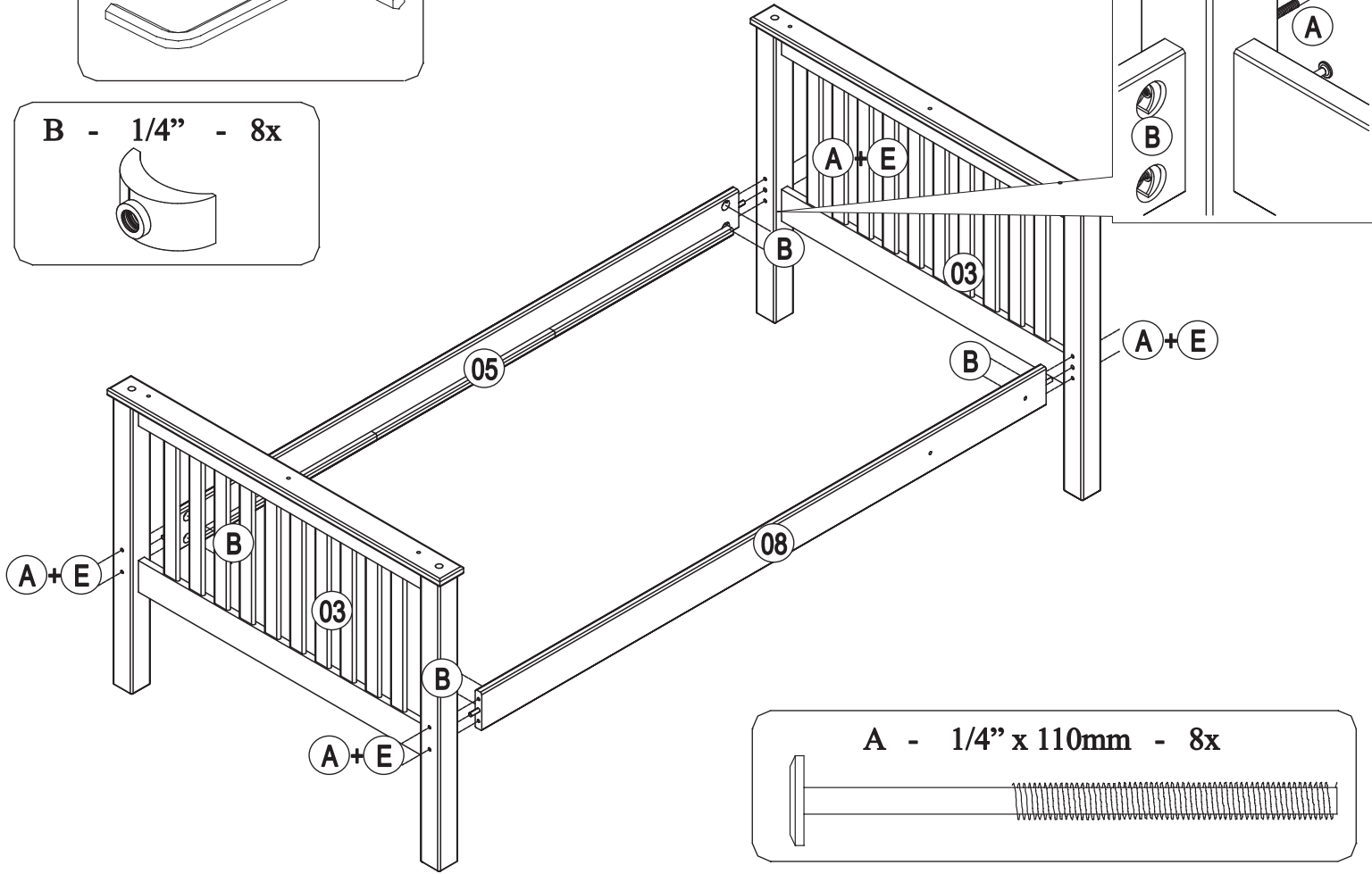
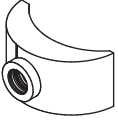


3)

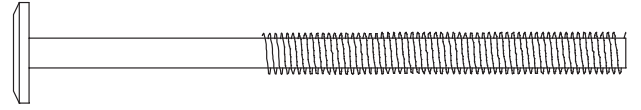
E - 4,0mm - 1x



B - 1/4" - 8x



A - 1/4" x 110mm - 8x

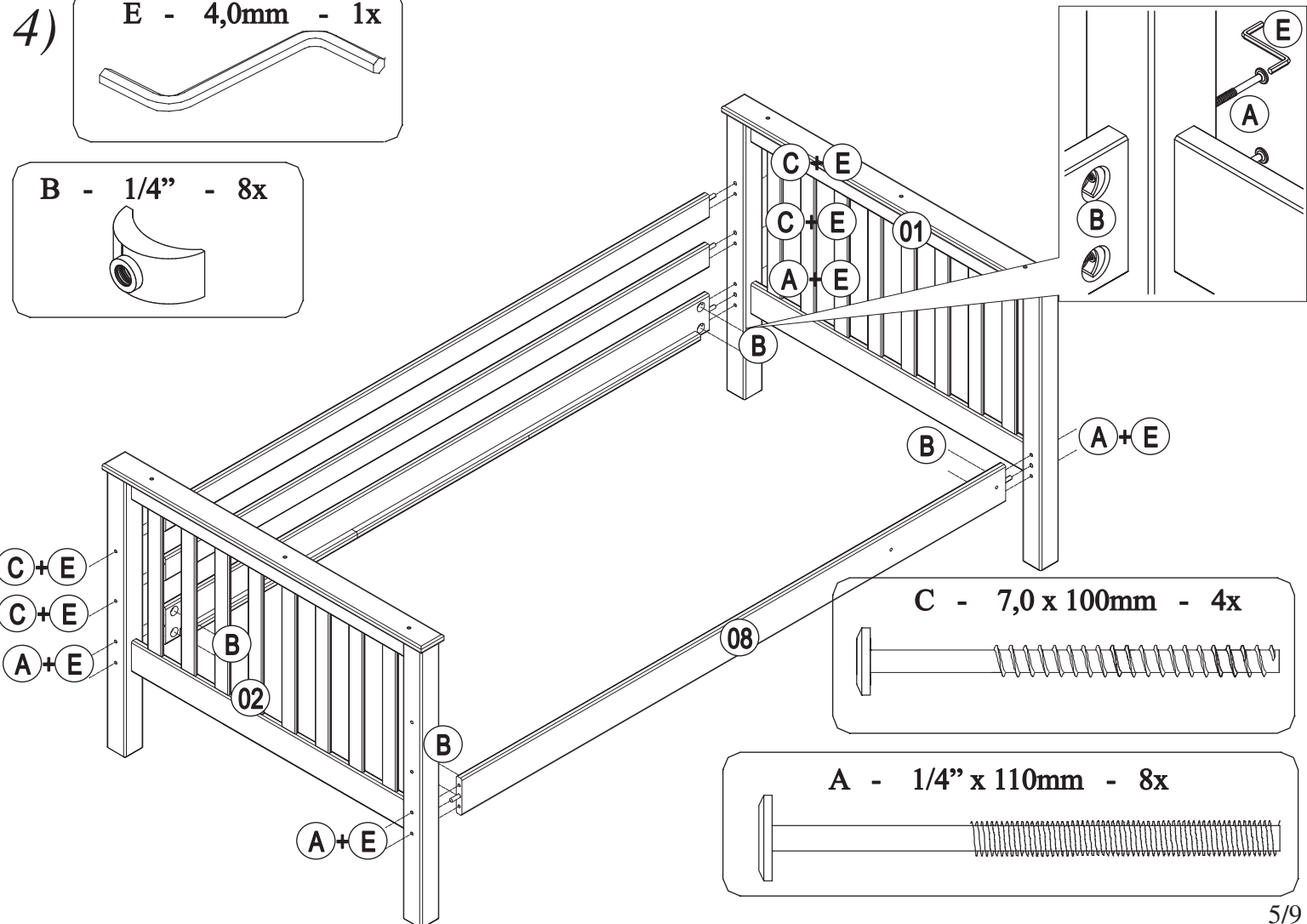


4)

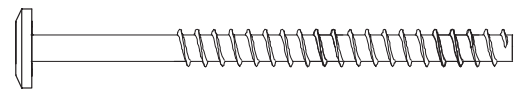
E - 4,0mm - 1x



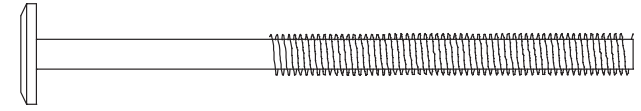
B - 1/4" - 8x



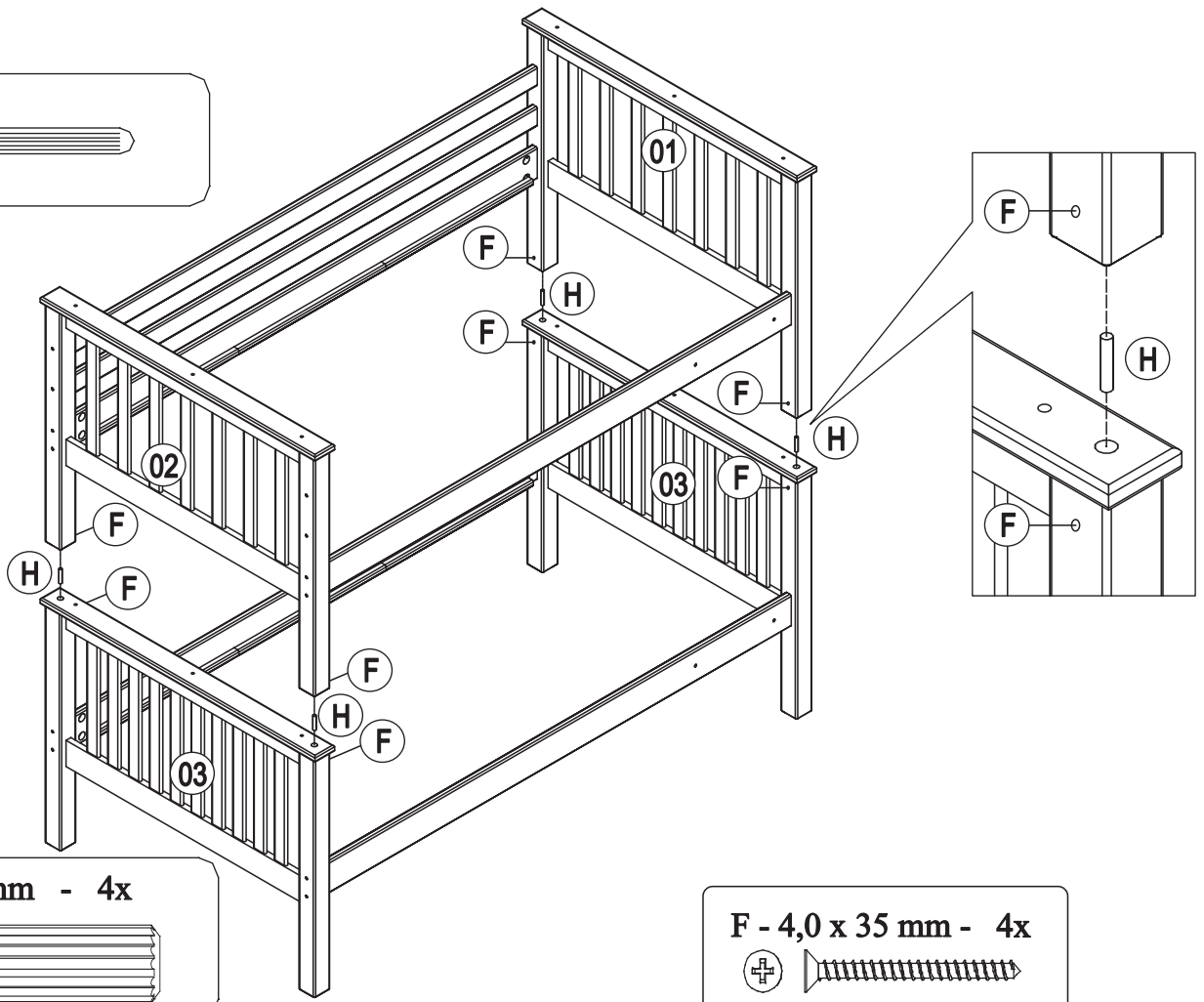
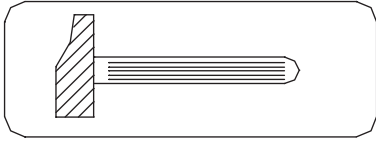
C - 7,0 x 100mm - 4x



A - 1/4" x 110mm - 8x



5)



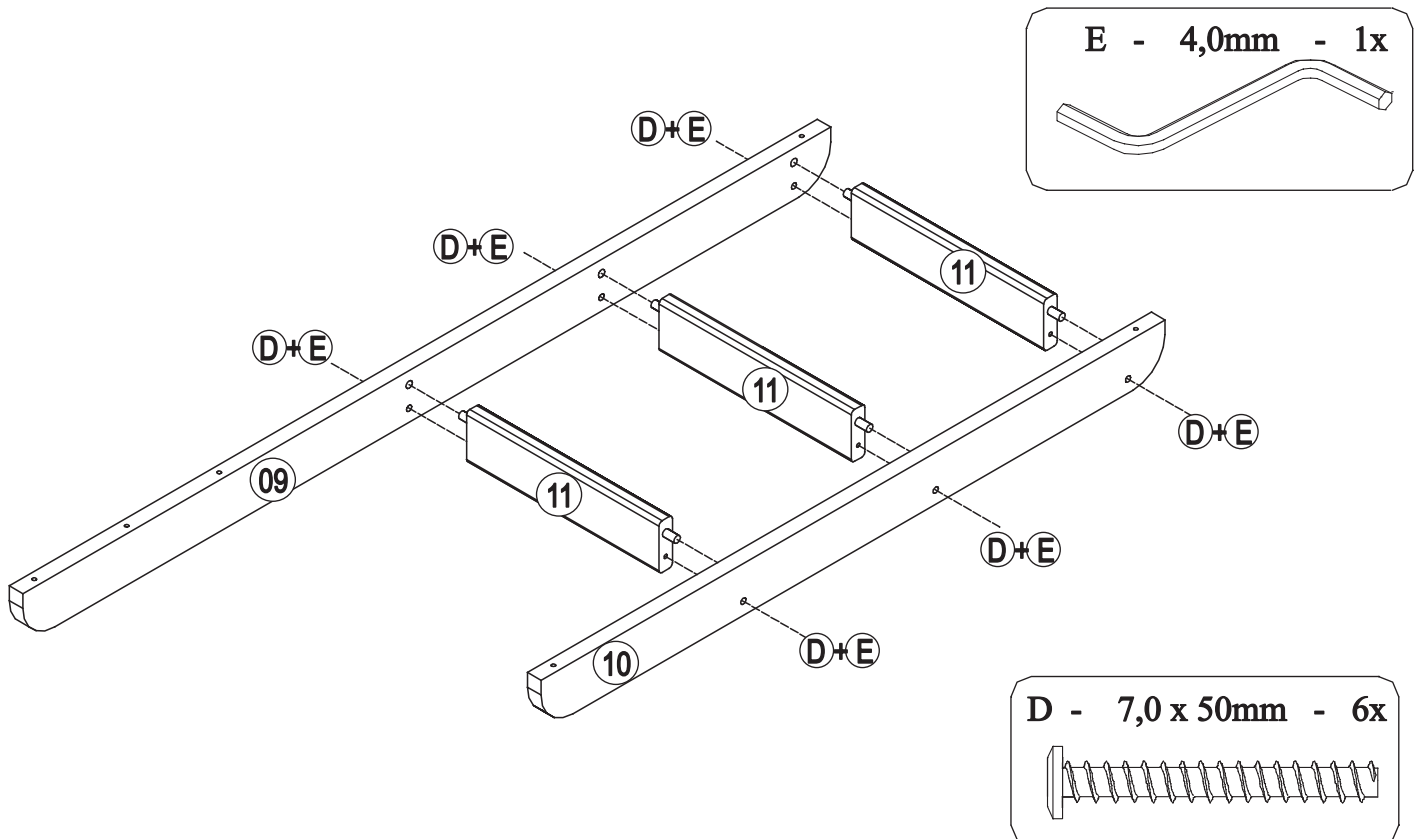
H - 15 x 90mm - 4x



F - 4,0 x 35 mm - 4x



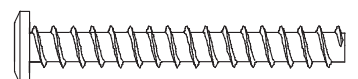
6)



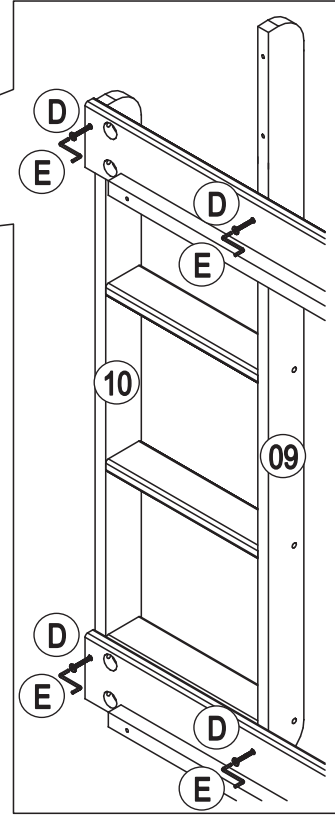
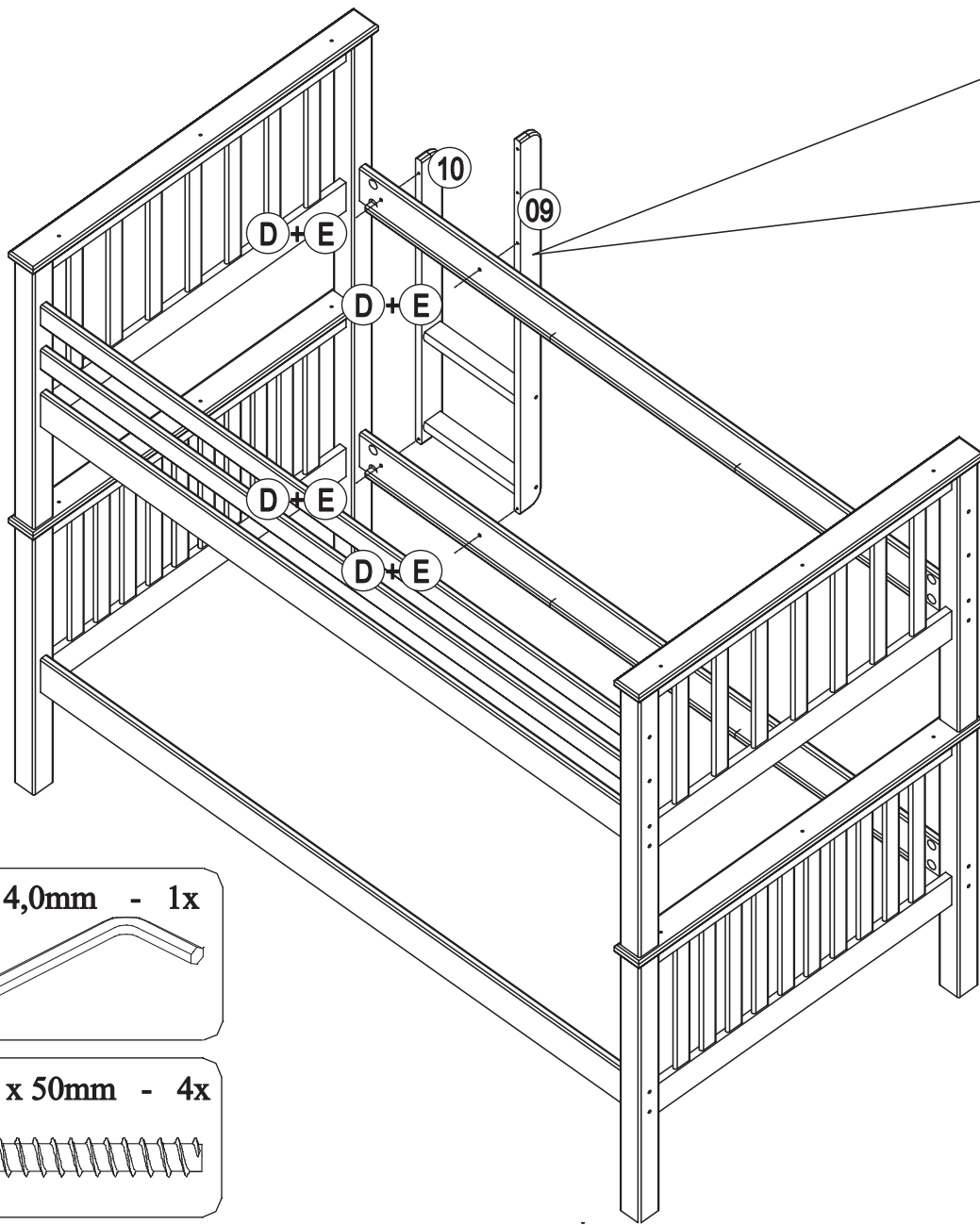
E - 4,0mm - 1x



D - 7,0 x 50mm - 6x



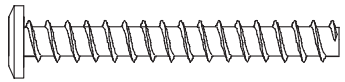
7)



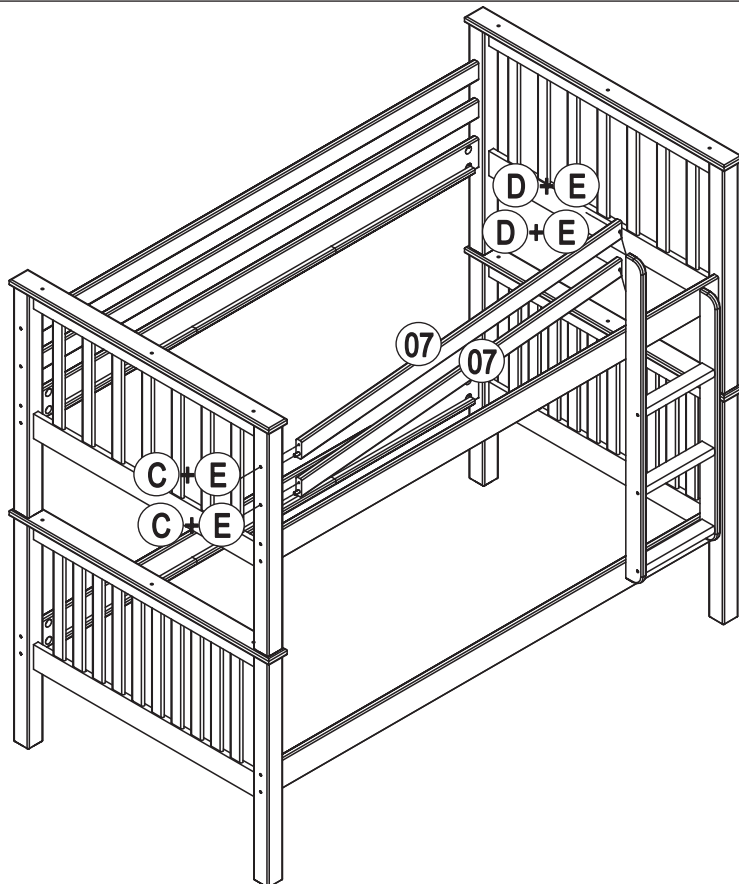
E - 4,0mm - 1x



D - 7,0 x 50mm - 4x



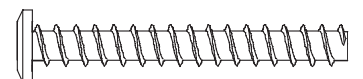
8)



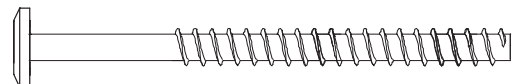
E - 4,0mm - 1x



D - 7,0 x 50mm - 2x

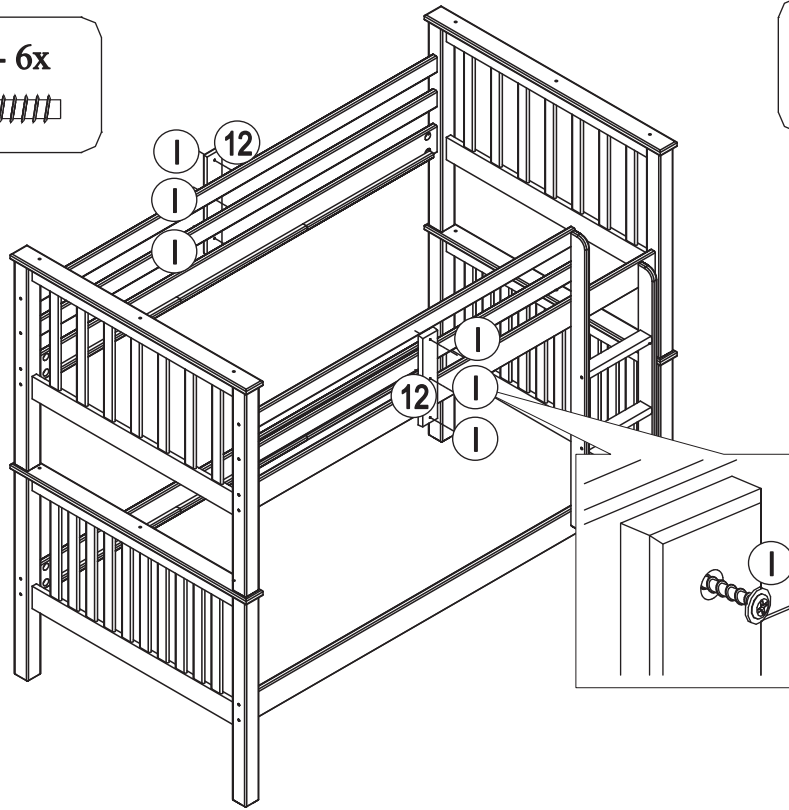
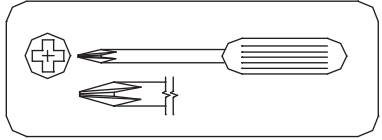
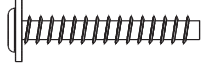


C - 7,0 x 100mm - 2x



9)

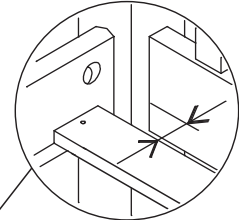
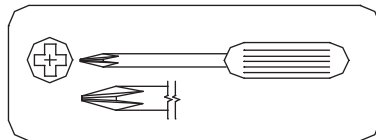
I - 4,0 x 35 mm - 6x



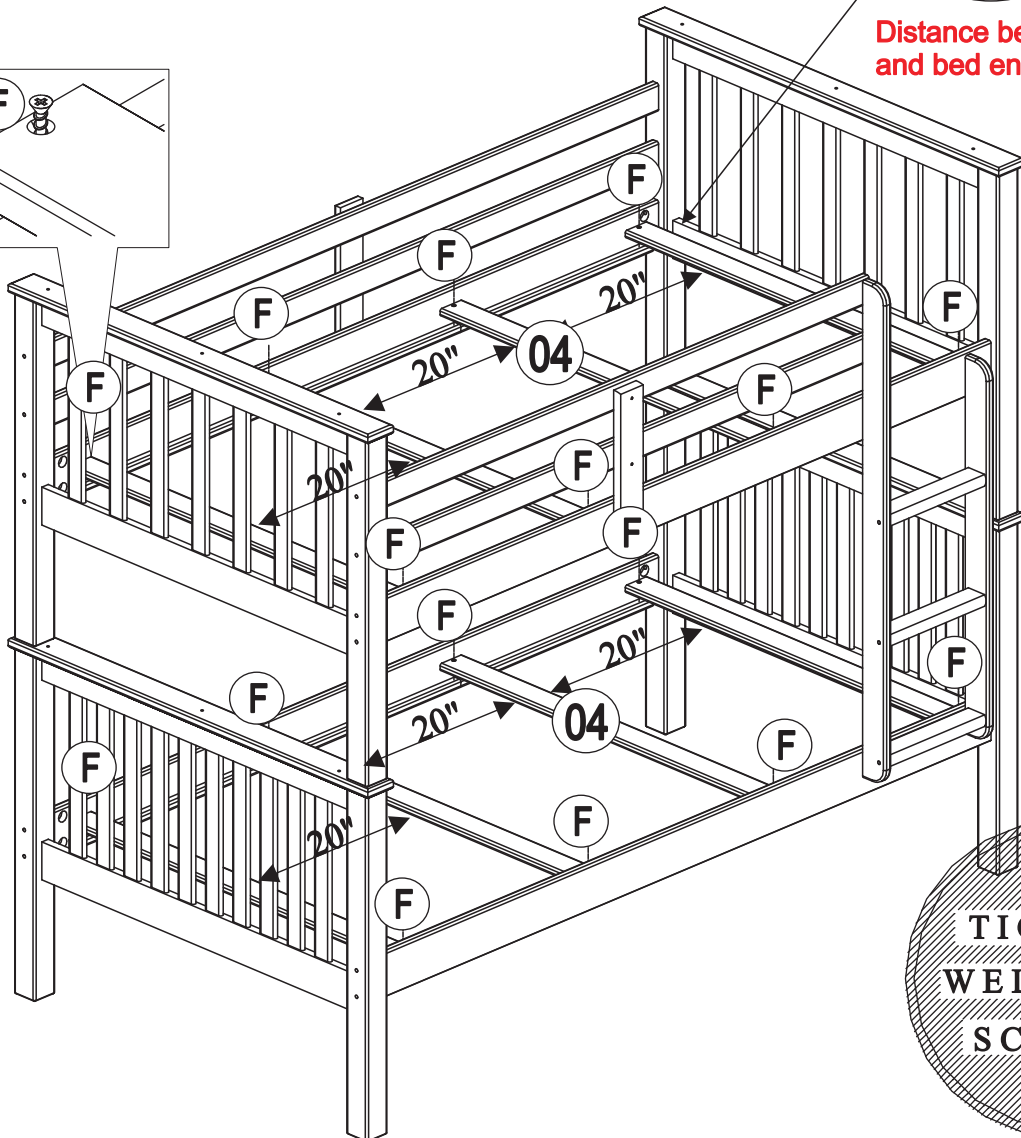
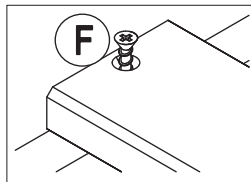
10)

BASE SLATS CONFIGURATION
BUNKIE BOARD OR 13-SLAT KIT FOUNDATION MUST BE USED

F - 4,0 x 35 mm - 16x



Distance between slat and bed end must be 3"

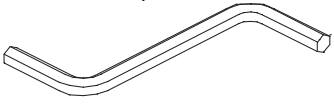


TIGHTEN WELL ALL SCREWS.

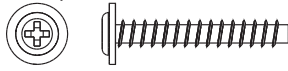
WHEN USING BUNK BED AS 2 TWINS FOLLOW THESE STEPS

11)

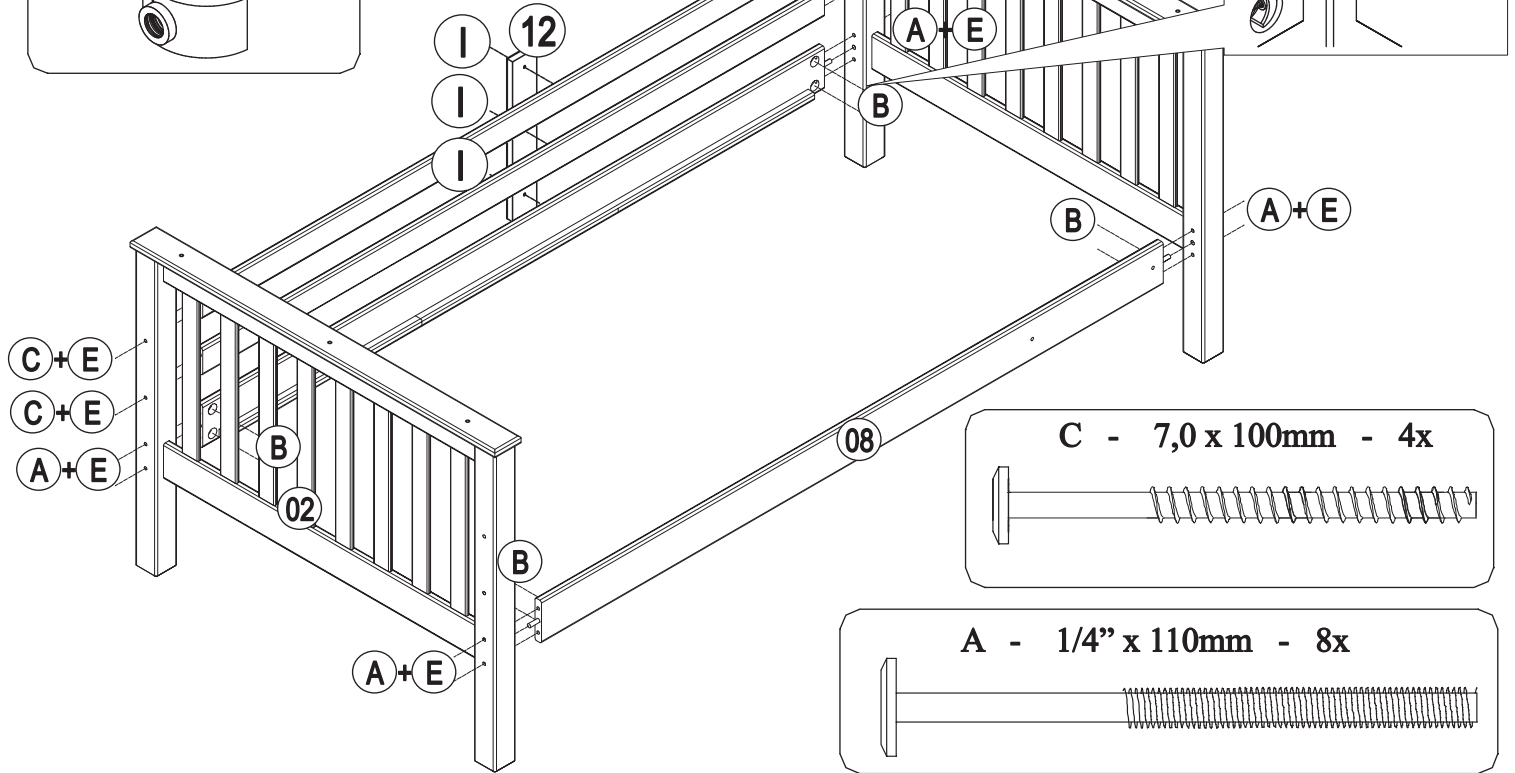
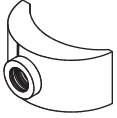
E - 4,0mm - 1x



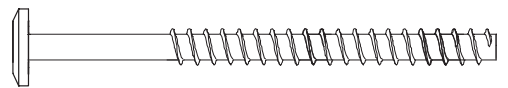
I - 4,0 x 35 mm - 6x



B - 1/4" - 8x



C - 7,0 x 100mm - 4x

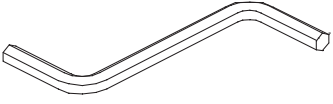


A - 1/4" x 110mm - 8x

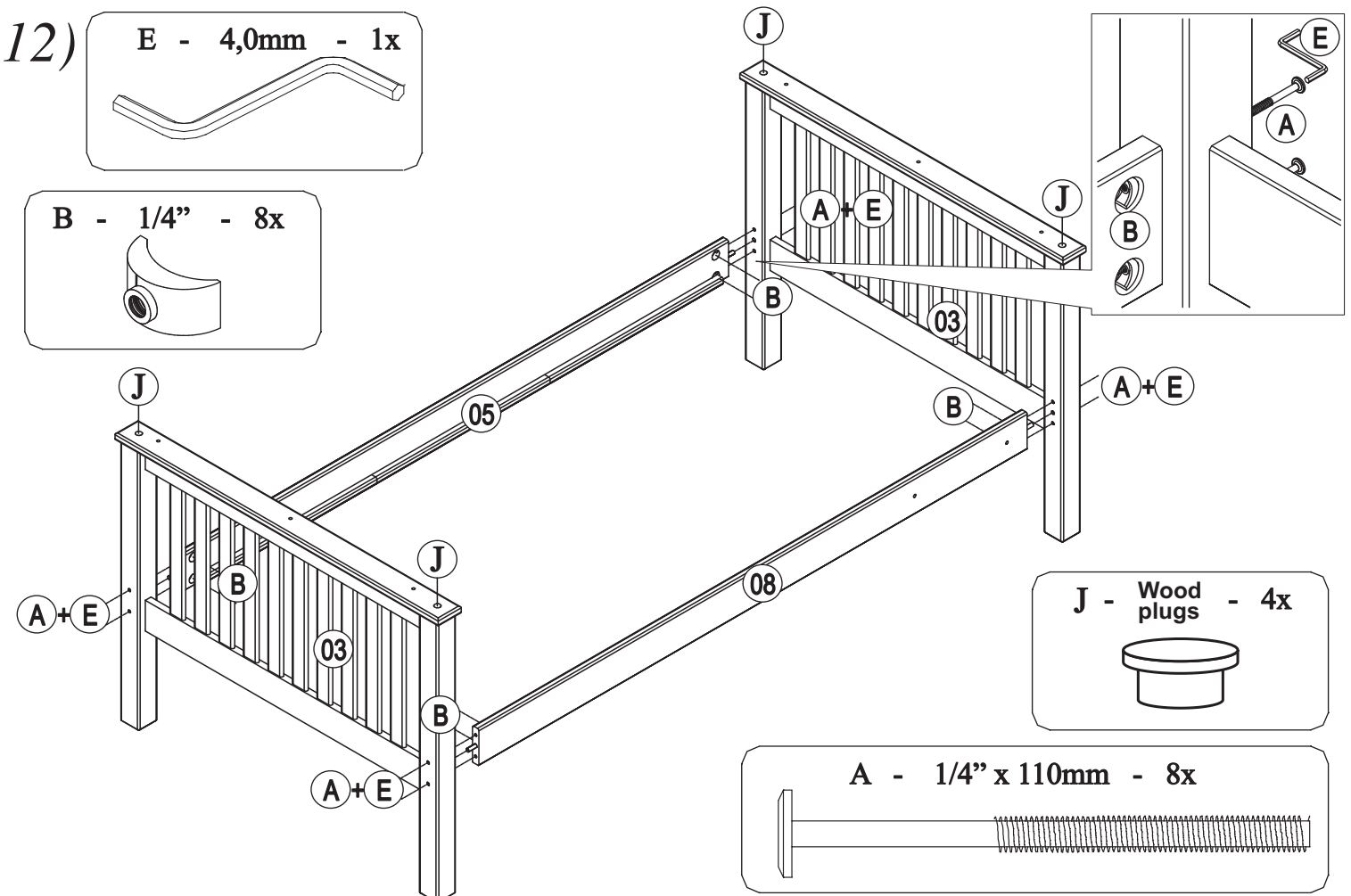
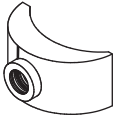


12)

E - 4,0mm - 1x



B - 1/4" - 8x



J - Wood plugs - 4x



A - 1/4" x 110mm - 8x

