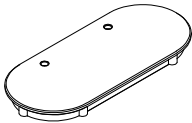



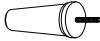


ASSEMBLY INSTRUCTIONS

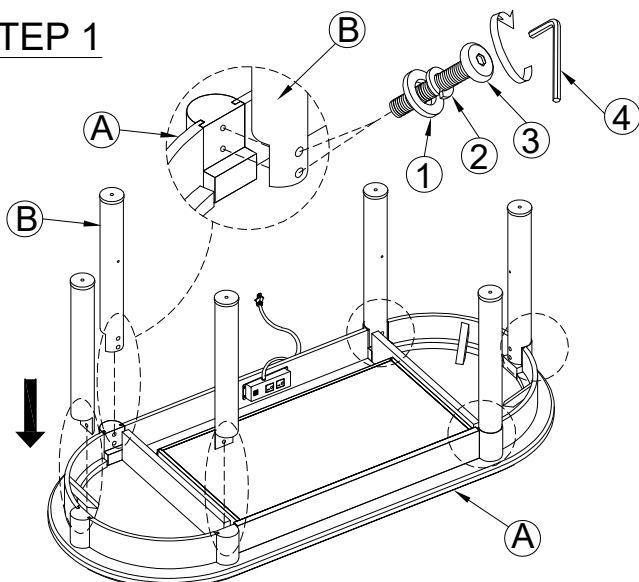
MODEL # : 338-718 JR EXECUTIVE DESK 60" (V#12600HVMY)

NOTE: KEEP THIS DOCUMENT FOR REFERENCE IN CASE PARTS ARE NEEDED
DO NOT TIGHTEN SCREWS UNTIL COMPLETELY ASSEMBLED!!
UNIT SHOULD BE ASSEMBLED BY TWO OR MORE PEOPLE.

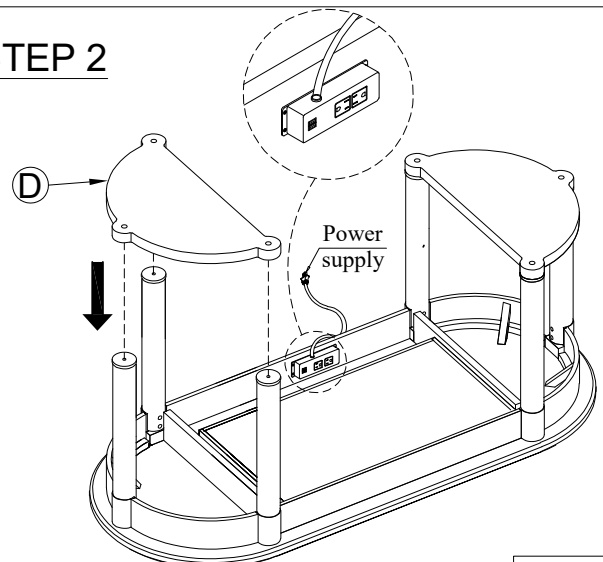
No	PART LIST		Q'TY
A		EXECUTIVE DESK TOP	1PC
B		LEGS UNDER	6PCS
C		SHELF	2PCS
D		SHELF BOTTOM	2PCS
E		LEGS	6PCS

No	HARDWARE LIST		Q'TY	
1		FLAT WASHER	ø5/16 x 19 x 1.5mm	8PCS
2		LOCK WASHER	ø5/16 x 13 x 1mm	8PCS
3		ALLEN BOLT	ø5/16 x 3"	8PCS
4		ALLEN KEY	2-3/8 x 4mm	1PC
5		SHELF PIN		6PCS
6		SCREW	Ø8*1/2"	6PCS
7		METAL WIRE GROMMET		2PCS

STEP 1



STEP 2

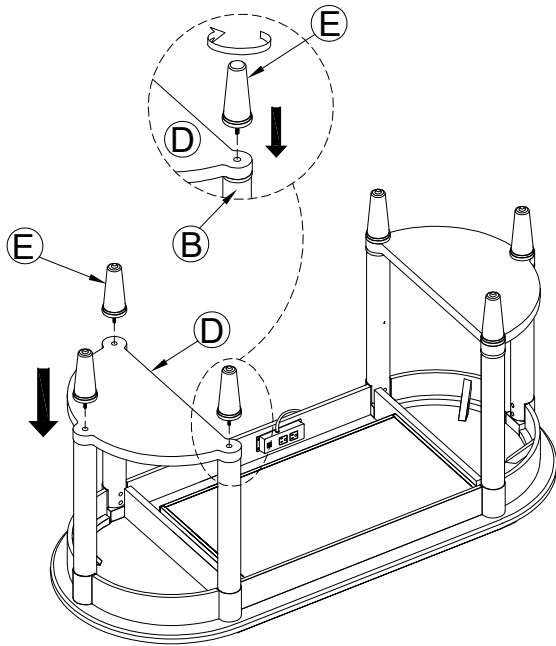


ASSEMBLY INSTRUCTIONS

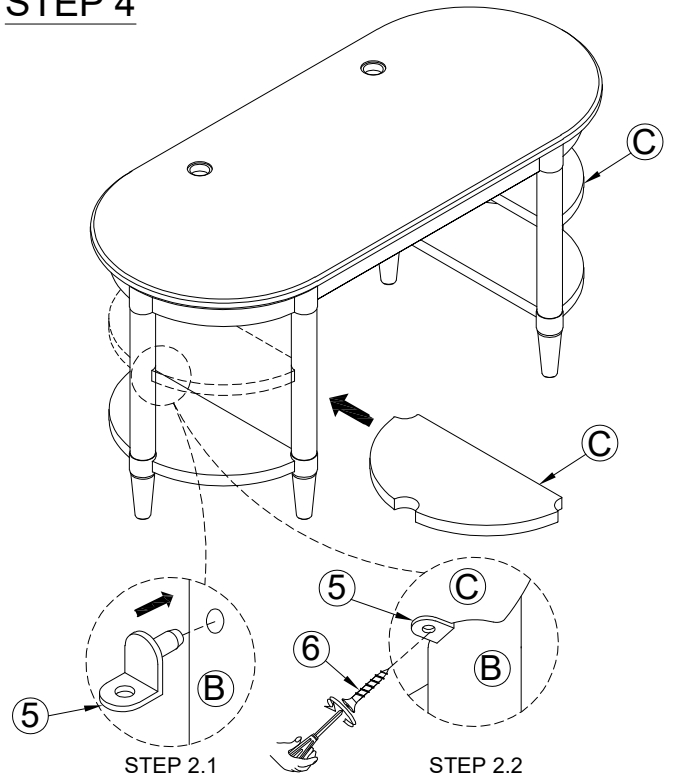
MODEL # : 338-718 JR EXECUTIVE DESK 60" (V#12600HMVY)

NOTE: KEEP THIS DOCUMENT FOR REFERENCE IN CASE PARTS ARE NEEDED
DO NOT TIGHTEN SCREWS UNTIL COMPLETELY ASSEMBLED!!
UNIT SHOULD BE ASSEMBLED BY TWO OR MORE PEOPLE.

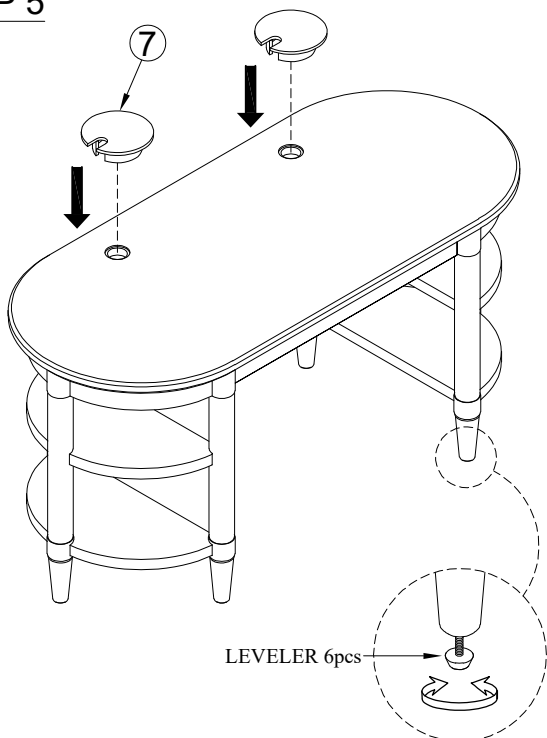
STEP 3



STEP 4



STEP 5



COMPLETED

