

ASSEMBLY INSTRUCTIONS

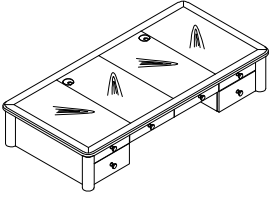

MODEL # : 338-716

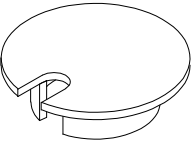
5-DRAWER DESK

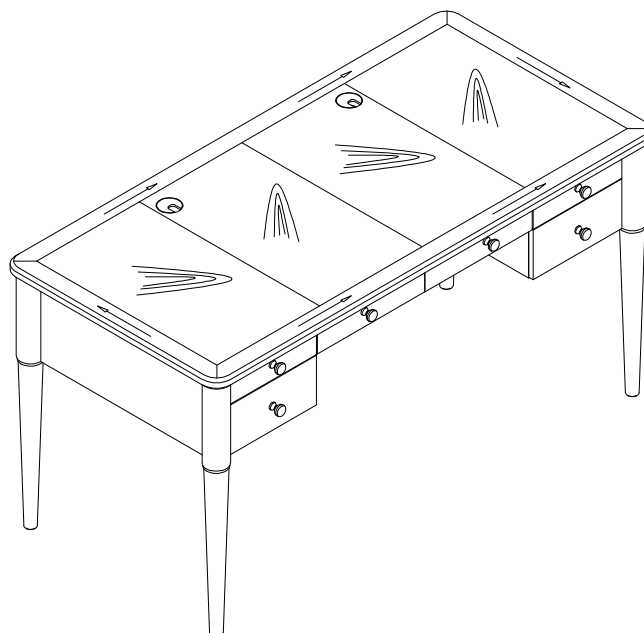
(V#12600HMOVY)

NOTE: KEEP THIS DOCUMENT FOR REFERENCE IN CASE PARTS ARE NEEDED
DO NOT TIGHTEN SCREWS UNTIL COMPLETELY ASSEMBLED!!

UNIT SHOULD BE ASSEMBLED BY TWO OR MORE PEOPLE.

No	PART LIST		Q'TY
A		5-DRAWER DESK TOP	1PC
B		LEGS	4PCS

No	HARDWARE LIST		Q'TY
1		METAL WIRE GROMMET	2PCS



ASSEMBLY INSTRUCTIONS

MODEL # : 338-716

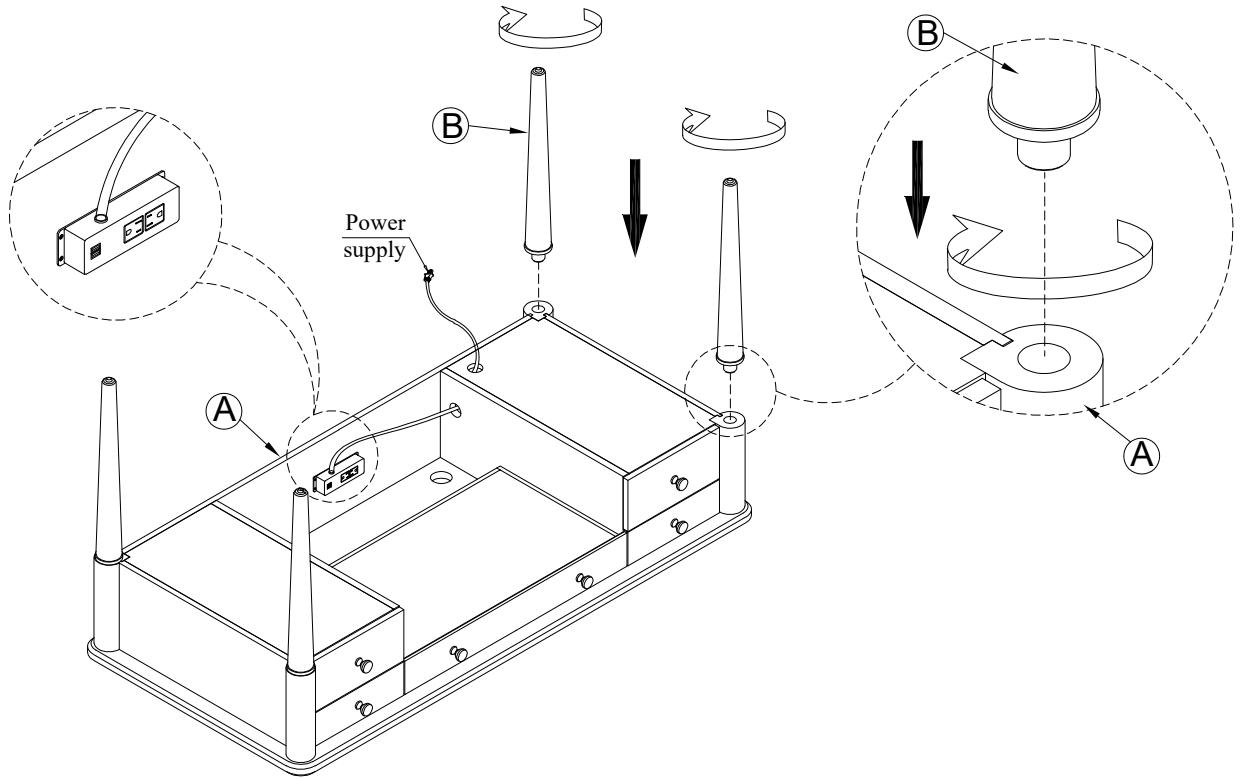
5-DRAWER DESK

(V#12600HMVY)

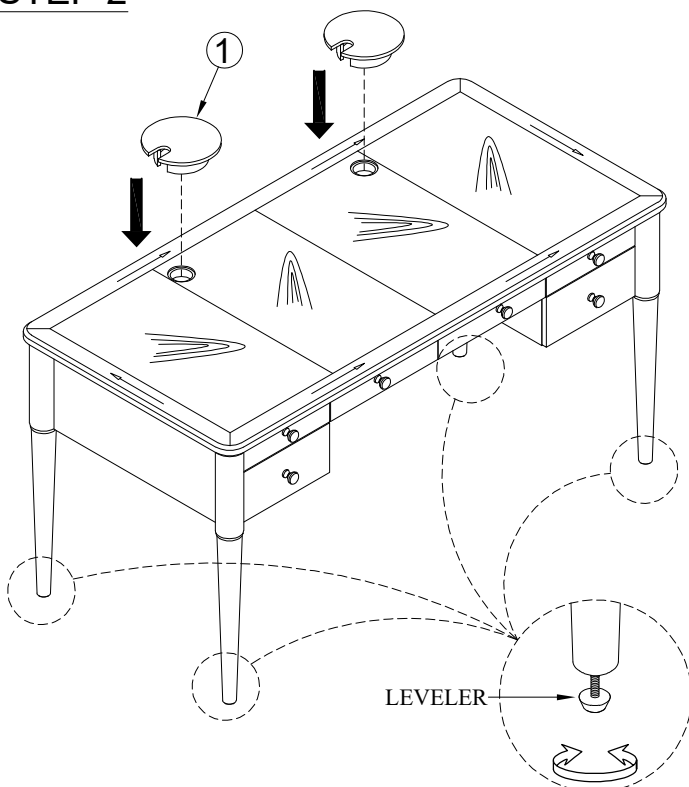
NOTE: KEEP THIS DOCUMENT FOR REFERENCE IN CASE PARTS ARE NEEDED
DO NOT TIGHTEN SCREWS UNTIL COMPLETELY ASSEMBLED!!

UNIT SHOULD BE ASSEMBLED BY TWO OR MORE PEOPLE.

STEP 1



STEP 2



COMPLETED

