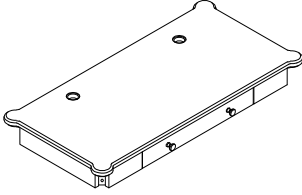
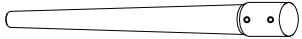



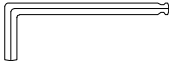
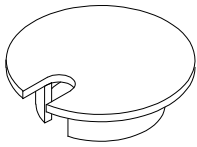


# ASSEMBLY INSTRUCTIONS

**MODEL # : 338-715      WRITING DESK      (V#12600HMVY)**  
**MODEL # : 338-715-W      WRITING DESK-WHITE      (V#12600HMVY)**

**NOTE: KEEP THIS DOCUMENT FOR REFERENCE IN CASE PARTS ARE NEEDED**  
**DO NOT TIGHTEN SCREWS UNTIL COMPLETELY ASSEMBLED!!**  
**UNIT SHOULD BE ASSEMBLED BY TWO OR MORE PEOPLE.**

<b>No</b>	<b>PART LIST</b>		<b>Q'TY</b>
A		WRITING DESK TOP	1PC
B		LEGS	4PCS

<b>No</b>	<b>HARDWARE LIST</b>			<b>Q'TY</b>
1		FLAT WASHER	$\varnothing 5/16 \times 19 \times 1.5\text{mm}$	8PCS
2		LOCK WASHER	$\varnothing 5/16 \times 13 \times 1\text{mm}$	8PCS
3		ALLEN BOLT	$\varnothing 5/16 \times 3"$	8PCS
4		ALLEN KEY	$2-3/8 \times 4\text{mm}$	1PC
5		METAL WIRE GROMMET		2PCS

# ASSEMBLY INSTRUCTIONS

MODEL # : 338-715

WRITING DESK

(V#12600HMYV)

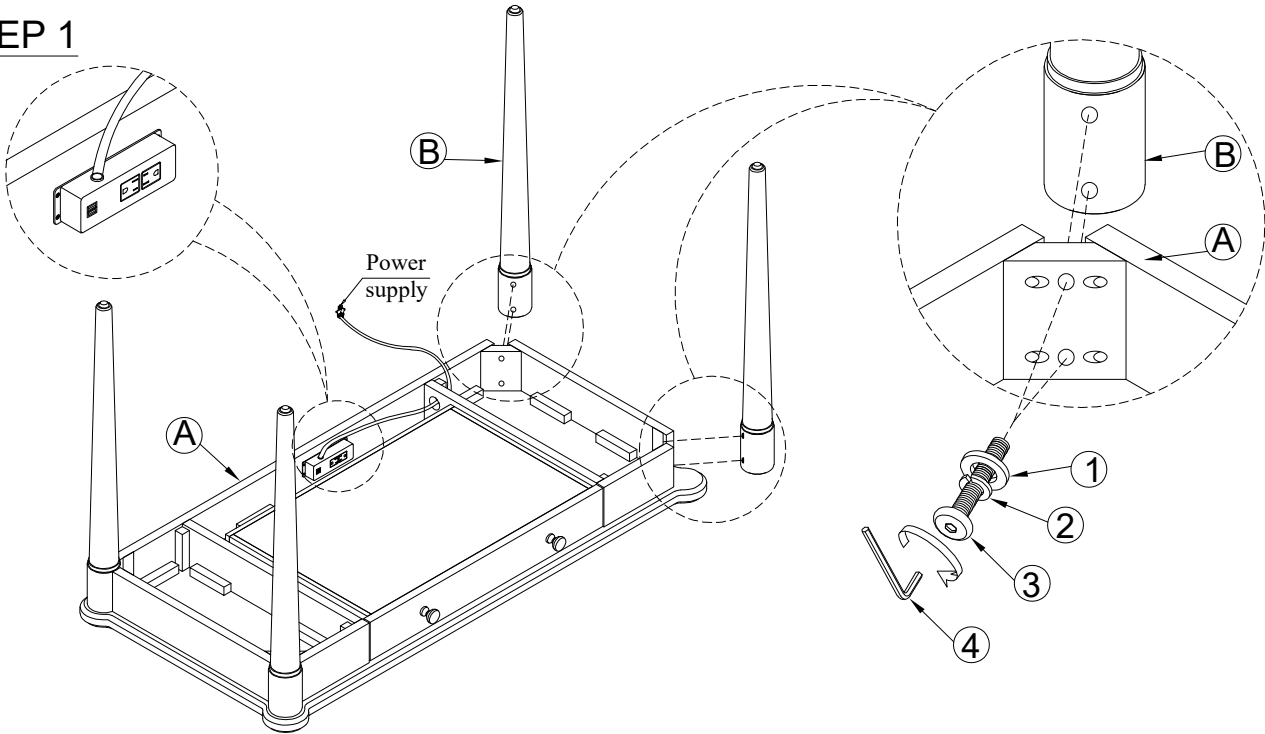
MODEL # : 338-715-W

WRITING DESK-WHITE

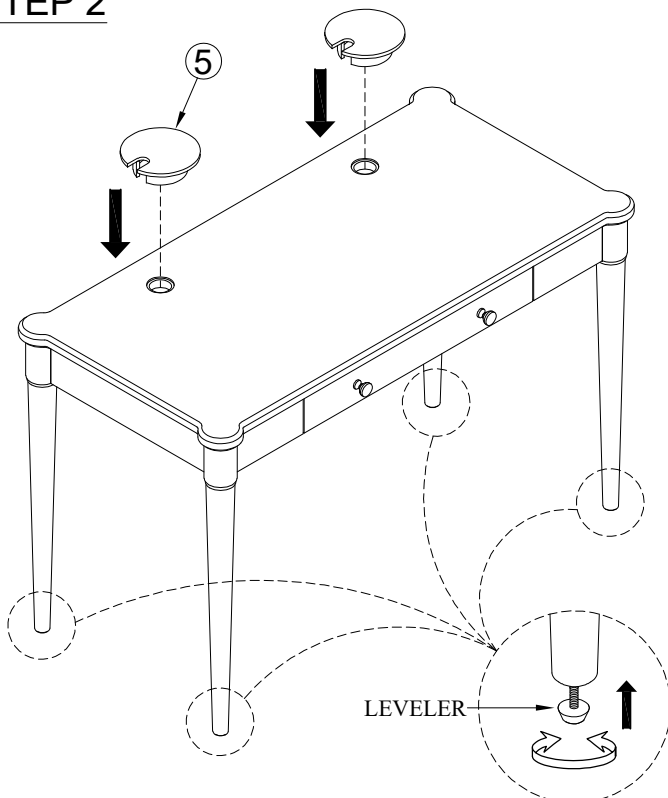
(V#12600HMYV)

NOTE: KEEP THIS DOCUMENT FOR REFERENCE IN CASE PARTS ARE NEEDED  
DO NOT TIGHTEN SCREWS UNTIL COMPLETELY ASSEMBLED!!  
UNIT SHOULD BE ASSEMBLED BY TWO OR MORE PEOPLE.

## STEP 1



## STEP 2



## COMPLETED

