
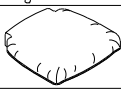
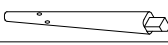
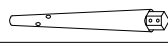
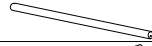








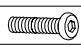
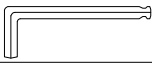
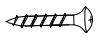
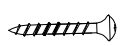
ASSEMBLY INSTRUCTIONS

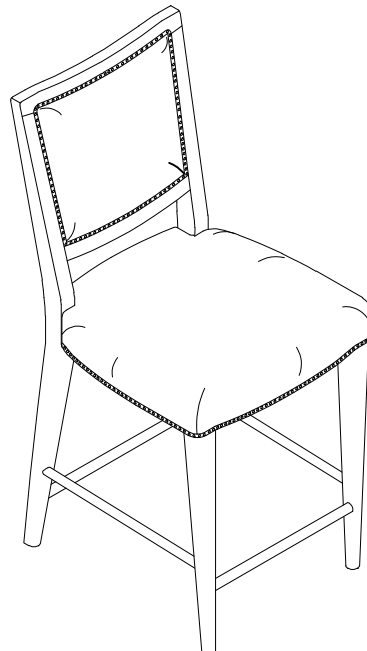
MODEL # : 338- 540 COUNTER STOOL

(V#12600HMOVY)

NOTE: KEEP THIS DOCUMENT FOR REFERENCE IN CASE PARTS ARE NEEDED
DO NOT TIGHTEN SCREWS UNTIL COMPLETELY ASSEMBLED!!
UNIT SHOULD BE ASSEMBLED BY TWO OR MORE PEOPLE.

No	PART LIST		Q'TY
A		BACK FRAME	1PC
B		SEAT FRAME	1PC
C		FRONT LEG (L)	1PC
D		FRONT LEG (R)	1PC
E		SIDE STRETCHER	2PCS
F		FRONT METAL STRETCHER	1PC

No	HARDWARE LIST		Q'TY	
1		FLAT WASHER	ø5/16 x 19 x 1.5mm	8PCS
2		LOCK WASHER	ø5/16 x 13 x 1mm	8PCS
3		ALLEN BOLT	ø5/16 x 2-1/2"	8PCS
4		FLAT WASHER	ø1/4 x 19 x 1.5mm	1PC
5		LOCK WASHER	ø1/4 x 13 x 1mm	1PC
6		ALLEN BOLT	ø1/4 x 1-3/4"	1PC
7		ALLEN KEY	2-3/8 x 4mm	1PC
8		SCREW	Ø8*3/4"	2PCS
9		SCREW	Ø8*1-1/4"	4PCS



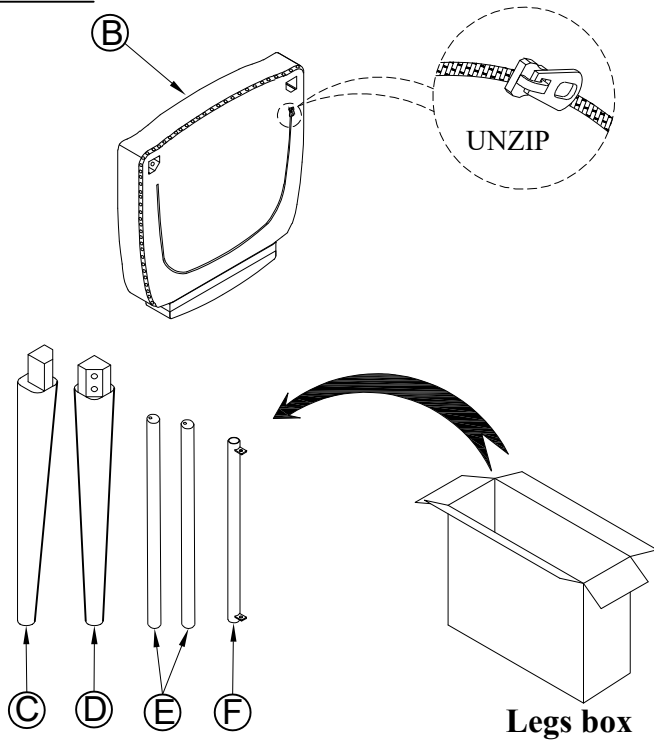
ASSEMBLY INSTRUCTIONS

MODEL # : 338- 540 COUNTER STOOL

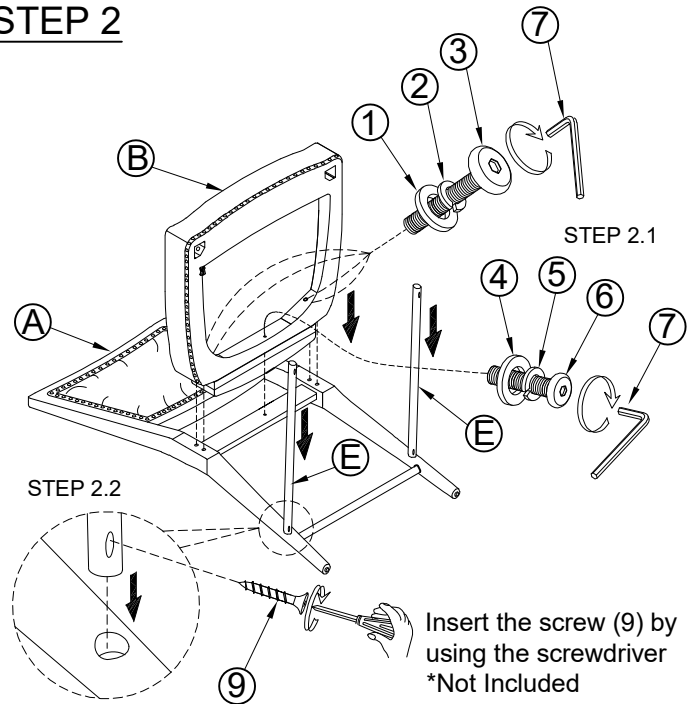
(V#12600HVMV)

NOTE: KEEP THIS DOCUMENT FOR REFERENCE IN CASE PARTS ARE NEEDED
DO NOT TIGHTEN SCREWS UNTIL COMPLETELY ASSEMBLED!!
UNIT SHOULD BE ASSEMBLED BY TWO OR MORE PEOPLE.

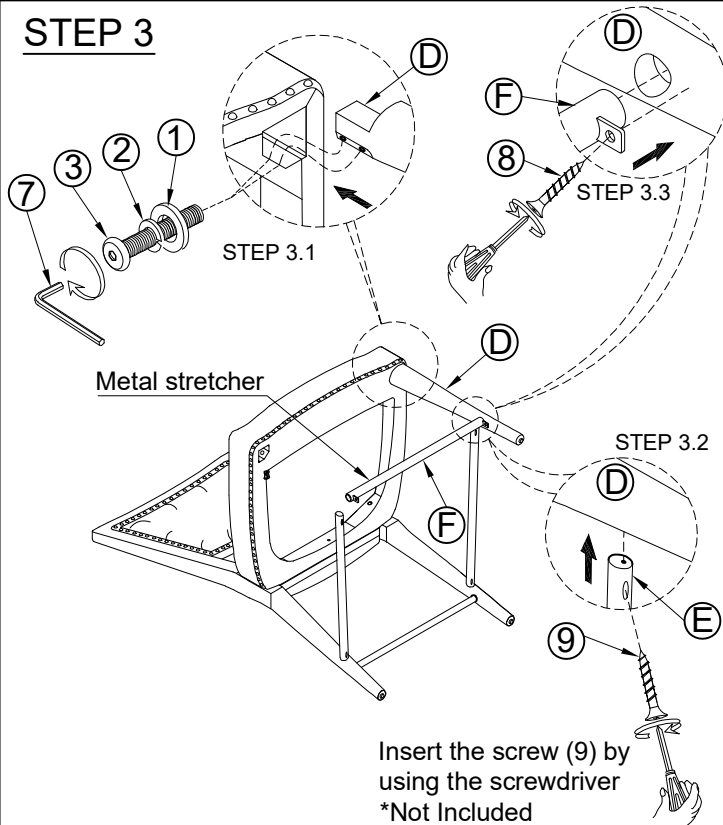
STEP 1



STEP 2



STEP 3



STEP 4

