


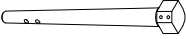
ASSEMBLY INSTRUCTIONS




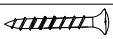
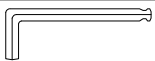

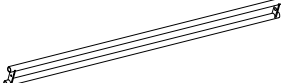
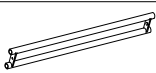
MODEL # : 338-527

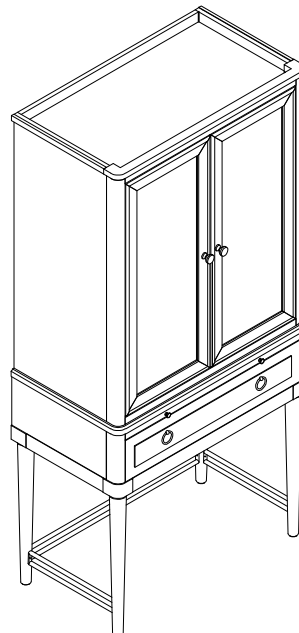
BAR

(V#12600HVMY)

NOTE: KEEP THIS DOCUMENT FOR REFERENCE IN CASE PARTS ARE NEEDED
DO NOT TIGHTEN SCREWS UNTIL COMPLETELY ASSEMBLED!!
UNIT SHOULD BE ASSEMBLED BY TWO OR MORE PEOPLE.

No	PART LIST		Q'TY
A		BAR	1PC
B		BACK LEGS	2PCS
C		FRONT LEG (R)	1PC
D		FRONT LEG (L)	1PC

No	HARDWARE LIST		Q'TY
1		FLAT WASHER	8PCS
2		LOCK WASHER	8PCS
3		ALLEN BOLT	8PCS
4		SCREW	6PCS
5		ALLEN KEY	1PC
6		Furniture Tipping Restraint (Not included screwdriver)	1SET
7		BACK METAL STRETCHER	1PC
8		SIDE METAL STRETCHER	2PCS



ASSEMBLY INSTRUCTIONS

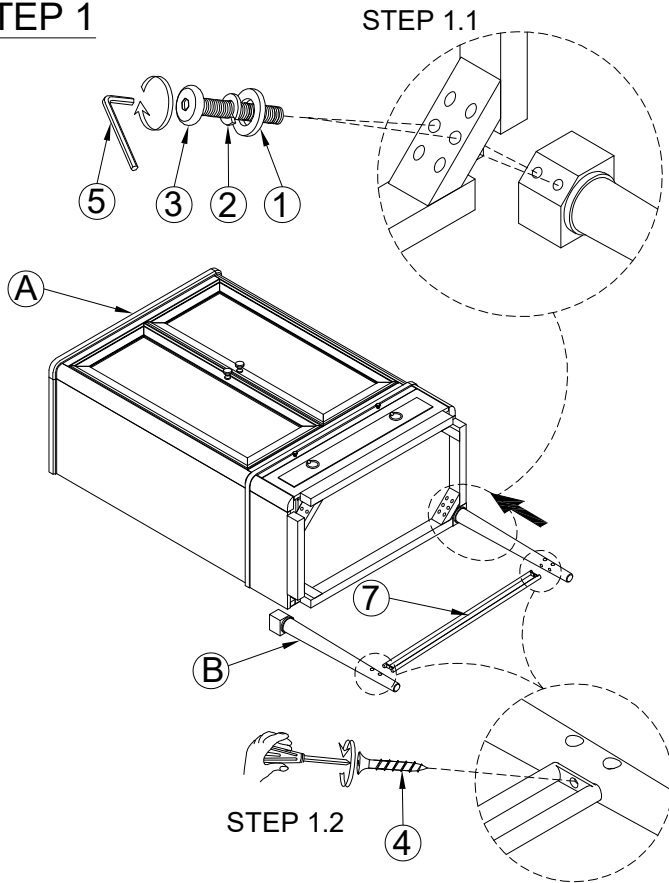
MODEL # : 338-527

BAR

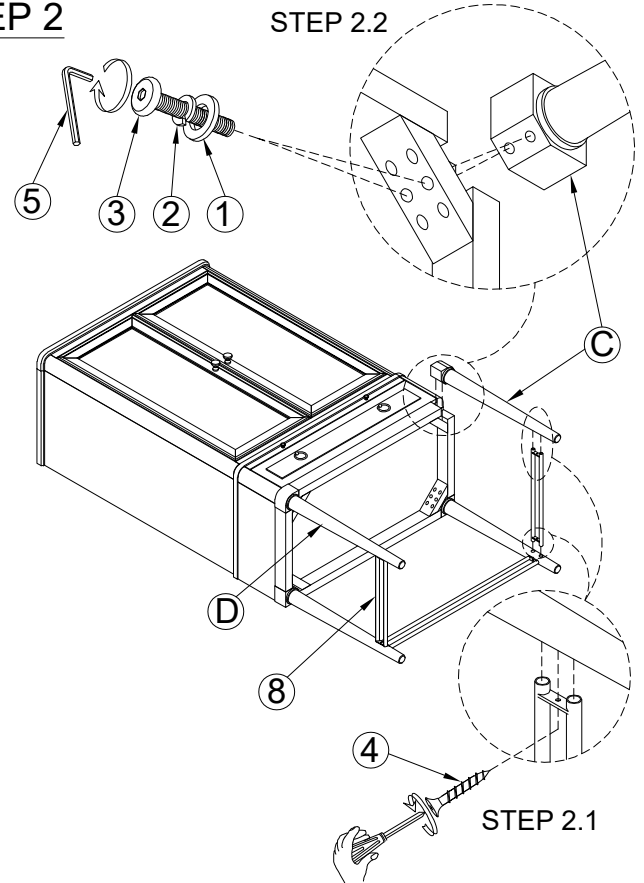
(V#12600HVMY)

NOTE: KEEP THIS DOCUMENT FOR REFERENCE IN CASE PARTS ARE NEEDED
DO NOT TIGHTEN SCREWS UNTIL COMPLETELY ASSEMBLED!!
UNIT SHOULD BE ASSEMBLED BY TWO OR MORE PEOPLE.

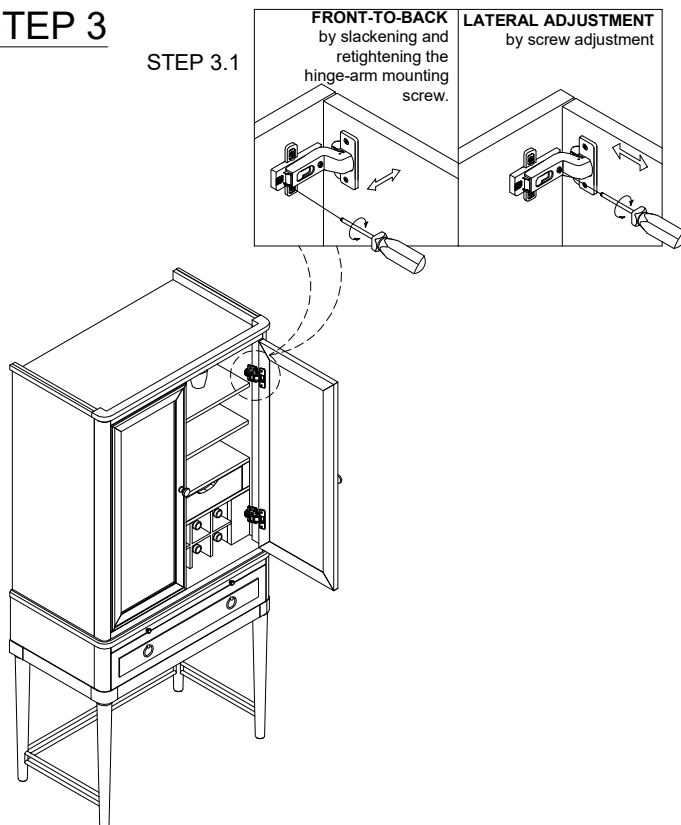
STEP 1



STEP 2



STEP 3



STEP 4

