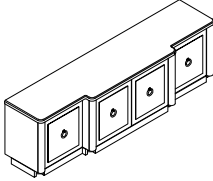
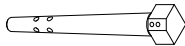







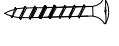





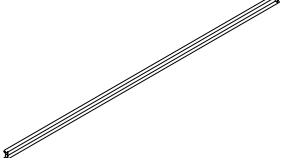
ASSEMBLY INSTRUCTIONS

MODEL # : 338- 525-O BREAKFRONT SIDEBOARD-OCEAN (V#12600HMVY)

MODEL # : 338- 525-W BREAKFRONT SIDEBOARD-WHITE (V#12600HMVY)

NOTE: KEEP THIS DOCUMENT FOR REFERENCE IN CASE PARTS ARE NEEDED
DO NOT TIGHTEN SCREWS UNTIL COMPLETELY ASSEMBLED!!
UNIT SHOULD BE ASSEMBLED BY TWO OR MORE PEOPLE.

No	PART LIST		Q'TY
A		SIDE BOARD	1PC
B		BACK LEGS	2PCS
C		FRONT LEGS (R)	2PCS
D		FRONT LEGS (L)	2PCS

No	HARDWARE LIST		Q'TY
1		FLAT WASHER	$\varnothing 5/16 \times 19 \times 1.5\text{mm}$ 12PCS
2		LOCK WASHER	$\varnothing 5/16 \times 13 \times 1\text{mm}$ 12PCS
3		ALLEN BOLT	$\varnothing 5/16 \times 2-1/2''$ 12PCS
4		SCREW	$\varnothing 8 \times 3/4''$ 12PCS
5		ALLEN KEY	2-3/8 x 4mm 1PC
6		Furniture Tipping Restraint (Not included screwdriver)	1SET
7		MIDDLE FRONT METAL STRETCHER	1PC
8		SIDE FRONT METAL STRETCHER	2PCS
9		SIDE METAL STRETCHER	2PCS
10		BACK METAL STRETCHER	1PC

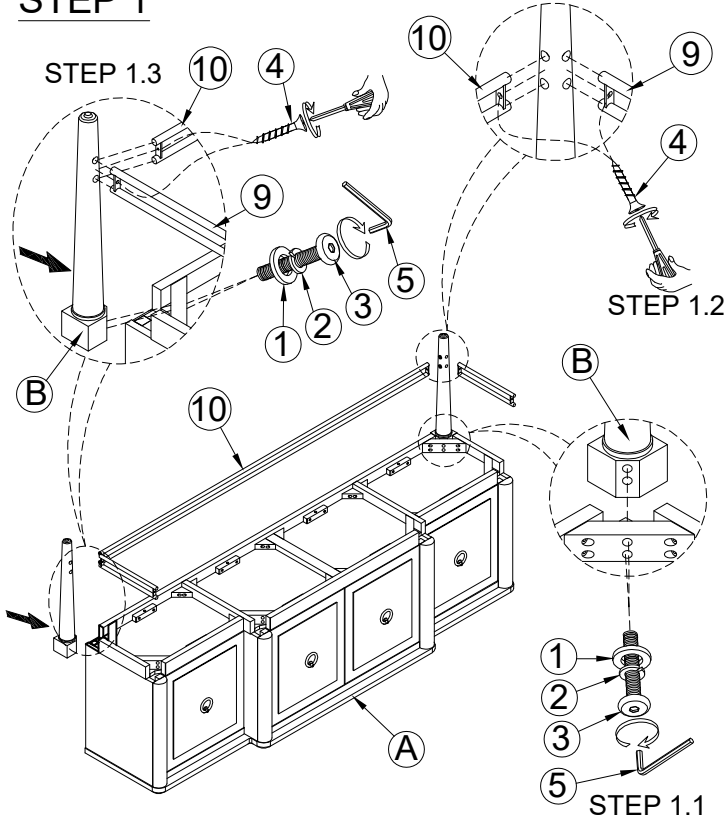
ASSEMBLY INSTRUCTIONS

MODEL # : 338- 525-O BREAKFRONT SIDEBOARD-OCEAN (V#12600HMYV)

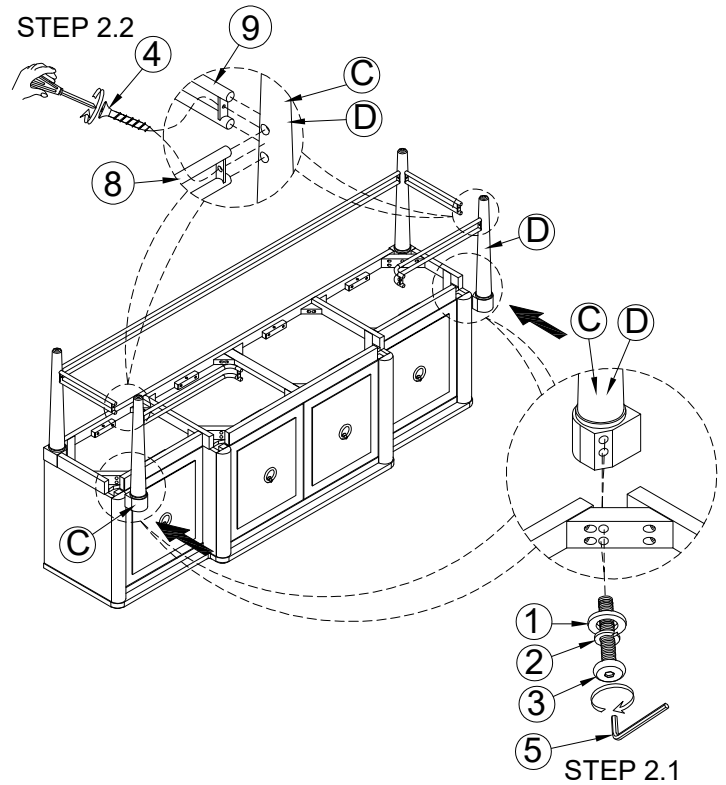
MODEL # : 338- 525-W BREAKFRONT SIDEBOARD-WHITE (V#12600HMYV)

NOTE: KEEP THIS DOCUMENT FOR REFERENCE IN CASE PARTS ARE NEEDED
DO NOT TIGHTEN SCREWS UNTIL COMPLETELY ASSEMBLED!!
UNIT SHOULD BE ASSEMBLED BY TWO OR MORE PEOPLE.

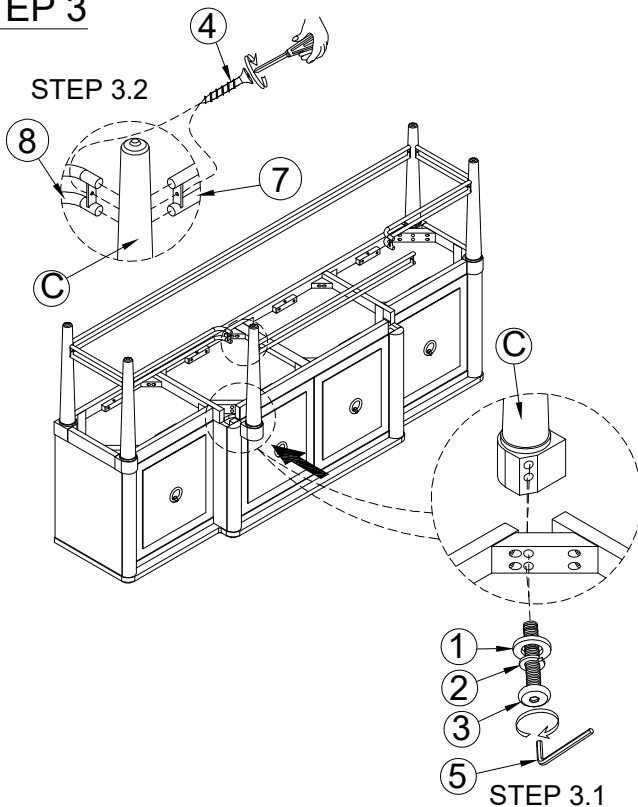
STEP 1



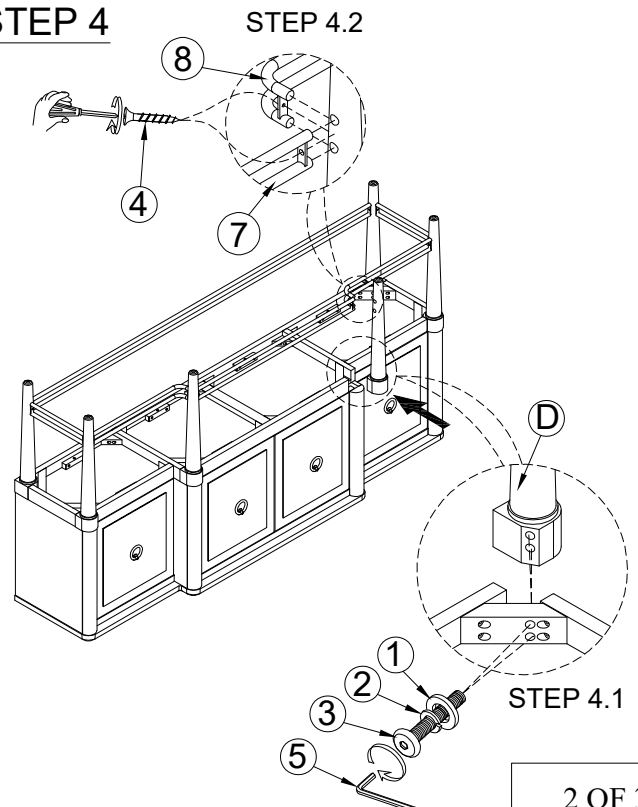
STEP 2



STEP 3



STEP 4



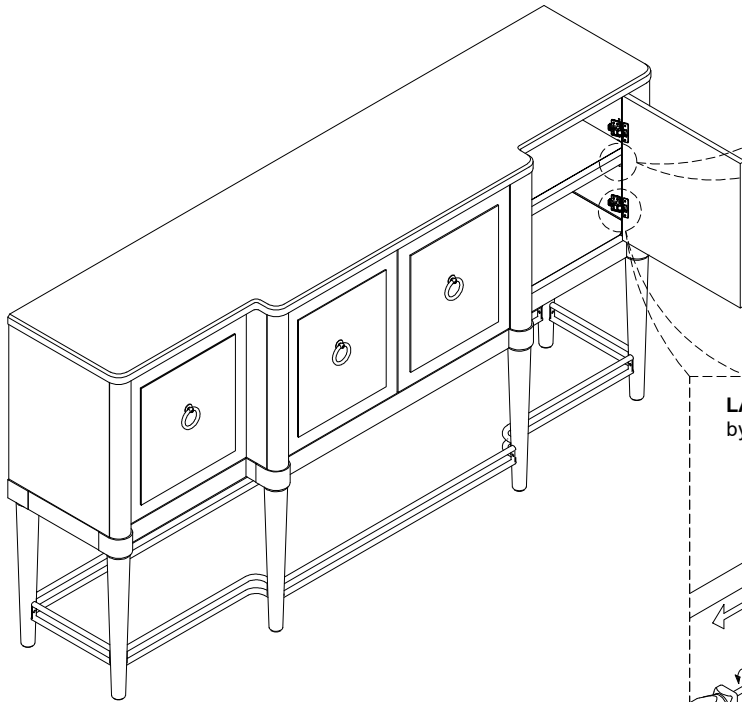
ASSEMBLY INSTRUCTIONS

MODEL # : 338- 525-O BREAKFRONT SIDEBOARD-OCEAN (V#12600HMVY)

MODEL # : 338- 525-W BREAKFRONT SIDEBOARD-WHITE (V#12600HMVY)

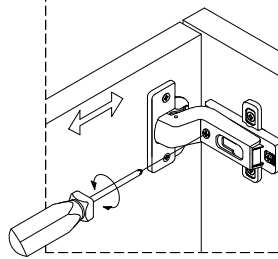
NOTE: KEEP THIS DOCUMENT FOR REFERENCE IN CASE PARTS ARE NEEDED
DO NOT TIGHTEN SCREWS UNTIL COMPLETELY ASSEMBLED!!
UNIT SHOULD BE ASSEMBLED BY TWO OR MORE PEOPLE.

STEP 5

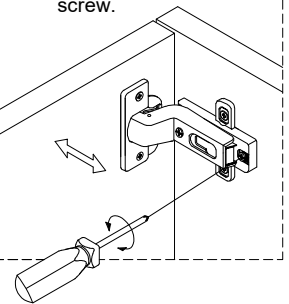


STEP 3.2

LATERAL ADJUSTMENT
by screw adjustment

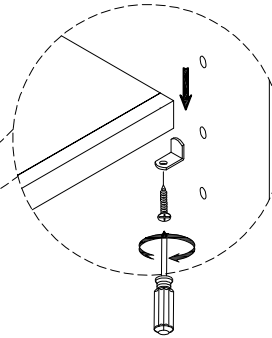


FRONT-TO-BACK
by slackening and
retightening the
hinge-arm mounting
screw.



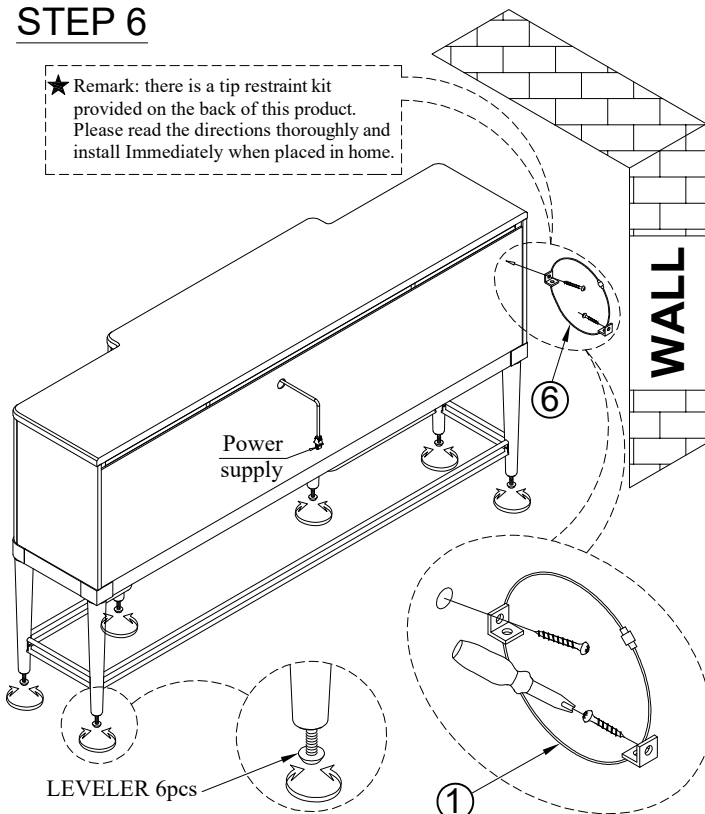
STEP 3.1

Adjust leveler to raise
or lower of the center
to align doors.



STEP 6

★ Remark: there is a tip restraint kit
provided on the back of this product.
Please read the directions thoroughly and
install Immediately when placed in home.



COMPLETED

