

ASSEMBLY INSTRUCTIONS

MODEL # : 338- 501TP ROUND TABLE TOP WITH 18 " LEAF (V#12600HMVY)
MODEL # : 338- 501BA ROUND TABLE BASE (V#12600HMVY)

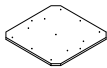



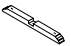
NOTE: KEEP THIS DOCUMENT FOR REFERENCE IN CASE PARTS ARE NEEDED
 DO NOT TIGHTEN SCREWS UNTIL COMPLETELY ASSEMBLED!!

UNIT SHOULD BE ASSEMBLED BY TWO OR MORE PEOPLE.





PART LIST OF #338- 501TP ROUND TABLE TOP WITH 18 " LEAF

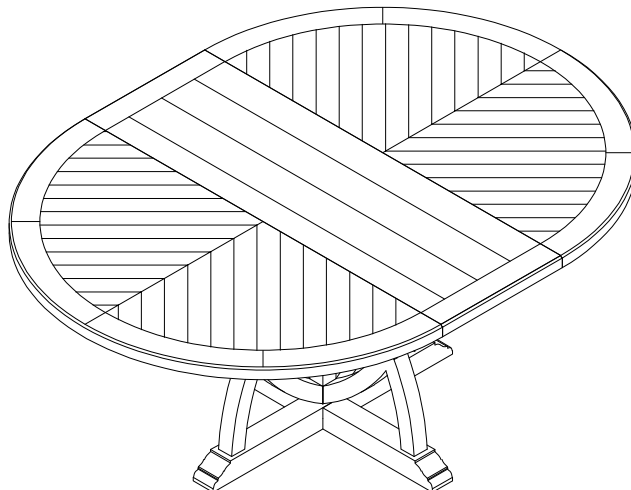
No	PART LIST	Q'TY
A	 DINING TABLE TOP	1PC

PART LIST OF #338- 501BA ROUND TABLE BASE

B	 MOUNTING PLATE	1PC
C	 LEG FRAME 1	1PC
D	 LEGS FRAME 2	2PCS
E	 BOTTOM STRETCHER 1	1PC
F	 BOTTOM STRETCHER 2	1PC

HARDWARE LIST OF #338-501BA ROUND TABLE BASE

No	HARDWARE LIST	Q'TY
1	 FLAT WASHER ø5/16 x 19 x 1.5mm	16PCS
2	 LOCK WASHER ø5/16 x 13 x 1mm	16PCS
3	 ALLEN BOLT ø5/16 x 3"	7PCS
4	 ALLEN BOLT ø5/16 x 2"	9PCS
5	 ALLEN KEY 2-3/8 x 4mm	1PC

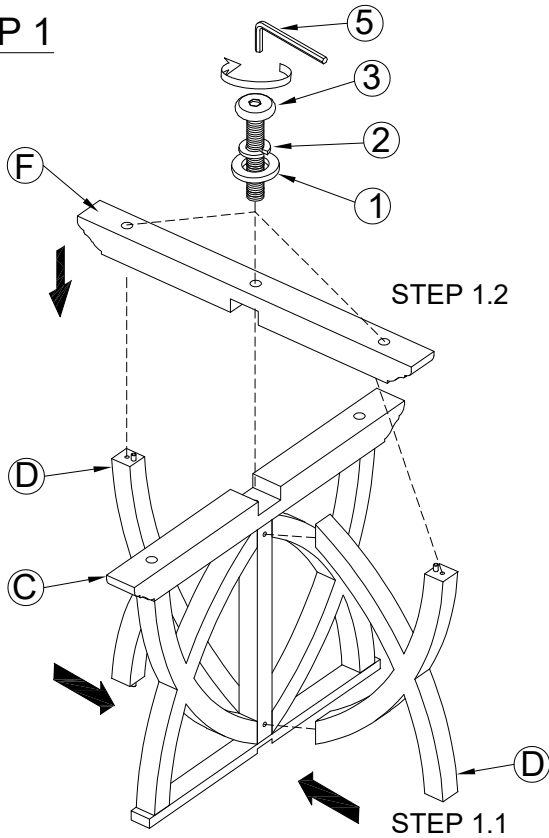


ASSEMBLY INSTRUCTIONS

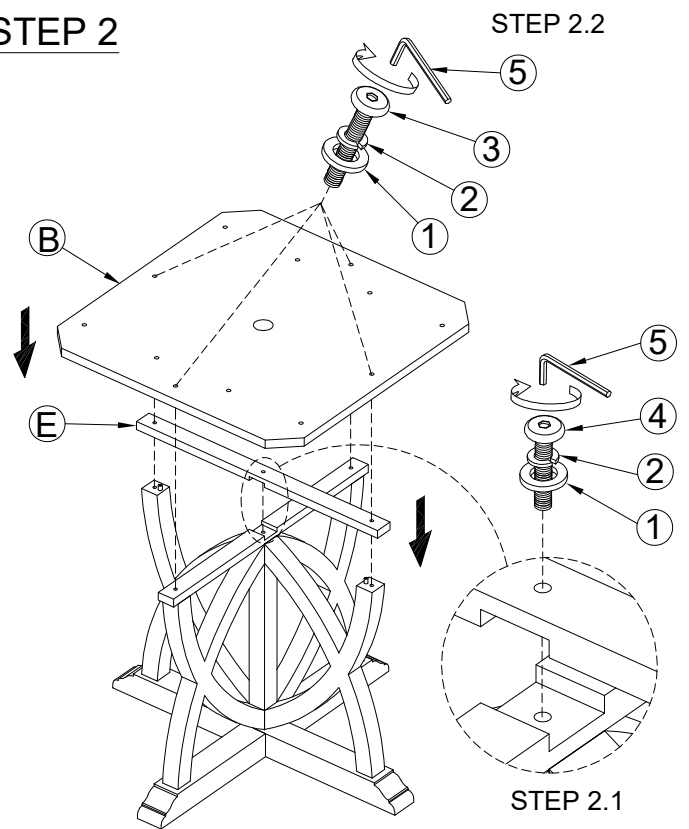
MODEL # : 338- 501TP ROUND TABLE TOP WITH 18 " LEAF (V#12600HMOVY)
MODEL # : 338- 501BA ROUND TABLE BASE (V#12600HMOVY)

NOTE: KEEP THIS DOCUMENT FOR REFERENCE IN CASE PARTS ARE NEEDED
DO NOT TIGHTEN SCREWS UNTIL COMPLETELY ASSEMBLED!!
UNIT SHOULD BE ASSEMBLED BY TWO OR MORE PEOPLE.

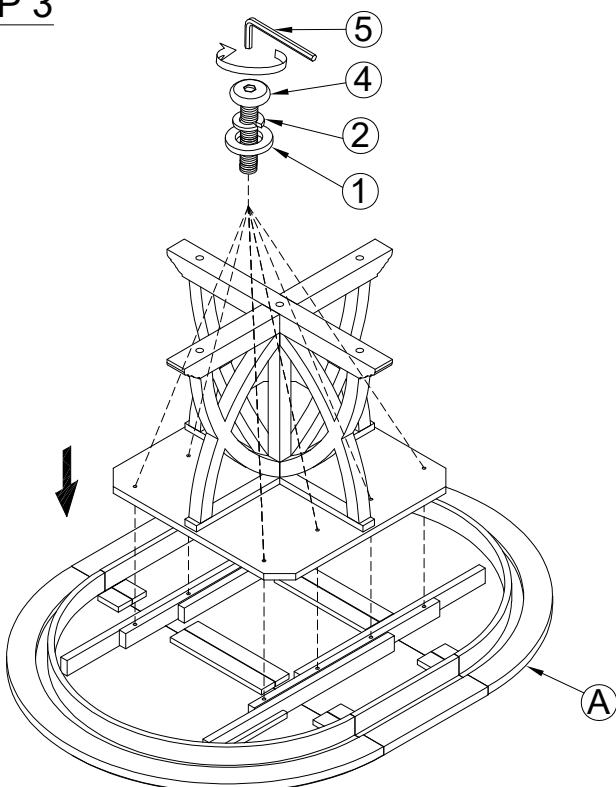
STEP 1



STEP 2



STEP 3



STEP 4

