

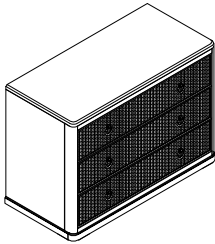

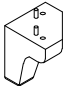
ASSEMBLY INSTRUCTIONS





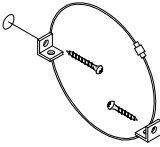
MODEL # : 338-153-W
MODEL # : 338-153-O

HALL CHEST-WHITE
HALL CHEST-OCEAN

(V#12600HMOVY)
(V#12600HMOVY)

NOTE: KEEP THIS DOCUMENT FOR REFERENCE IN CASE PARTS ARE NEEDED
 DO NOT TIGHTEN SCREWS UNTIL COMPLETELY ASSEMBLED!!
 UNIT SHOULD BE ASSEMBLED BY TWO OR MORE PEOPLE.

No	PART LIST		Q'TY
A		BODY CABINET	1PC
B		FRONT LEGS	2PCS
C		BACK LEGS	2PCS

No	HARDWARE LIST		Q'TY
1		FLAT WASHER	8PCS
2		LOCK WASHER	8PCS
3		ALLEN BOLT	8PCS
4		ALLEN KEY	1PC
5		FURNITURE TIPPING RESTRAINT (Not included screwdriver)	1SET

ASSEMBLY INSTRUCTIONS

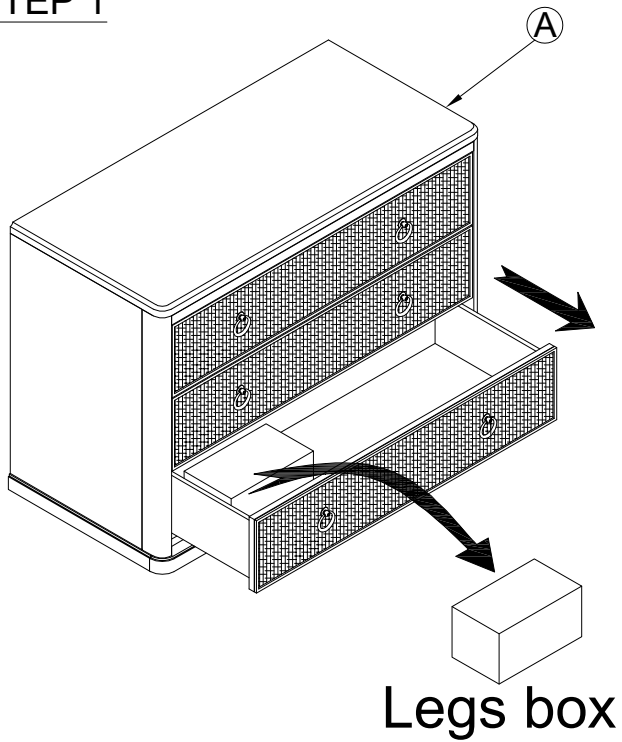
MODEL # : 338-153-W
MODEL # : 338-153-O

HALL CHEST-WHITE
HALL CHEST-OCEAN

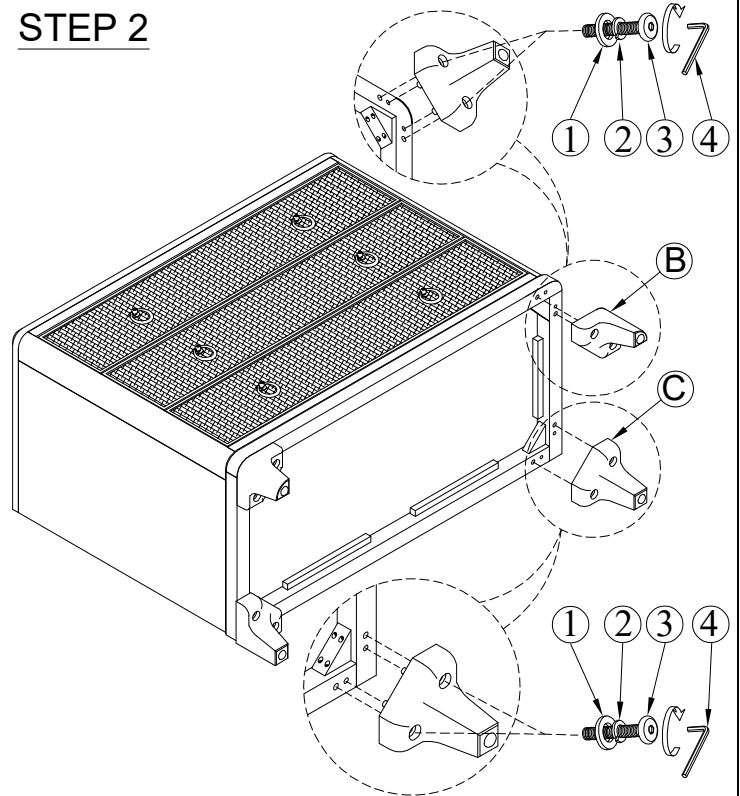
(V#12600HMOVY)
(V#12600HMOVY)

NOTE: KEEP THIS DOCUMENT FOR REFERENCE IN CASE PARTS ARE NEEDED
DO NOT TIGHTEN SCREWS UNTIL COMPLETELY ASSEMBLED!!
UNIT SHOULD BE ASSEMBLED BY TWO OR MORE PEOPLE.

STEP 1

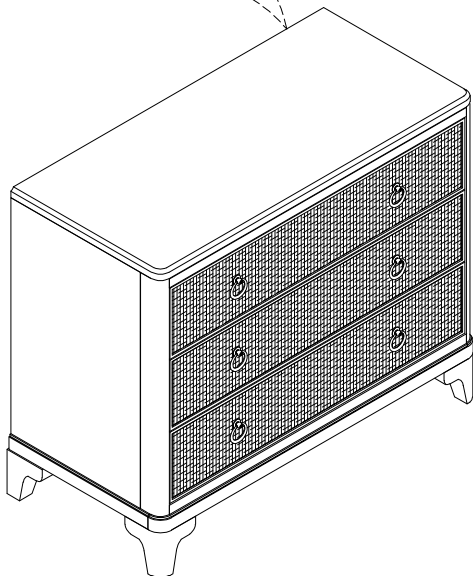


STEP 2



STEP 3

★ Remark: there is a tip restraint kit provided on the back of this product. Please read the directions thoroughly and install Immediately when placed in home.



COMPLETED

