

ASSEMBLY INSTRUCTIONS

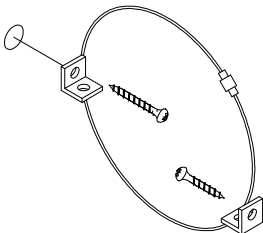
MODEL # : 338-150

DRAWER CHEST

(V#12600HMOVY)

NOTE: KEEP THIS DOCUMENT FOR REFERENCE IN CASE PARTS ARE NEEDED
DO NOT TIGHTEN SCREWS UNTIL COMPLETELY ASSEMBLED!!
UNIT SHOULD BE ASSEMBLED BY TWO OR MORE PEOPLE.

No	PART LIST		Q'TY
A		BODY CABINET	1PC
B		LEGS	4PCS

No	HARDWARE LIST		Q'TY
1		FURNITURE TIPPING RESTRAINT (NOT INCLUDED SCREWDRIVER)	1SET

ASSEMBLY INSTRUCTIONS

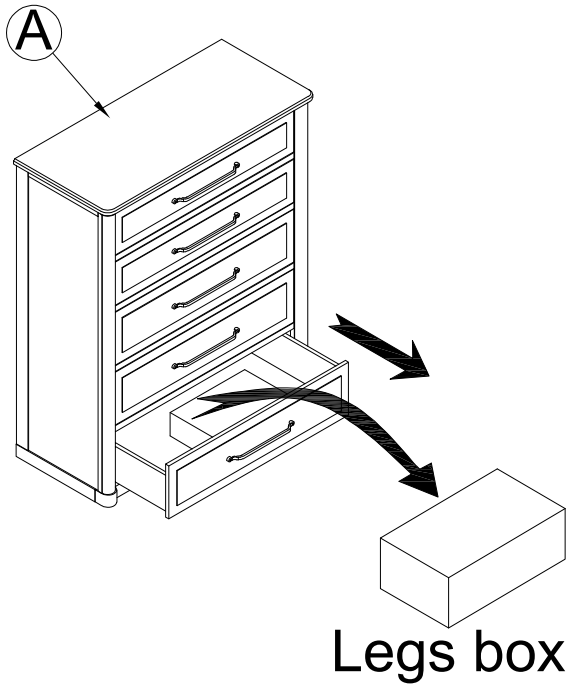
MODEL # : 338-150

DRAWER CHEST

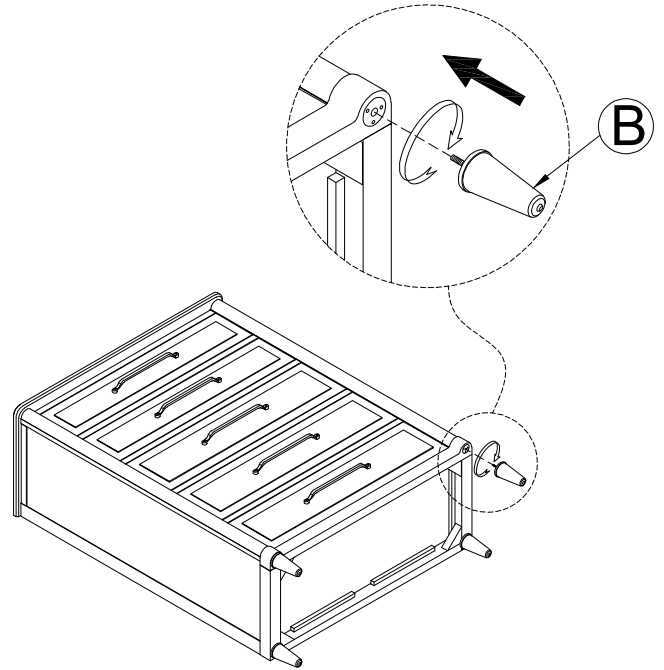
(V#12600HMYV)

NOTE: KEEP THIS DOCUMENT FOR REFERENCE IN CASE PARTS ARE NEEDED
DO NOT TIGHTEN SCREWS UNTIL COMPLETELY ASSEMBLED!!
UNIT SHOULD BE ASSEMBLED BY TWO OR MORE PEOPLE.

STEP 1

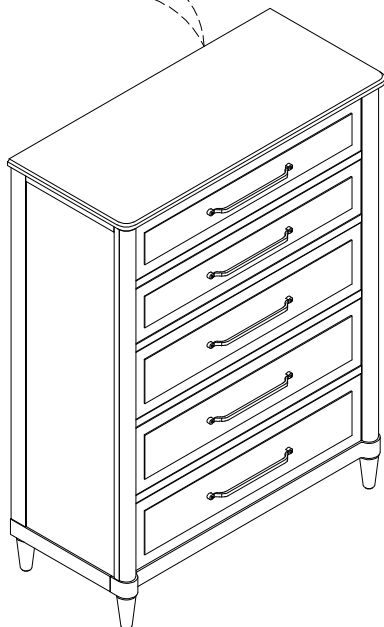


STEP 2



STEP 3

★ Remark: there is a tip restraint kit provided on the back of this product. Please read the directions thoroughly and install Immediately when placed in home.



COMPLETED

