

ASSEMBLY INSTRUCTIONS

MODEL # : 338-141

CANE MIRROR


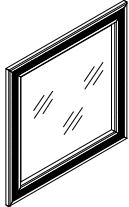
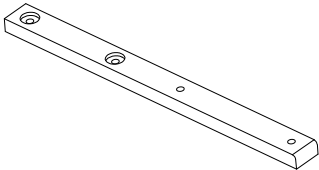
(V#12600HMOVY)





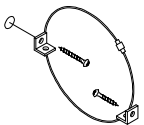
MODEL # : 338-130

CASUAL DRESSER

(V#12600HMOVY)

NOTE: KEEP THIS DOCUMENT FOR REFERENCE IN CASE PARTS ARE NEEDED
DO NOT TIGHTEN SCREWS UNTIL COMPLETELY ASSEMBLED!!
UNIT SHOULD BE ASSEMBLED BY TWO OR MORE PEOPLE.

No	PART LIST		Q'TY
A		CASUAL DRESSER	1PC
B		CANE MIRROR	1PC
C		MIRROR SUPPORTS	2PCS

No	HARDWARE LIST		Q'TY
1		FLAT WASHER	ϕ 1/4 x 19 x 1.5mm 8PCS
2		LOCK WASHER	ϕ 1/4 x 13 x 1mm 8PCS
3		ALLEN BOLT	ϕ 1/4 x 1-1/2" 8PCS
4		ALLEN KEY 4MM	1PC
5		FURNITURE TIPPING RESTRAINT (NOT INCLUDED SCREWDRIVER)	1SET

ASSEMBLY INSTRUCTIONS

MODEL # : 338-141

CANE MIRROR

(V#12600HMOVY)

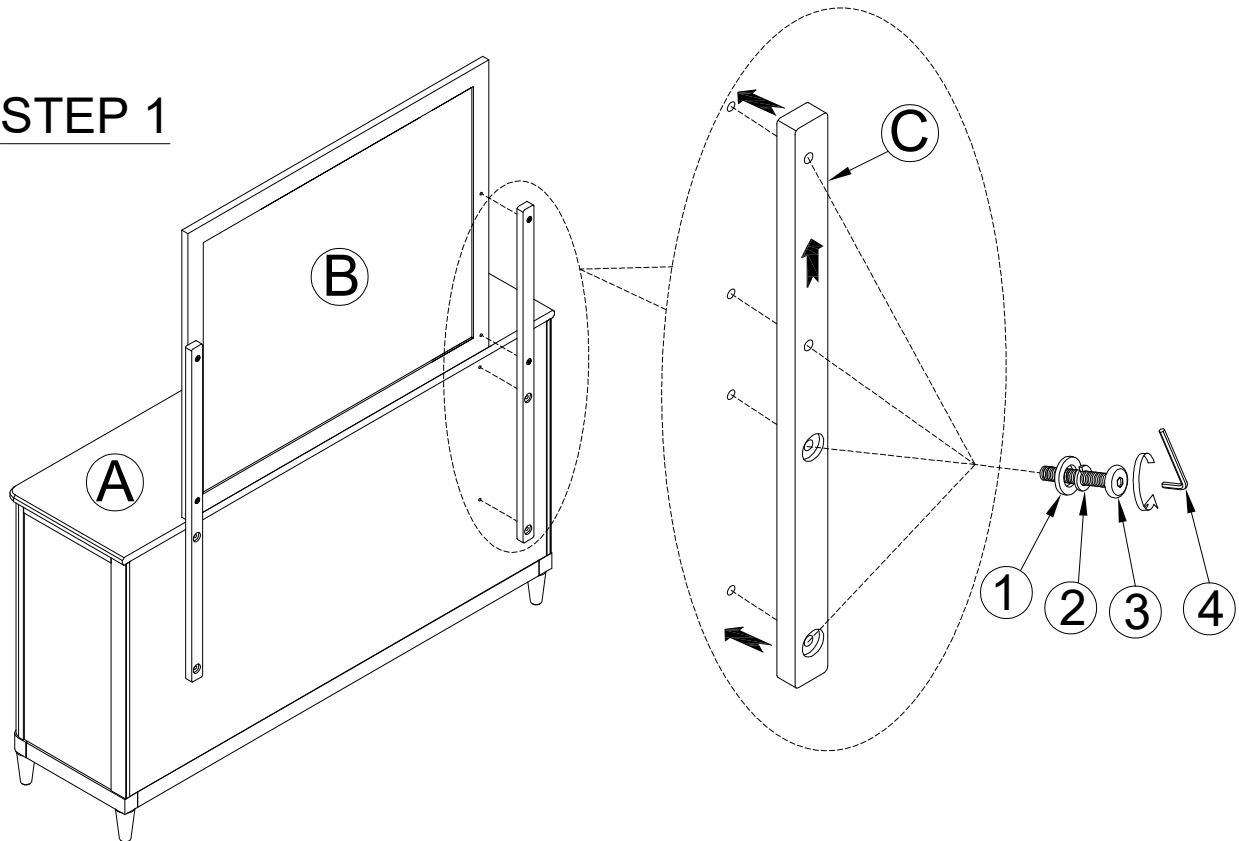
MODEL # : 338-130

CASUAL DRESSER

(V#12600HMOVY)

NOTE: KEEP THIS DOCUMENT FOR REFERENCE IN CASE PARTS ARE NEEDED
DO NOT TIGHTEN SCREWS UNTIL COMPLETELY ASSEMBLED!!
UNIT SHOULD BE ASSEMBLED BY TWO OR MORE PEOPLE.

STEP 1



STEP 2

★ Remark: there is a tip restraint kit provided on the back of this product. Please read the directions thoroughly and install Immediately when placed in home.

