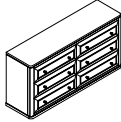
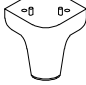
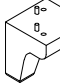





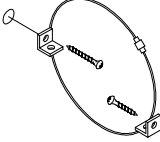


# ASSEMBLY INSTRUCTIONS

**MODEL # :338-131    MODERN DRESSER    (V#12600HMY)**

NOTE: KEEP THIS DOCUMENT FOR REFERENCE IN CASE PARTS ARE NEEDED  
DO NOT TIGHTEN SCREWS UNTIL COMPLETELY ASSEMBLED!!  
UNIT SHOULD BE ASSEMBLED BY TWO OR MORE PEOPLE.

| <b>No</b> |   | <b>PART LIST</b> | <b>Q'TY</b> |
|-----------|---|------------------|-------------|
| A         |    | BODY CABINET     | 1PC         |
| B         |    | FRONT LEG        | 2PCS        |
| C         |    | BACK LEG         | 2PCS        |
| D         |  | SUPPORT LEG      | 1PC         |

| <b>No</b> |   | <b>HARDWARE LIST</b>  |   | <b>Q'TY</b> |
|-----------|---|---|---|-------------|
| 1         |  | FLAT WASHER   | $\phi 5/16 \times 19 \times 1.5\text{mm}$ | 8PCS        |
| 2         |  | LOCK WASHER   | $\phi 5/16 \times 13 \times 1\text{mm}$   | 8PCS        |
| 3         |  | ALLEN BOLT  | $\phi 5/16 \times 2"$                     | 8PCS        |
| 4         |  | ALLEN KEY   | $2-3/8 \times 4\text{mm}$                 | 1PC         |
| 5         |  | FURNITURE TIPPING<br>RESTRAINT<br>(Not included<br>screwdriver) |   | 1SET        |

# ASSEMBLY INSTRUCTIONS

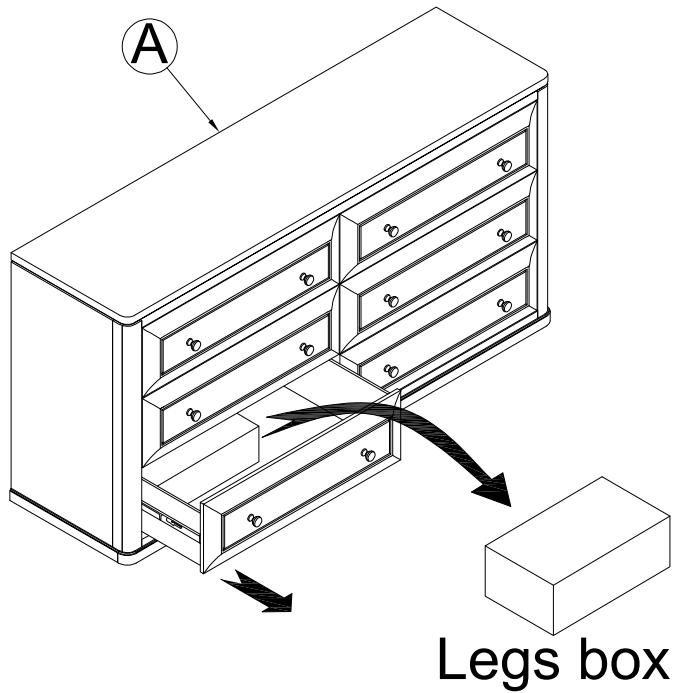
MODEL # :338-131

MODERN DRESSER

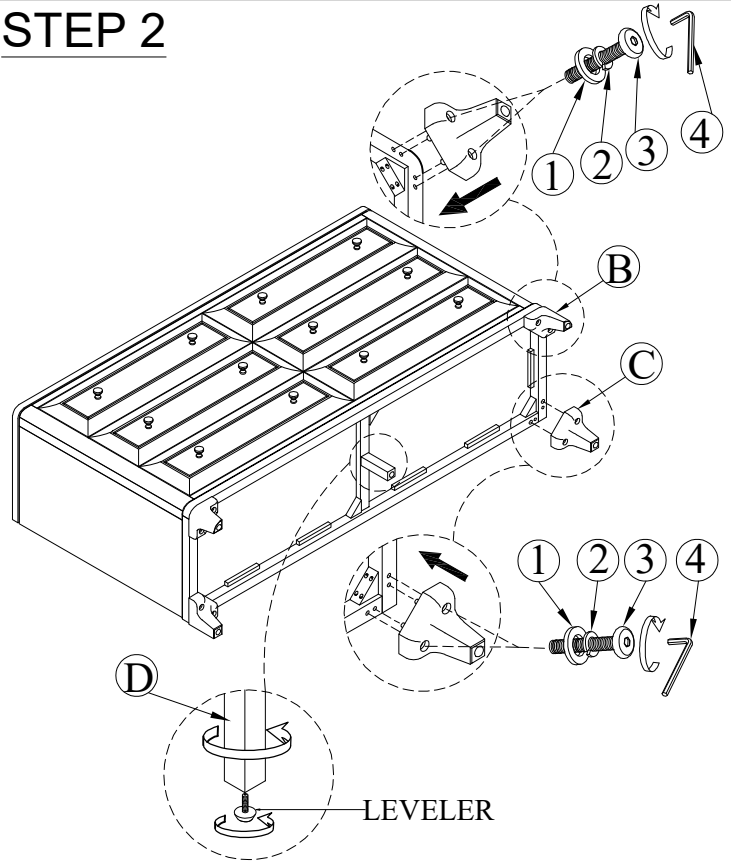
(V#12600HMY)

NOTE: KEEP THIS DOCUMENT FOR REFERENCE IN CASE PARTS ARE NEEDED  
DO NOT TIGHTEN SCREWS UNTIL COMPLETELY ASSEMBLED!!  
UNIT SHOULD BE ASSEMBLED BY TWO OR MORE PEOPLE.

## STEP 1

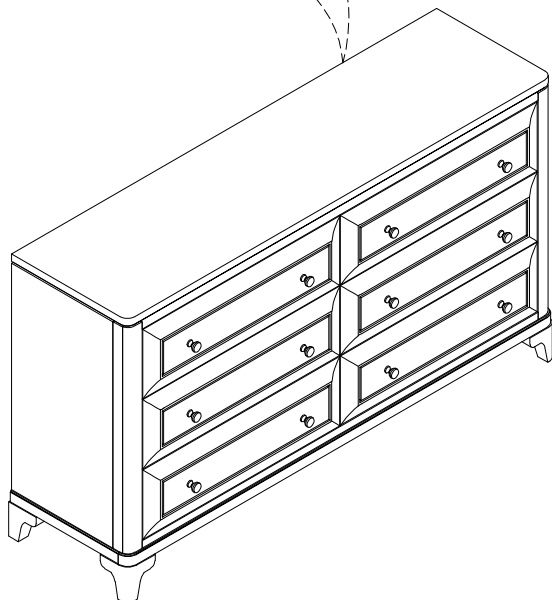


## STEP 2



## STEP 3

★ Remark: there is a tip restraint kit provided on the back of this product. Please read the directions thoroughly and install Immediately when placed in home.



## COMPLETED

