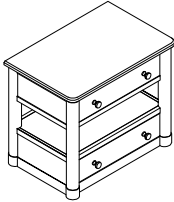

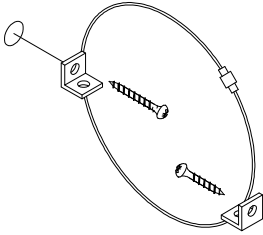


ASSEMBLY INSTRUCTIONS

MODEL # : 338-122 OPEN NIGHTSTAND-SAND (V#12600HMVY)
MODEL # : 338-122-O OPEN NIGHTSTAND-OCEAN (V#12600HMVY)
MODEL # : 338-122-W OPEN NIGHTSTAND-WHITE (V#12600HMVY)

NOTE: KEEP THIS DOCUMENT FOR REFERENCE IN CASE PARTS ARE NEEDED
 DO NOT TIGHTEN SCREWS UNTIL COMPLETELY ASSEMBLED!!
 UNIT SHOULD BE ASSEMBLED BY TWO OR MORE PEOPLE.

No		PART LIST	Q'TY
A		BODY CABINET	1PC
B		LEGS	4PCS

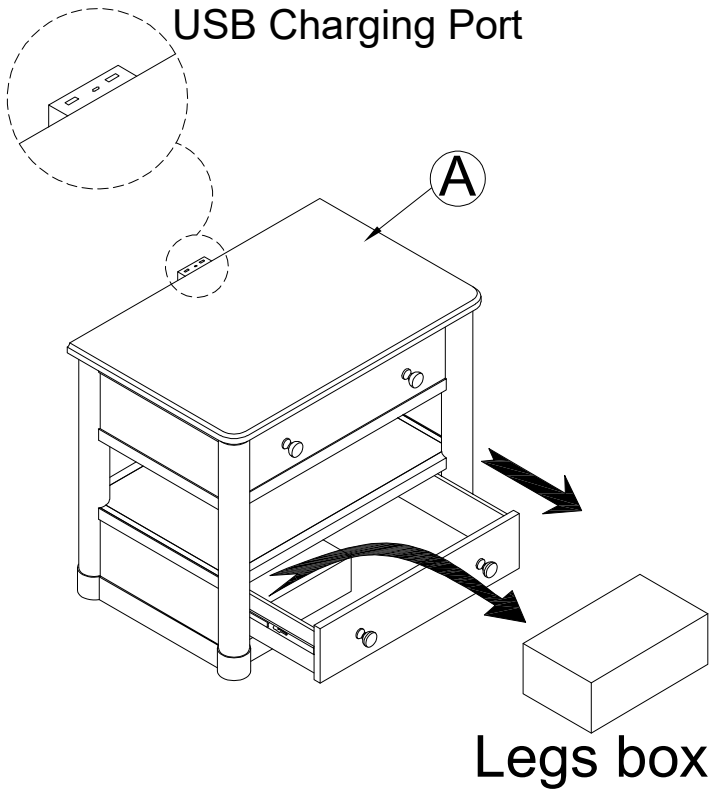
No		HARDWARE LIST	Q'TY
1		FURNITURE TIPPING RESTRAINT (NOT INCLUDED SCREWDRIVER)	1SET

ASSEMBLY INSTRUCTIONS

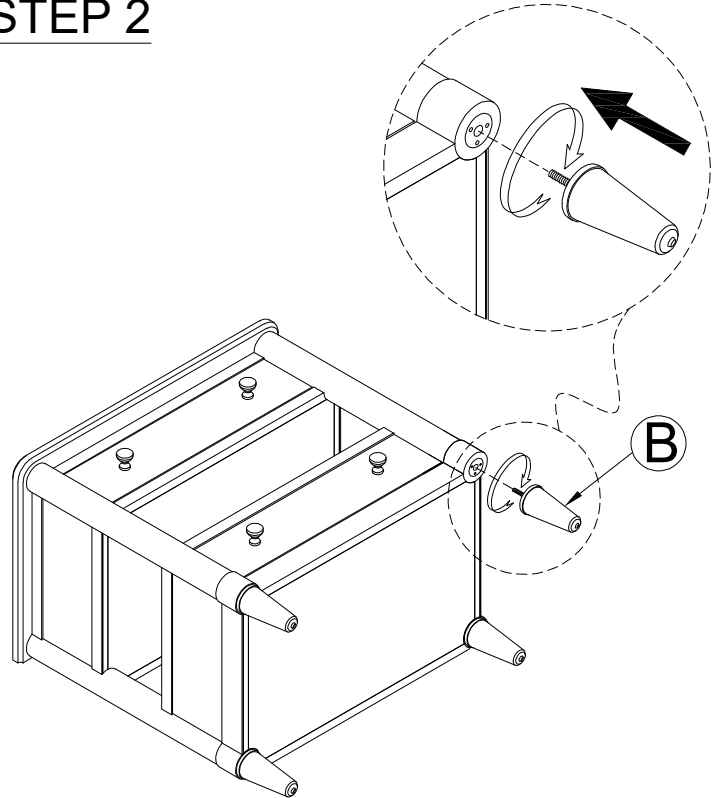
MODEL # : 338-122 OPEN NIGHTSTAND-SAND (V#12600HMVY)
MODEL # : 338-122-O OPEN NIGHTSTAND-OCEAN (V#12600HMVY)
MODEL # : 338-122-W OPEN NIGHTSTAND-WHITE (V#12600HMVY)

NOTE: KEEP THIS DOCUMENT FOR REFERENCE IN CASE PARTS ARE NEEDED
DO NOT TIGHTEN SCREWS UNTIL COMPLETELY ASSEMBLED!!
UNIT SHOULD BE ASSEMBLED BY TWO OR MORE PEOPLE.

STEP 1

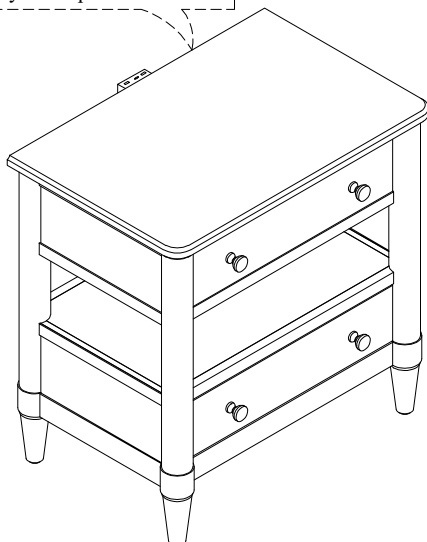


STEP 2



STEP 3

★ Remark: there is a tip restraint kit provided on the back of this product. Please read the directions thoroughly and install Immediately when placed in home.



COMPLETED

