



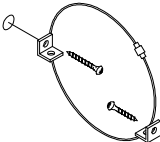


ASSEMBLY INSTRUCTIONS

MODEL # : 338-120 2 DRAWER NIGHTSTAND (V#12600HMOVY)

NOTE: KEEP THIS DOCUMENT FOR REFERENCE IN CASE PARTS ARE NEEDED
DO NOT TIGHTEN SCREWS UNTIL COMPLETELY ASSEMBLED!!
UNIT SHOULD BE ASSEMBLED BY TWO OR MORE PEOPLE.

No		PART LIST	Q'TY
A		BODY CABINET	1PC
B		FRONT LEG	2PCS
C		BACK LEG	2PCS

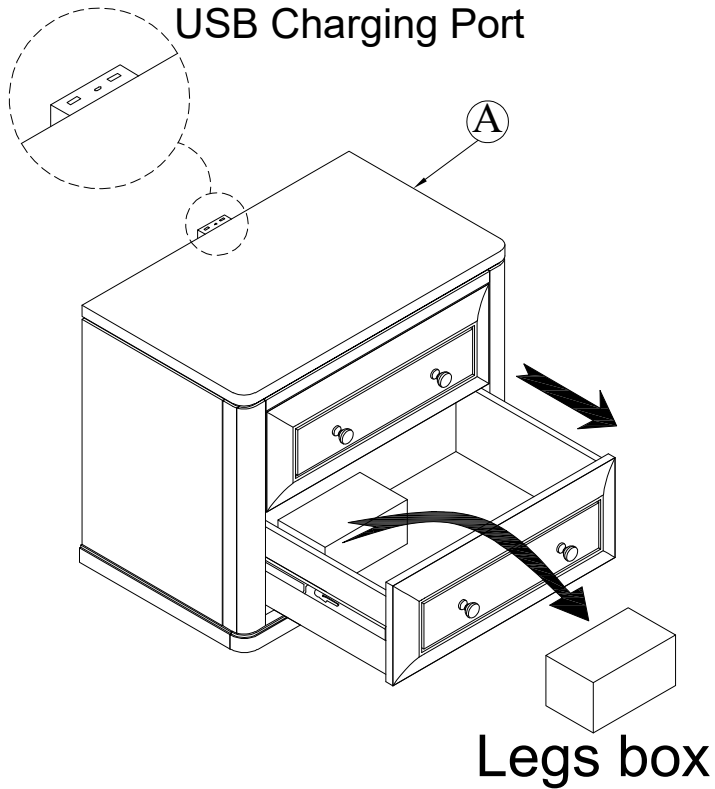
No		HARDWARE LIST		Q'TY
1		FLAT WASHER	$\phi 5/16 \times 19 \times 1.5\text{mm}$	8PCS
2		LOCK WASHER	$\phi 5/16 \times 13 \times 1\text{mm}$	8PCS
3		ALLEN BOLT	$\phi 5/16 \times 2"$	8PCS
4		ALLEN KEY	$2-3/8 \times 4\text{mm}$	1PC
5		FURNITURE TIPPING RESTRAINT (Not included screwdriver)		1SET

ASSEMBLY INSTRUCTIONS

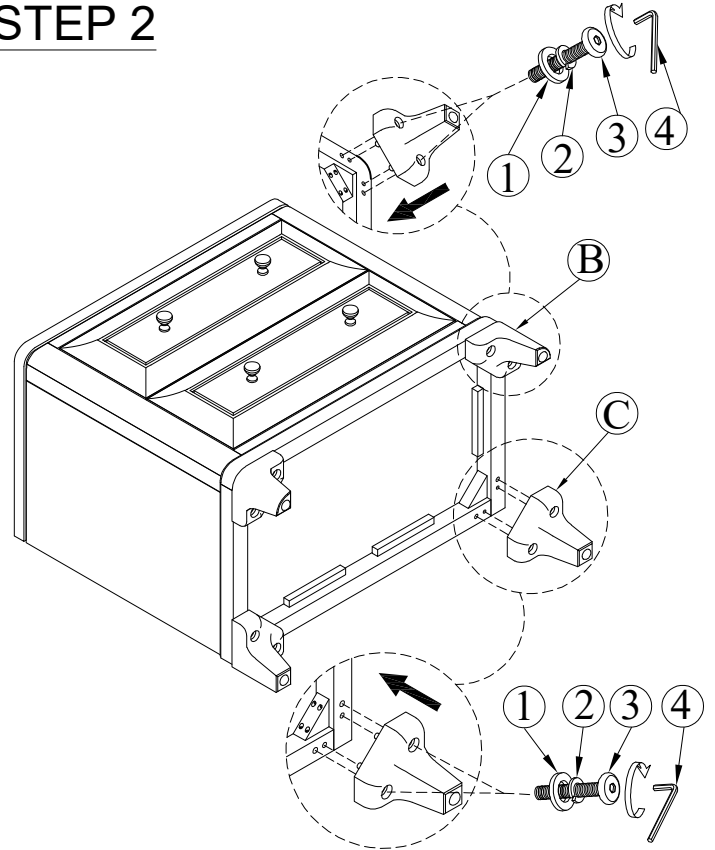
MODEL # : 338-120 2 DRAWER NIGHTSTAND (V#12600HVMY)

NOTE: KEEP THIS DOCUMENT FOR REFERENCE IN CASE PARTS ARE NEEDED
DO NOT TIGHTEN SCREWS UNTIL COMPLETELY ASSEMBLED!!
UNIT SHOULD BE ASSEMBLED BY TWO OR MORE PEOPLE.

STEP 1

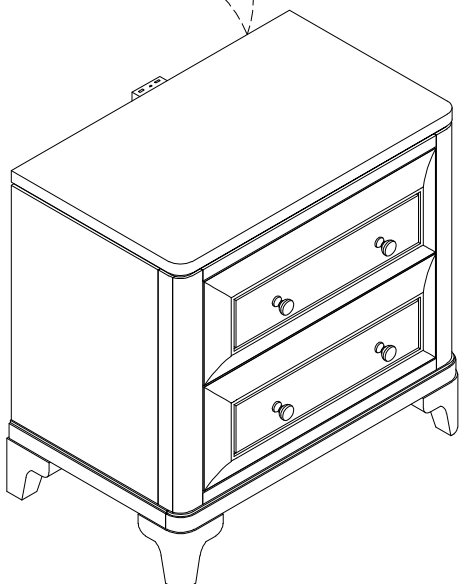


STEP 2



STEP 3

★ Remark: there is a tip restraint kit provided on the back of this product. Please read the directions thoroughly and install immediately when placed in home.



COMPLETED

