

ASSEMBLY INSTRUCTIONS

MODEL # : 338-080

FILE CABINET

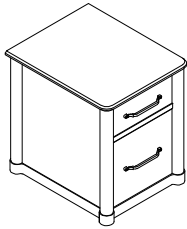

(V#12600HMY)

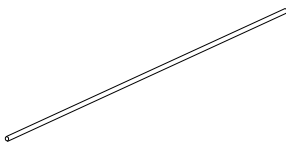
MODEL # : 338-080-W

FILE CABINET-WHITE

(V#12600HMY)

NOTE: KEEP THIS DOCUMENT FOR REFERENCE IN CASE PARTS ARE NEEDED
DO NOT TIGHTEN SCREWS UNTIL COMPLETELY ASSEMBLED!!
UNIT SHOULD BE ASSEMBLED BY TWO OR MORE PEOPLE.

No	PART LIST		Q'TY
A		BODY CABINET	1PC
B		LEGS	4PCS

No	HARDWARE LIST		Q'TY
1		FILE HANGING ROD	2PCS

ASSEMBLY INSTRUCTIONS

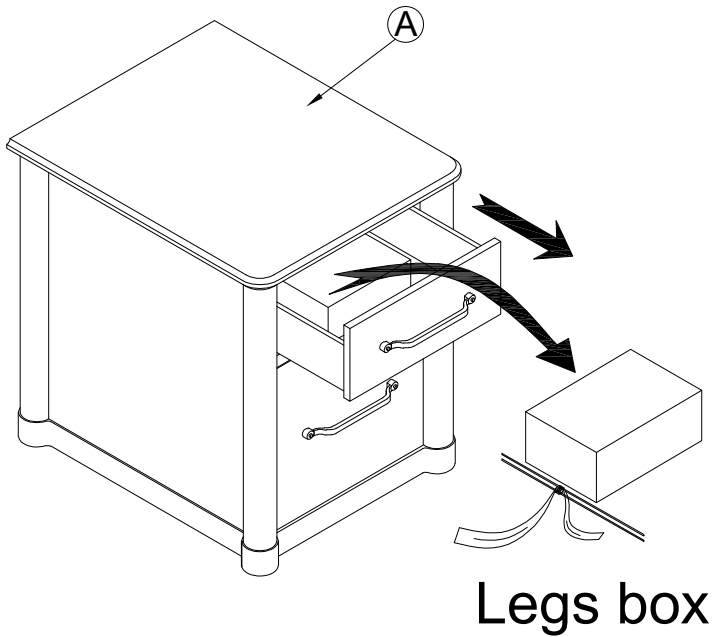
MODEL # : 338-080
MODEL # : 338-080-W

FILE CABINET
FILE CABINET-WHITE

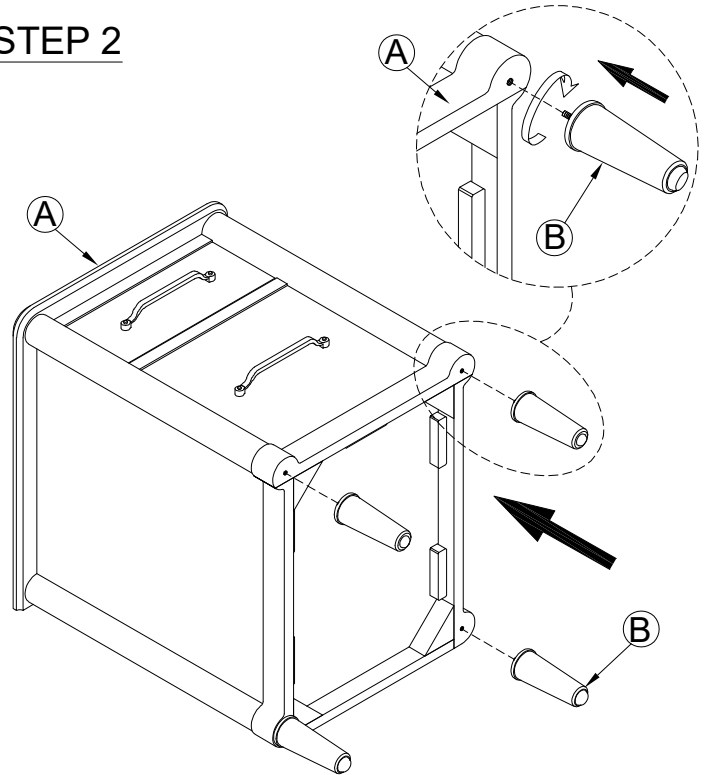
(V#12600HMY)
(V#12600HMY)

NOTE: KEEP THIS DOCUMENT FOR REFERENCE IN CASE PARTS ARE NEEDED
DO NOT TIGHTEN SCREWS UNTIL COMPLETELY ASSEMBLED!!
UNIT SHOULD BE ASSEMBLED BY TWO OR MORE PEOPLE.

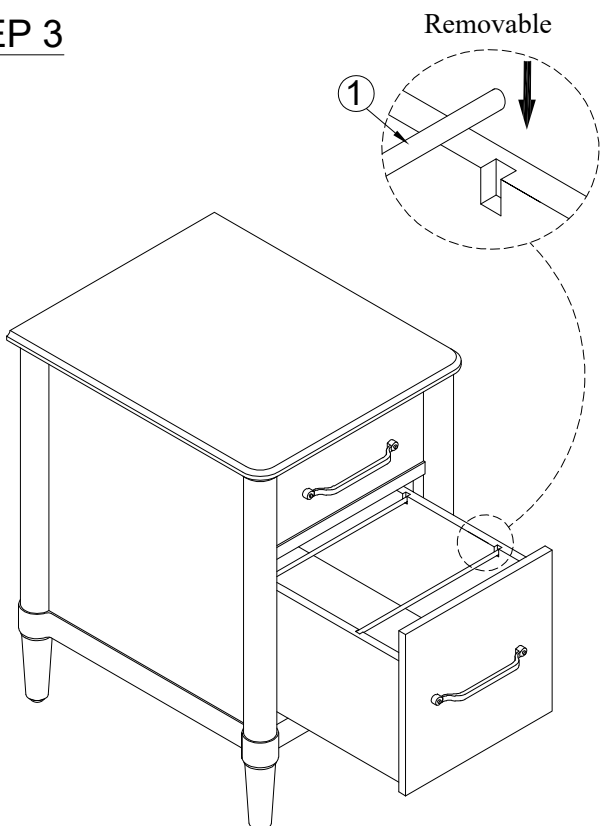
STEP 1



STEP 2



STEP 3



COMPLETED

