

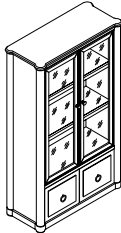



ASSEMBLY INSTRUCTIONS





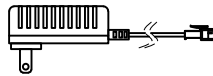
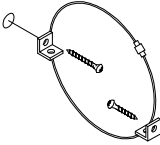
MODEL # : 338-072 DISPLAY BOOKCASE

(V#12600HMOVY)

NOTE: KEEP THIS DOCUMENT FOR REFERENCE IN CASE PARTS ARE NEEDED
DO NOT TIGHTEN SCREWS UNTIL COMPLETELY ASSEMBLED!!

UNIT SHOULD BE ASSEMBLED BY TWO OR MORE PEOPLE.

No	PART LIST		Q'TY
A		BODY CABINET	1PC
B		FRONT LEGS	2PCS
C		BACK LEG (R)	1PC
D		BACK LEG (L)	1PC

No	HARDWARE LIST		Q'TY
1		FLAT WASHER	8PCS
2		LOCK WASHER	8PCS
3		ALLEN BOLT	8PCS
4		ALLEN KEY	1PC
5		POWER SUPPLY	1PC
6		FURNITURE TIPPING RESTRAINT (Not included screwdriver)	1SET

ASSEMBLY INSTRUCTIONS

MODEL # : 338-072

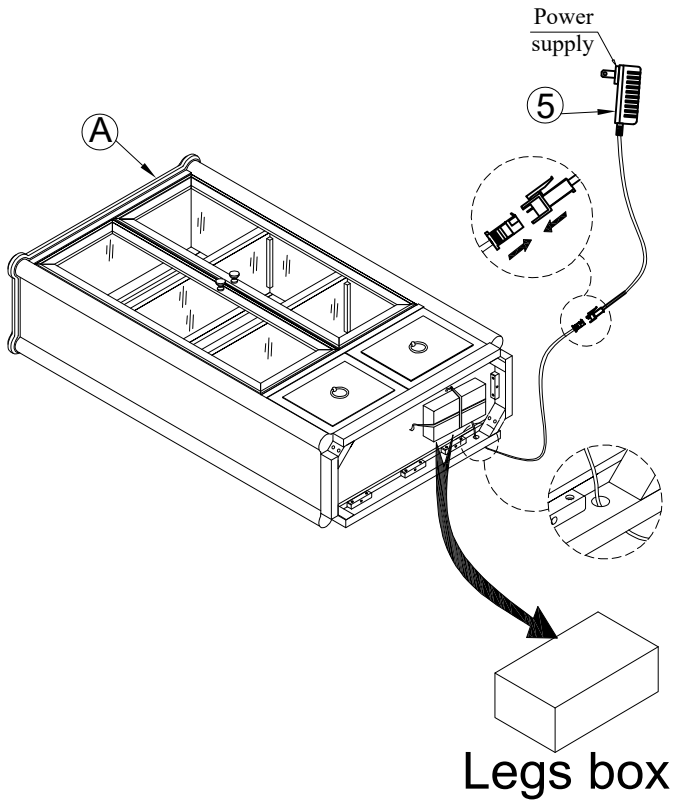
DISPLAY BOOKCASE

(V#12600HVMY)

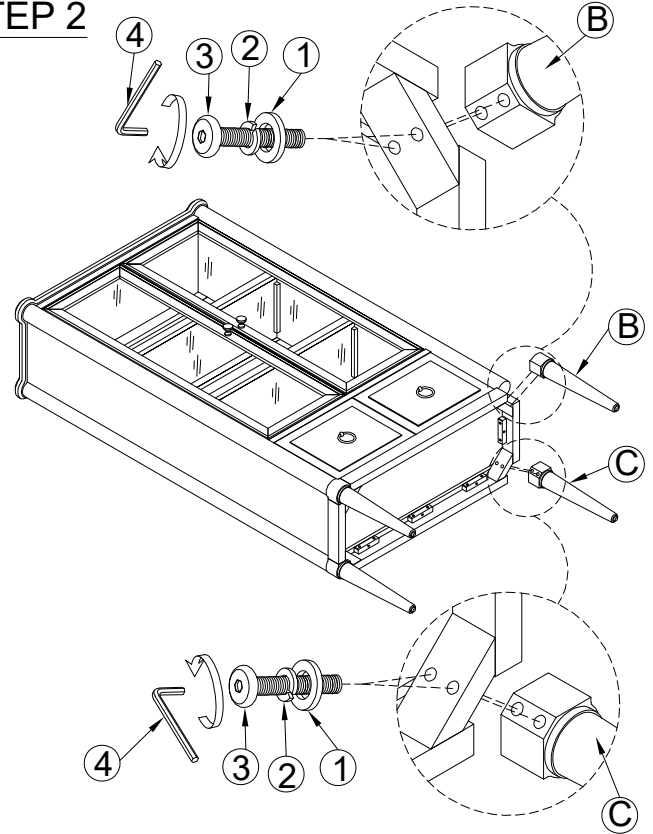
NOTE: KEEP THIS DOCUMENT FOR REFERENCE IN CASE PARTS ARE NEEDED
DO NOT TIGHTEN SCREWS UNTIL COMPLETELY ASSEMBLED!!

UNIT SHOULD BE ASSEMBLED BY TWO OR MORE PEOPLE.

STEP 1

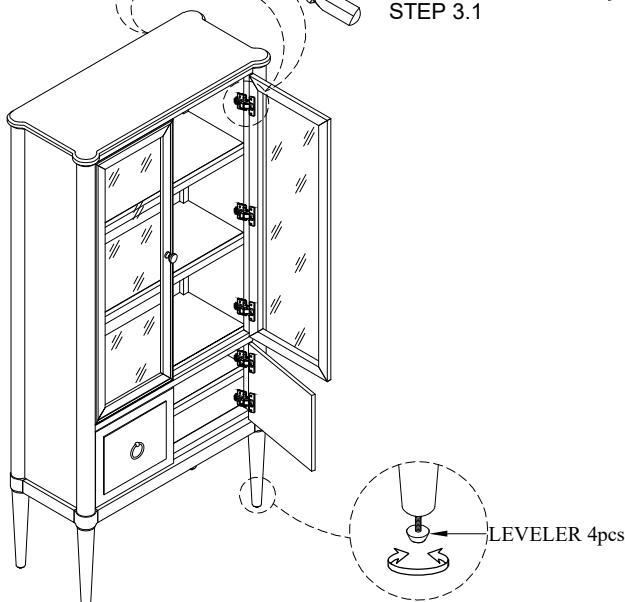
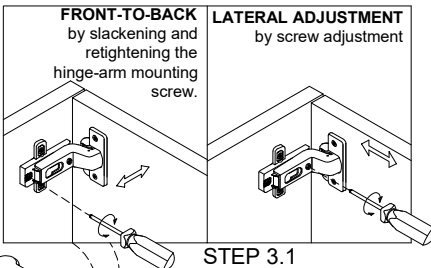


STEP 2



STEP 3

★ Remark: there is a tip restraint kit provided on the back of this product. Please read the directions thoroughly and install immediately when placed in home.



COMPLETED

