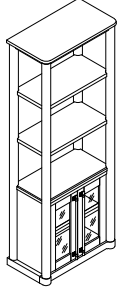
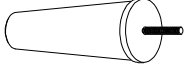
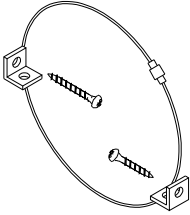


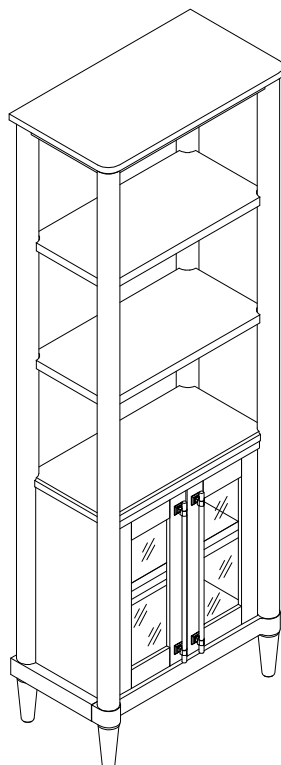
ASSEMBLY INSTRUCTIONS

MODEL # : 338-061-P PIER CABINET (V#12600HMY)

NOTE: KEEP THIS DOCUMENT FOR REFERENCE IN CASE PARTS ARE NEEDED
DO NOT TIGHTEN SCREWS UNTIL COMPLETELY ASSEMBLED!!
UNIT SHOULD BE ASSEMBLED BY TWO OR MORE PEOPLE.

| <u>No</u> | PART LIST | | Q'TY |
|-----------|---|--------------|-------------|
| A |  | BODY CABINET | 1PC |
| B |  | LEGS | 4PCS |

| <u>No</u> | HARDWARE LIST | | Q'TY |
|-----------|---|---|-------------|
| 1 |  | FURNITURE TIPPING RESTRAINT (NOT INCLUDED SCREWDRIVER) | 1PC |



ASSEMBLY INSTRUCTIONS

MODEL # : 338-061-P

PIER CABINET

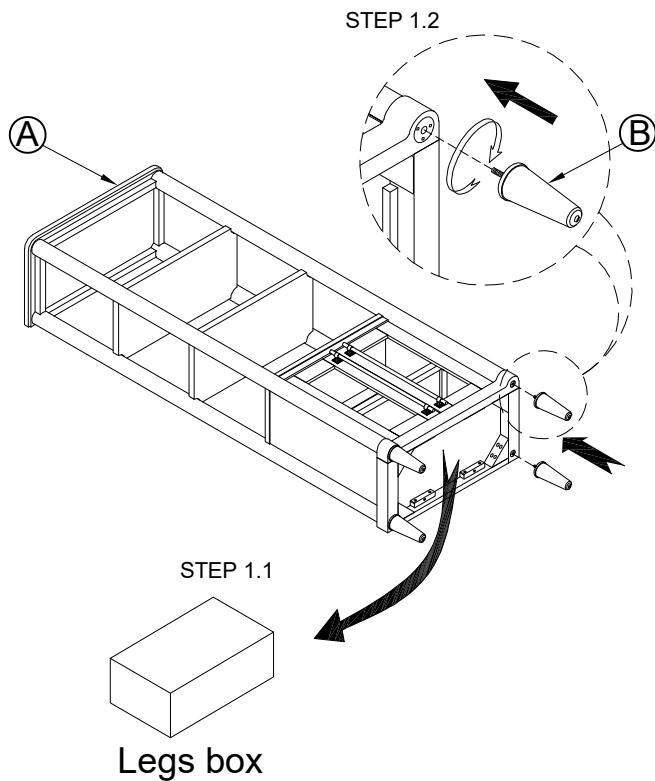
(V#12600HMY)

NOTE: KEEP THIS DOCUMENT FOR REFERENCE IN CASE PARTS ARE NEEDED

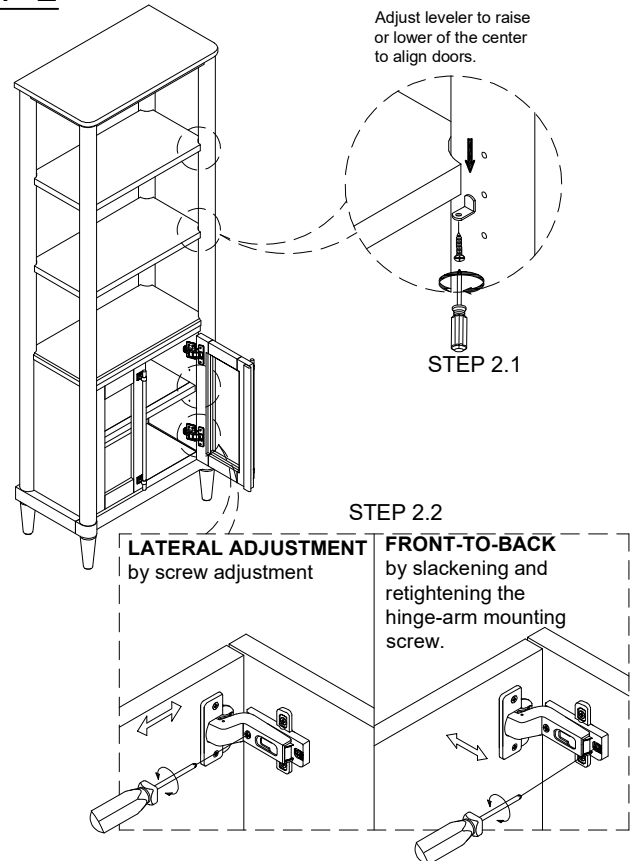
DO NOT TIGHTEN SCREWS UNTIL COMPLETELY ASSEMBLED!!

UNIT SHOULD BE ASSEMBLED BY TWO OR MORE PEOPLE.

STEP 1



STEP 2



STEP 3

