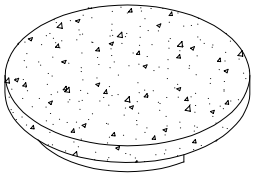
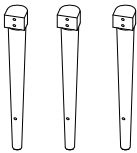
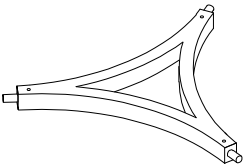




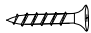



ASSEMBLY INSTRUCTIONS

MODEL#:338-003 CHAIRSIDE TABLE WITH CEMENT TOP (V#12600HMVY)

NOTE: KEEP THIS DOCUMENT FOR REFERENCE IN CASE PARTS ARE NEEDED
DO NOT TIGHTEN SCREWS UNTIL COMPLETELY ASSEMBLED!!
UNIT SHOULD BE ASSEMBLED BY TWO OR MORE PEOPLE.

No	PART LIST		Q'TY
A		CHAIRSIDE TABLE TOP	1PC
B		LEGS	3PCS
C		STRETCHER	1PC

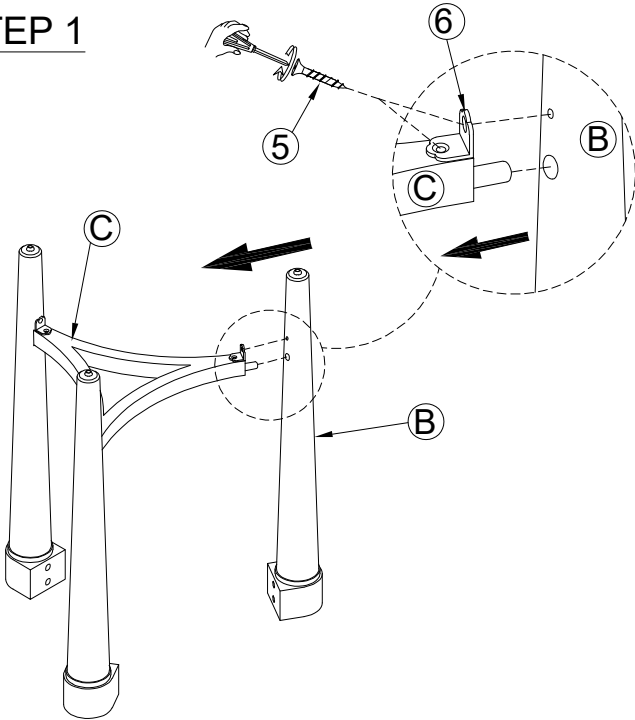
No	HARDWARE LIST		Q'TY
1		FLAT WASHER	6PCS
2		LOCK WASHER	6PCS
3		ALLEN BOLT	6PCS
4		ALLEN KEY	1PC
5		SCREW	6PCS
6		METAL CONNECTER	3PCS

ASSEMBLY INSTRUCTIONS

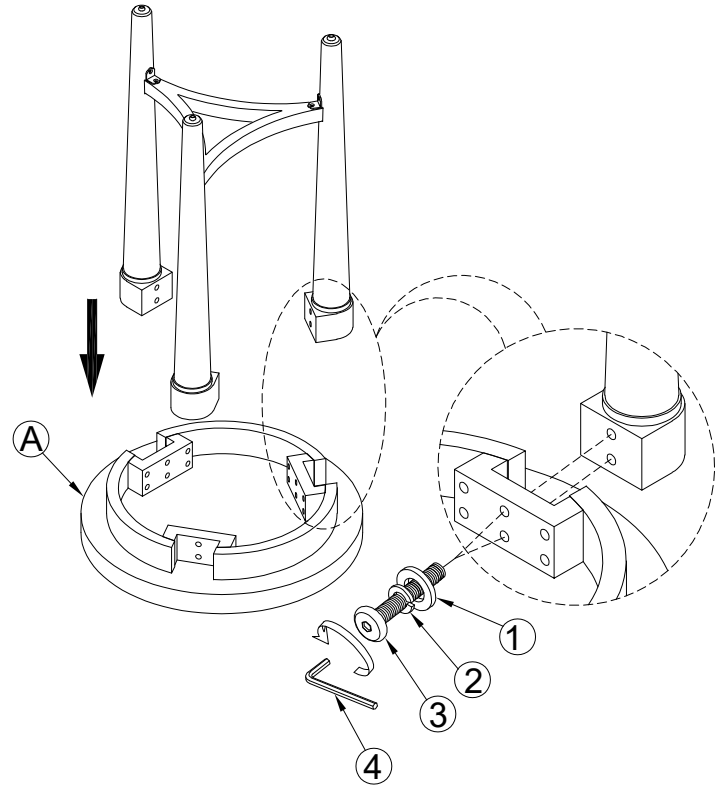
MODEL#:338-003 CHAIRSIDE TABLE WITH CEMENT TOP (V#12600HMVY)

NOTE: KEEP THIS DOCUMENT FOR REFERENCE IN CASE PARTS ARE NEEDED
DO NOT TIGHTEN SCREWS UNTIL COMPLETELY ASSEMBLED!!
UNIT SHOULD BE ASSEMBLED BY TWO OR MORE PEOPLE.

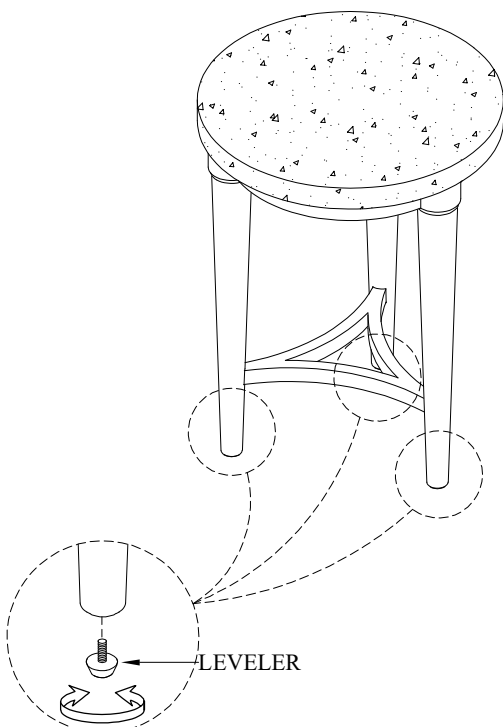
STEP 1



STEP 2



STEP 3



COMPLETED

