

ASSEMBLY INSTRUCTIONS

MODEL # : 338- 002

END TABLE-SAND

(V#12600HMOVY)

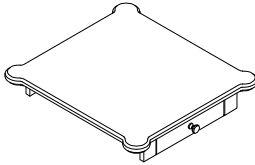
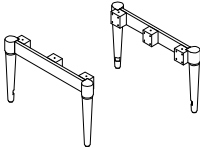
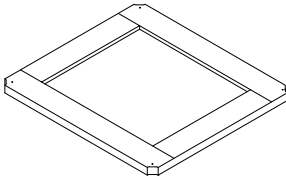
MODEL # : 338- 002-W




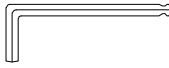
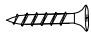

END TABLE-WHITE

(V#12600HMOVY)

NOTE: KEEP THIS DOCUMENT FOR REFERENCE IN CASE PARTS ARE NEEDED
DO NOT TIGHTEN SCREWS UNTIL COMPLETELY ASSEMBLED!!

UNIT SHOULD BE ASSEMBLED BY TWO OR MORE PEOPLE.

No	PART LIST		Q'TY
A		END TABLE TOP	1PC
B		LEGS FRAME	2PCS
C		SHELF	1PC

No	HARDWARE LIST			Q'TY
1		FLAT WASHER	$\varnothing 5/16 \times 19 \times 1.5\text{mm}$	6PCS
2		LOCK WASHER	$\varnothing 5/16 \times 13 \times 1\text{mm}$	6PCS
3		ALLEN BOLT	$\varnothing 5/16 \times 3"$	6PCS
4		ALLEN KEY	$2-3/8 \times 4\text{mm}$	1PC
5		SCREW	$\varnothing 8 \times 1/2"$	8PCS
6		METAL CONNECTER	$19 \times 13 \times 18 \times 2\text{mm}, 90^\circ$	4PCS

ASSEMBLY INSTRUCTIONS

MODEL # : 338- 002

END TABLE-SAND

(V#12600HMVY)

MODEL # : 338- 002-W

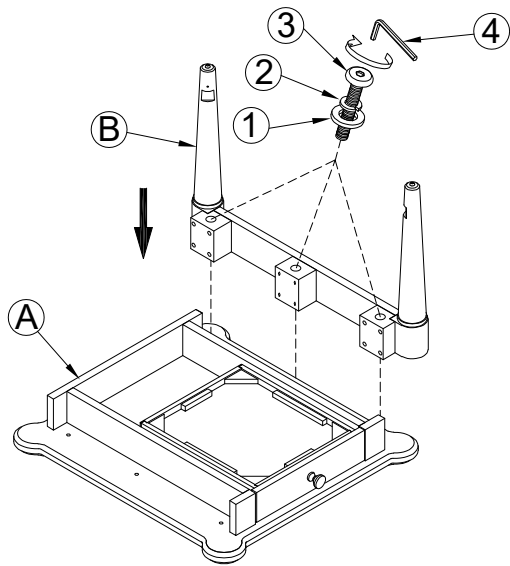
END TABLE-WHITE

(V#12600HMVY)

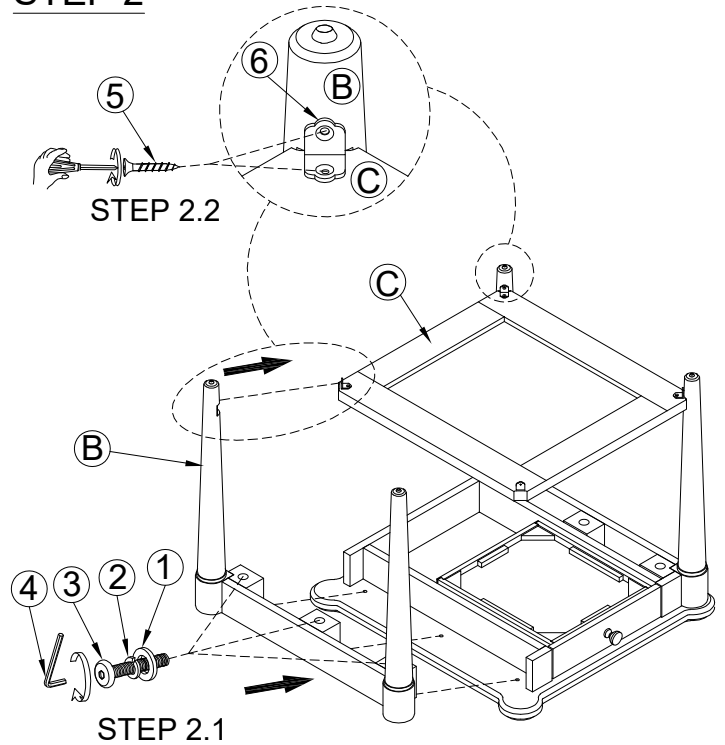
NOTE: KEEP THIS DOCUMENT FOR REFERENCE IN CASE PARTS ARE NEEDED
DO NOT TIGHTEN SCREWS UNTIL COMPLETELY ASSEMBLED!!

UNIT SHOULD BE ASSEMBLED BY TWO OR MORE PEOPLE.

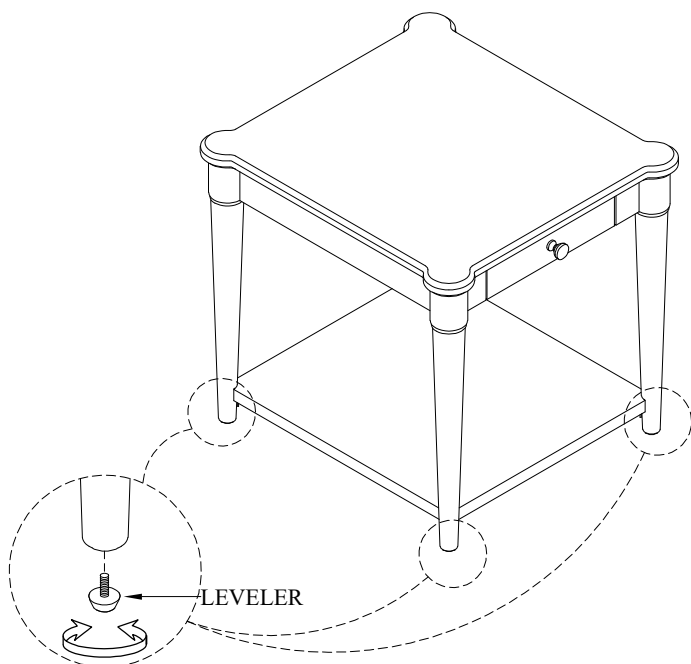
STEP 1



STEP 2



STEP 3



COMPLETED

