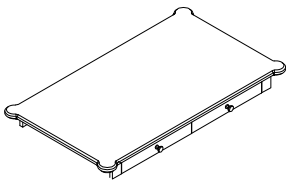
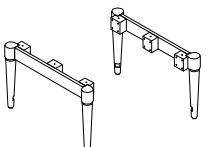
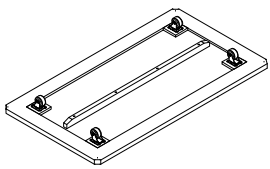




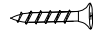



ASSEMBLY INSTRUCTIONS

MODEL # : 338-001 CKTL TBL W/CASTER-SAND (V#12600HMOVY)
MODEL # : 338-001-W CKTL TBL W/CASTER-WHITE (V#12600HMOVY)

NOTE: KEEP THIS DOCUMENT FOR REFERENCE IN CASE PARTS ARE NEEDED
 DO NOT TIGHTEN SCREWS UNTIL COMPLETELY ASSEMBLED!!
 UNIT SHOULD BE ASSEMBLED BY TWO OR MORE PEOPLE.

No	PART LIST		Q'TY
A		COCKTAIL TABLE TOP	1PC
B		LEGS FRAME	2PCS
C		SHELF	1PC

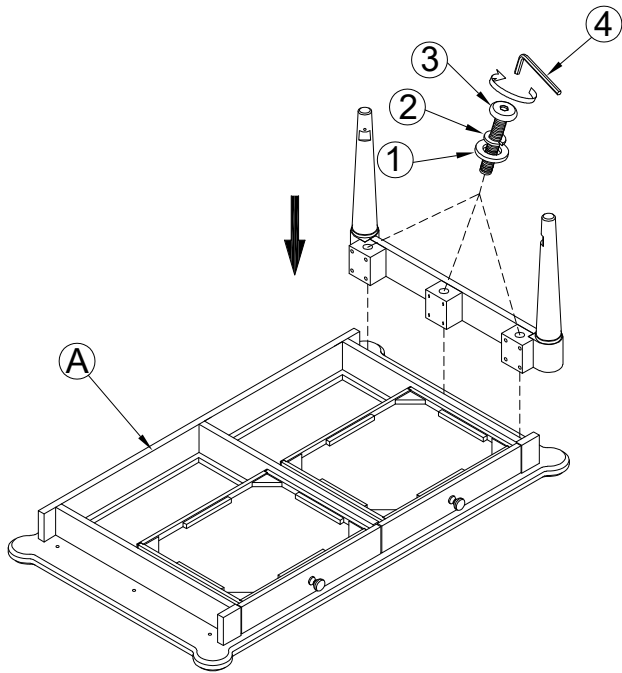
No	HARDWARE LIST			Q'TY
1		FLAT WASHER	ø5/16 x 19 x 1.5mm	6PCS
2		LOCK WASHER	ø5/16 x 13 x 1mm	6PCS
3		ALLEN BOLT	ø5/16 x 3"	6PCS
4		ALLEN KEY	2-3/8 x 4mm	1PC
5		SCREW	Ø8*1/2"	8PCS
6		METAL CONNECTER	19*13*18*2mm, 90°	4PCS

ASSEMBLY INSTRUCTIONS

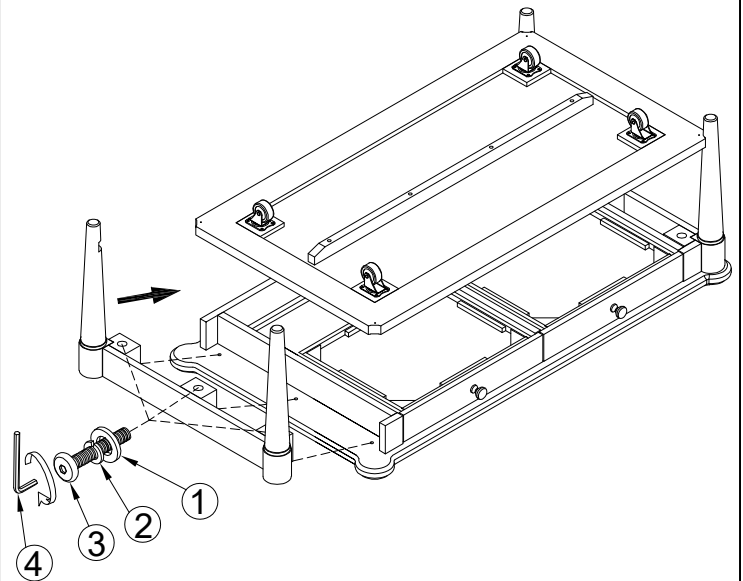
MODEL # : 338-001 CKTL TBL W/CASTER-SAND (V#12600HMOVY)
MODEL # : 338-001-W CKTL TBL W/CASTER-WHITE (V#12600HMOVY)

NOTE: KEEP THIS DOCUMENT FOR REFERENCE IN CASE PARTS ARE NEEDED
DO NOT TIGHTEN SCREWS UNTIL COMPLETELY ASSEMBLED!!
UNIT SHOULD BE ASSEMBLED BY TWO OR MORE PEOPLE.

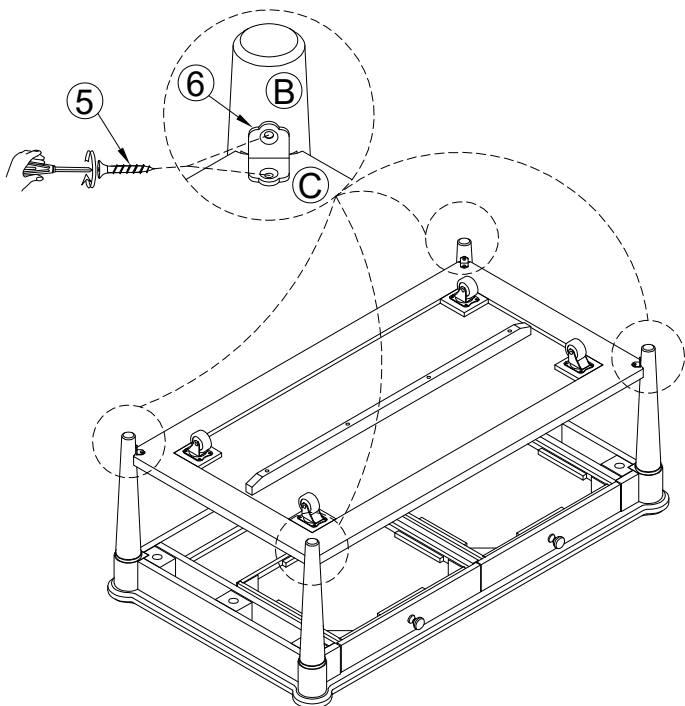
STEP 1



STEP 2



STEP 2



COMPLETED

