

Assembly Instructions

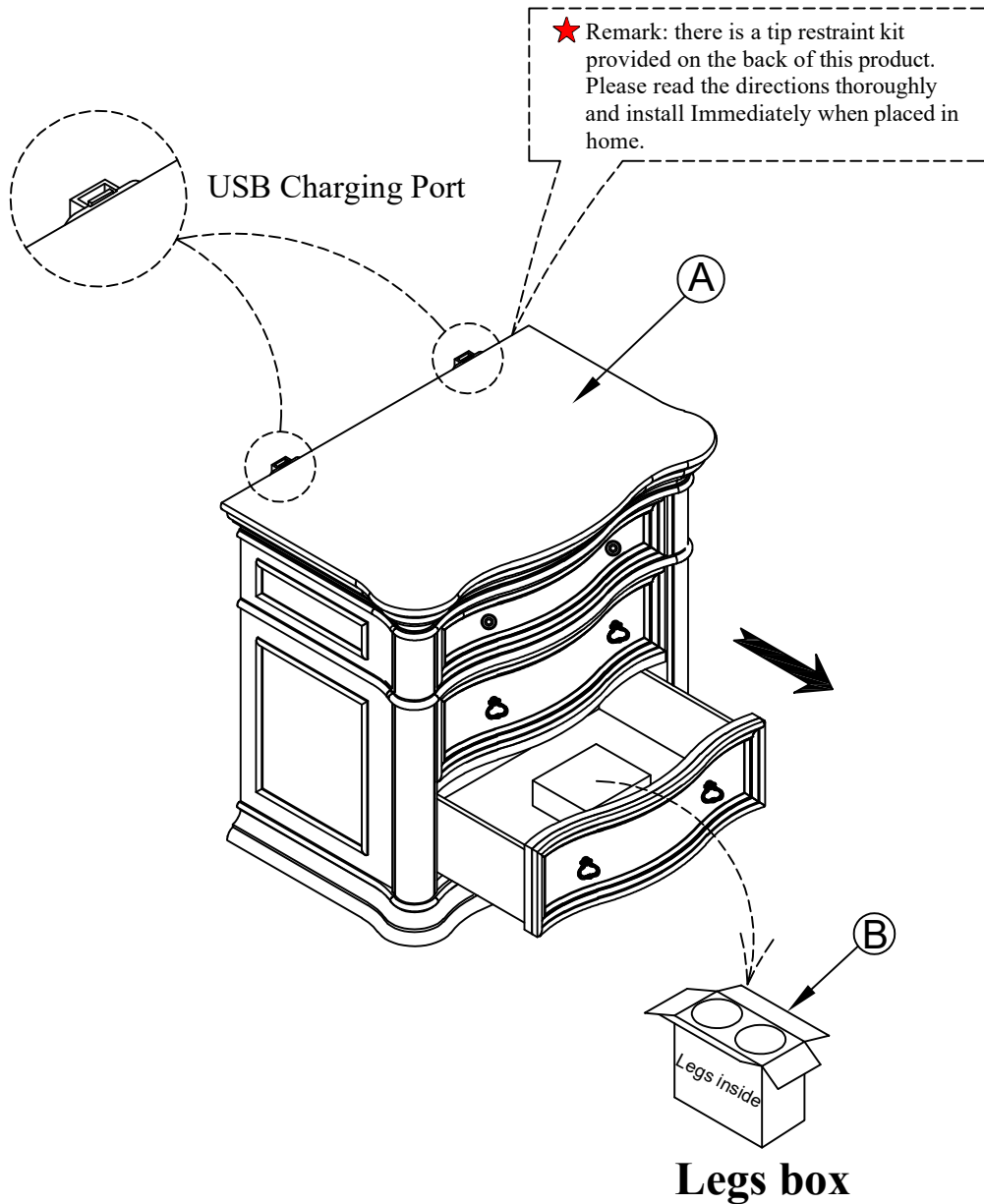
Model : # 321-120 3 DRAWER NIGHT STAND WOODEN TOP (V#12600MHWF1)
Model : # 321-121 3 DRAWER NIGHT STAND WITH MARBLE TOP (V#12600MHWF1)

NOTE: KEEP THIS DOCUMENT FOR REFERENCE IN CASE PARTS ARE NEEDED
DO NOT TIGHTEN SCREWS UNTIL COMPLETELY ASSEMBLED!!
UNIT SHOULD BE ASSEMBLED BY TWO OR MORE PEOPLE.

PARTS LIST

No	Description	Q'TY
A	 3 Drawer Nightstand	1PC
B	 Legs	4PCS

STEP 1

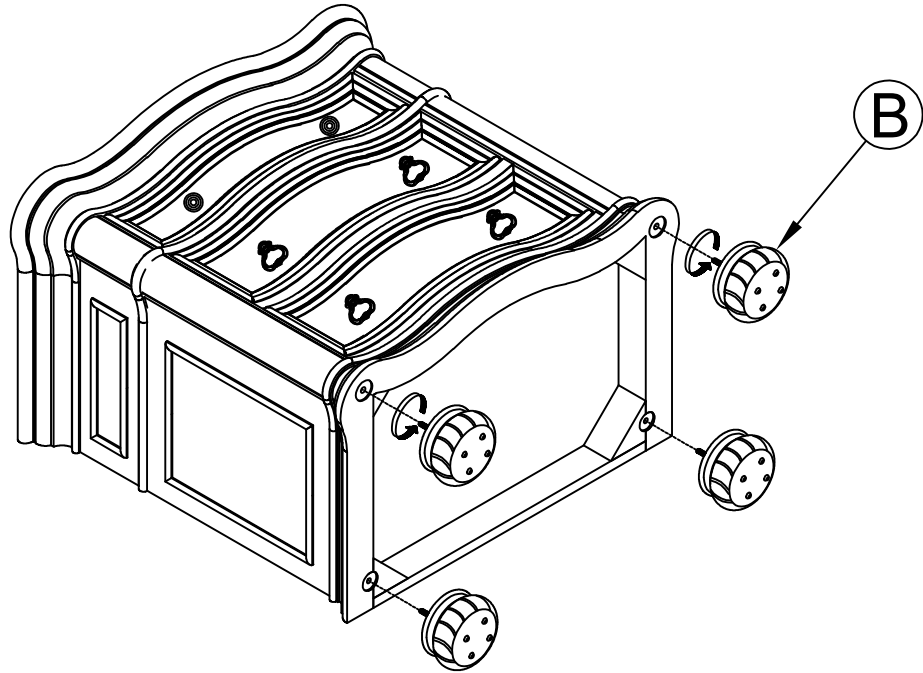


Assembly Instructions

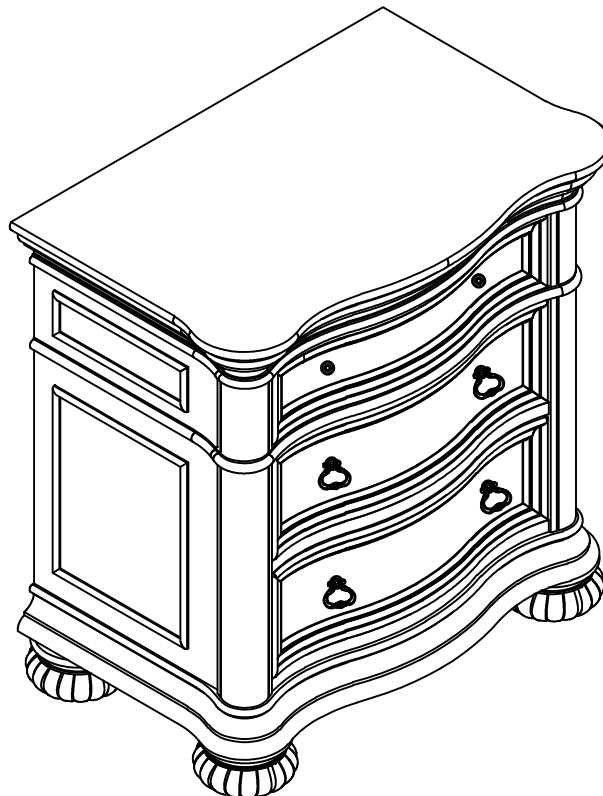
Model : # 321-120 3 DRAWER NIGHT STAND WOODEN TOP (V#12600MHWF1)
Model : # 321-121 3 DRAWER NIGHT STAND WITH MARBLE TOP (V#12600MHWF1)

NOTE: KEEP THIS DOCUMENT FOR REFERENCE IN CASE PARTS ARE NEEDED
DO NOT TIGHTEN SCREWS UNTIL COMPLETELY ASSEMBLED!!
UNIT SHOULD BE ASSEMBLED BY TWO OR MORE PEOPLE.

STEP 2



COMPLETE





Assembly Instructions

Model : # 321-150 5 DRAWER CHEST

(V#12600MHWF1)

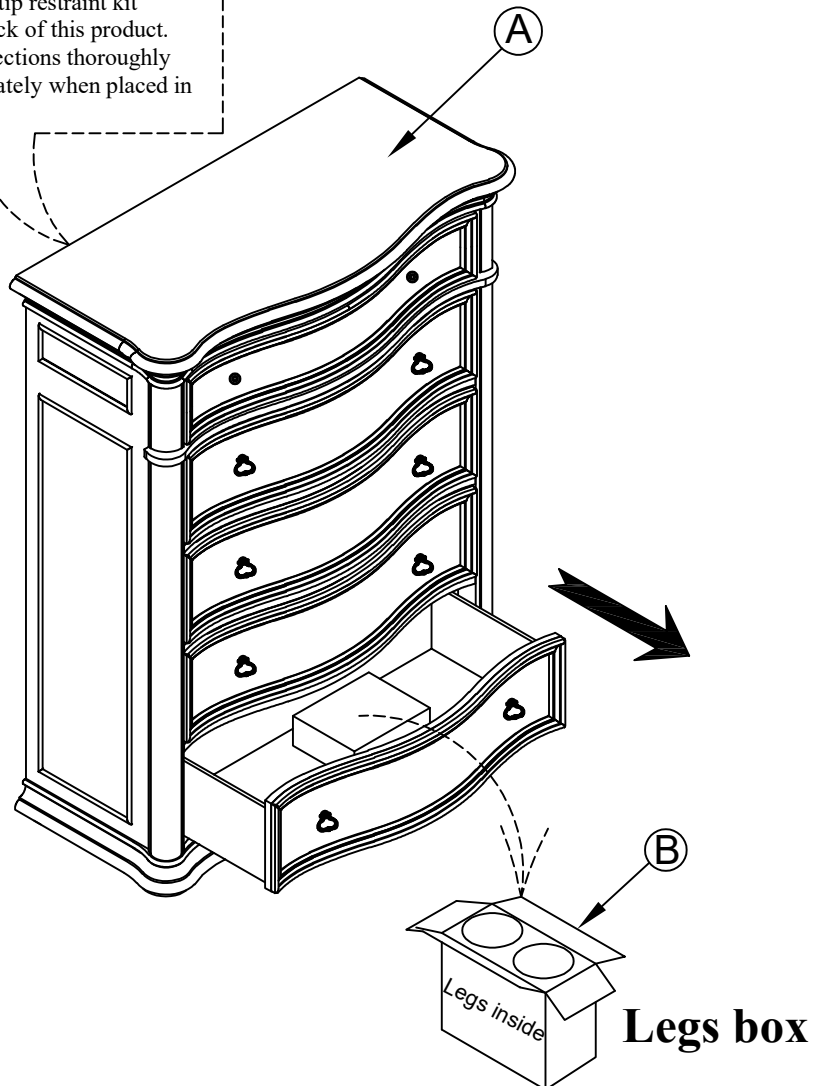
NOTE: KEEP THIS DOCUMENT FOR REFERENCE IN CASE PARTS ARE NEEDED
DO NOT TIGHTEN SCREWS UNTIL COMPLETELY ASSEMBLED!!
UNIT SHOULD BE ASSEMBLED BY TWO OR MORE PEOPLE.

PARTS LIST

No	Description	Q'TY
A	 5 Drawer Chest	1PC
B	 Legs	4PCS

STEP 1

★ Remark: there is a tip restraint kit provided on the back of this product. Please read the directions thoroughly and install immediately when placed in home.



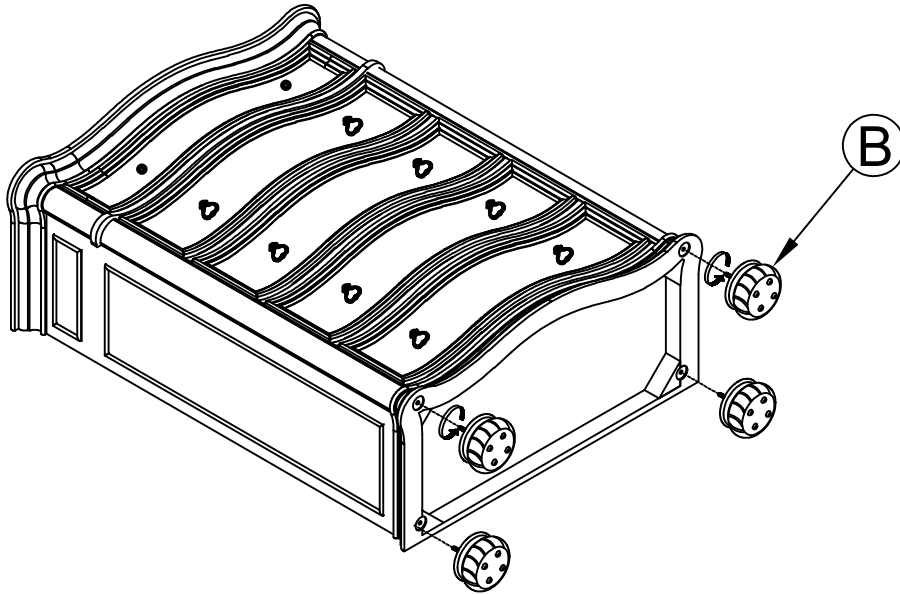
Assembly Instructions

Model : # 321-150 5 DRAWER CHEST

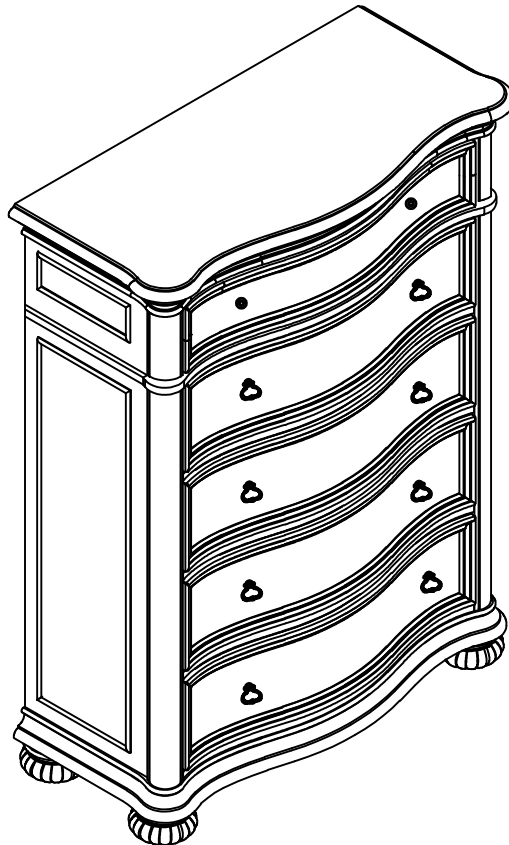
(V#12600MHWF1)

NOTE: KEEP THIS DOCUMENT FOR REFERENCE IN CASE PARTS ARE NEEDED
DO NOT TIGHTEN SCREWS UNTIL COMPLETELY ASSEMBLED!!
UNIT SHOULD BE ASSEMBLED BY TWO OR MORE PEOPLE.

STEP 2



COMPLETE





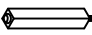
Assembly Instructions

Model : # 321-130 DRESSER

(V#12600MHWF1)

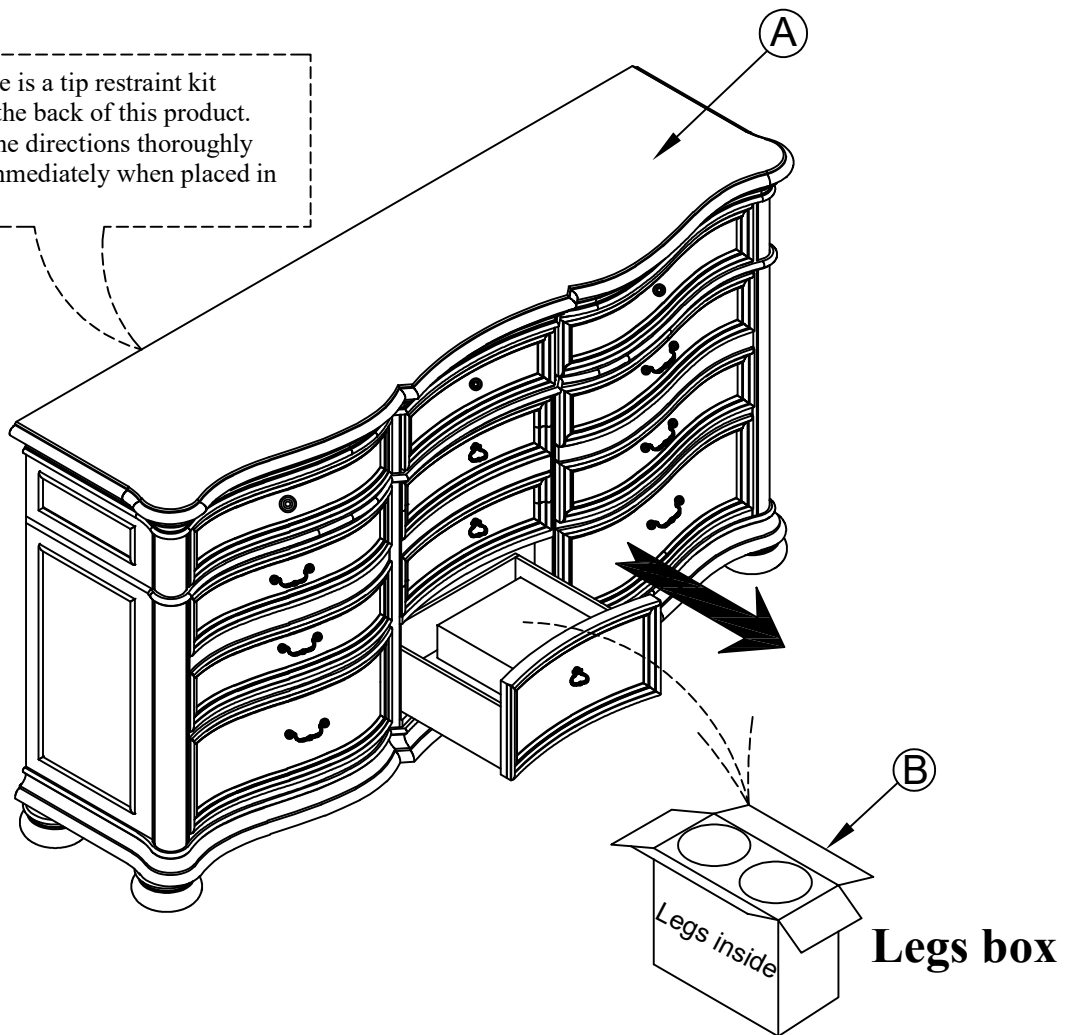
NOTE: KEEP THIS DOCUMENT FOR REFERENCE IN CASE PARTS ARE NEEDED
DO NOT TIGHTEN SCREWS UNTIL COMPLETELY ASSEMBLED!!
UNIT SHOULD BE ASSEMBLED BY TWO OR MORE PEOPLE.

PARTS LIST

No	Description	Q'TY
A	 Dresser	1PC
B	 Legs	4PCS
C	 Adjust leveler leg	1PC

STEP 1

★ Remark: there is a tip restraint kit provided on the back of this product. Please read the directions thoroughly and install immediately when placed in home.



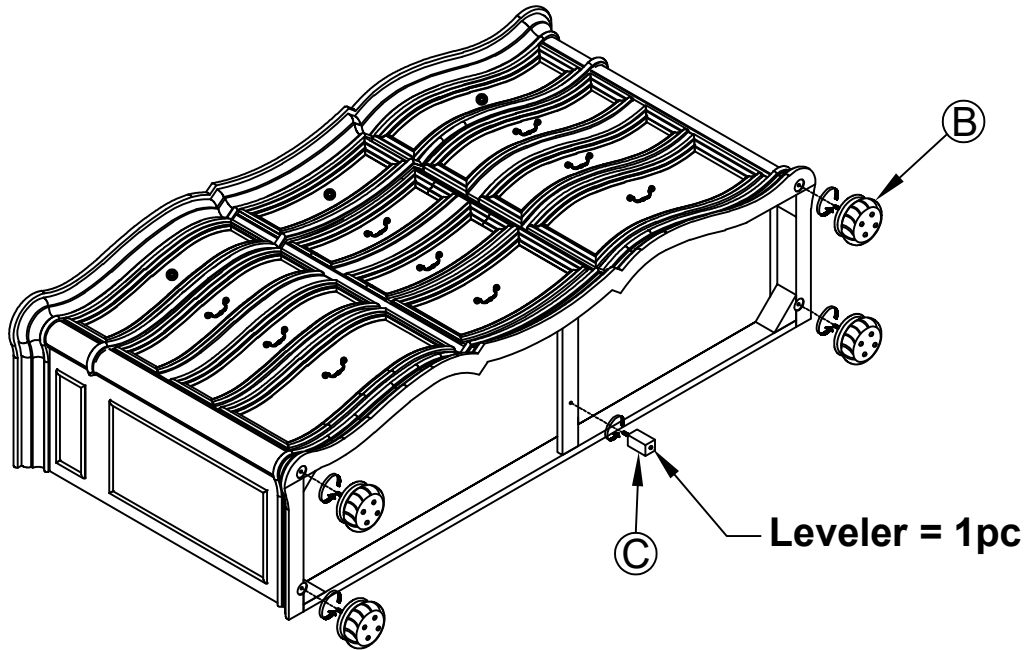
Assembly Instructions

Model : # 321-130 DRESSER

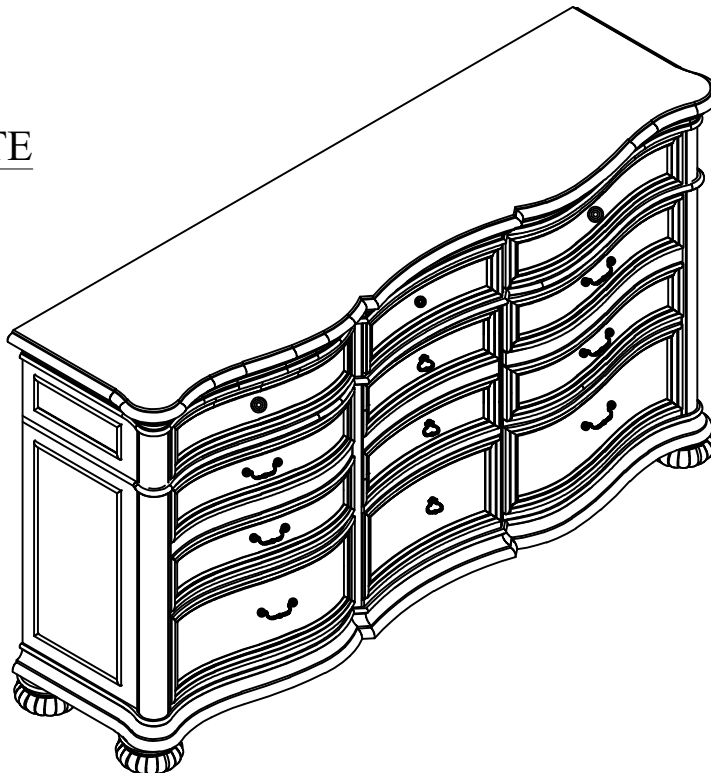
(V#12600MHWF1)

NOTE: KEEP THIS DOCUMENT FOR REFERENCE IN CASE PARTS ARE NEEDED
DO NOT TIGHTEN SCREWS UNTIL COMPLETELY ASSEMBLED!!
UNIT SHOULD BE ASSEMBLED BY TWO OR MORE PEOPLE.

STEP 2



COMPLETE






Assembly Instructions

Model : # 321-140 MIRROR





(V#12600MHWF1)

NOTE: KEEP THIS DOCUMENT FOR REFERENCE IN CASE PARTS ARE NEEDED
DO NOT TIGHTEN SCREWS UNTIL COMPLETELY ASSEMBLED!!
UNIT SHOULD BE ASSEMBLED BY TWO OR MORE PEOPLE.

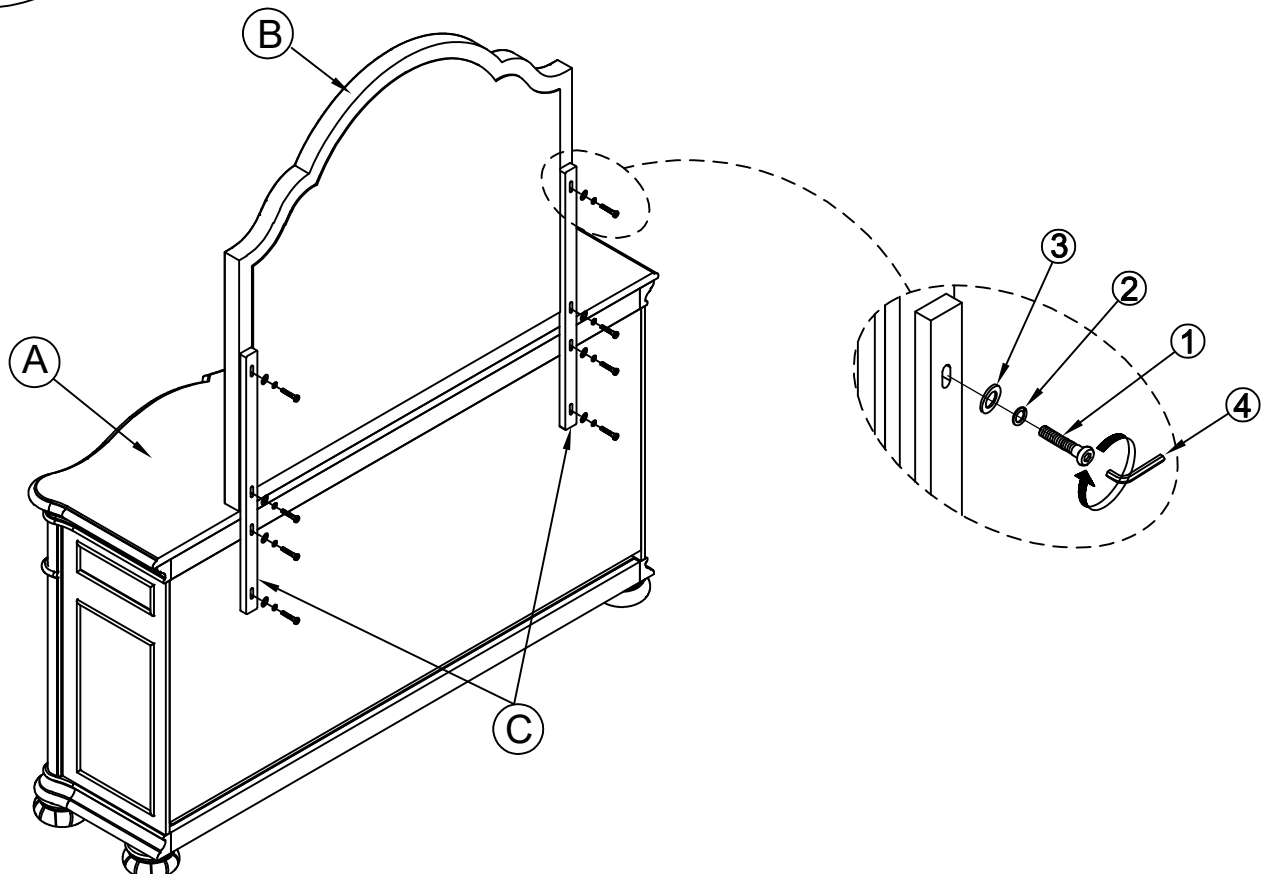
PARTS LIST

No	Description		Q'TY
A		Dresser	1PC
B		Mirror	1PC
C		Mirror support in Mirror Box	2PCS

HARDWARE LIST

No	Description		Q'TY
1		Allen bolt $\text{Ø}1/4" \times 1-1/2"$	8PCS
2		Lock washer $\text{Ø}1/4" \times \text{Ø}12\text{mm} \times 2\text{mm}$	8PCS
3		Flat washer $\text{Ø}1/4" \times \text{Ø}19\text{mm} \times 2\text{mm}$	8PCS
4		Allen key $2-1/4" \times 4\text{mm}$	1PC

STEP 1



Assembly Instructions

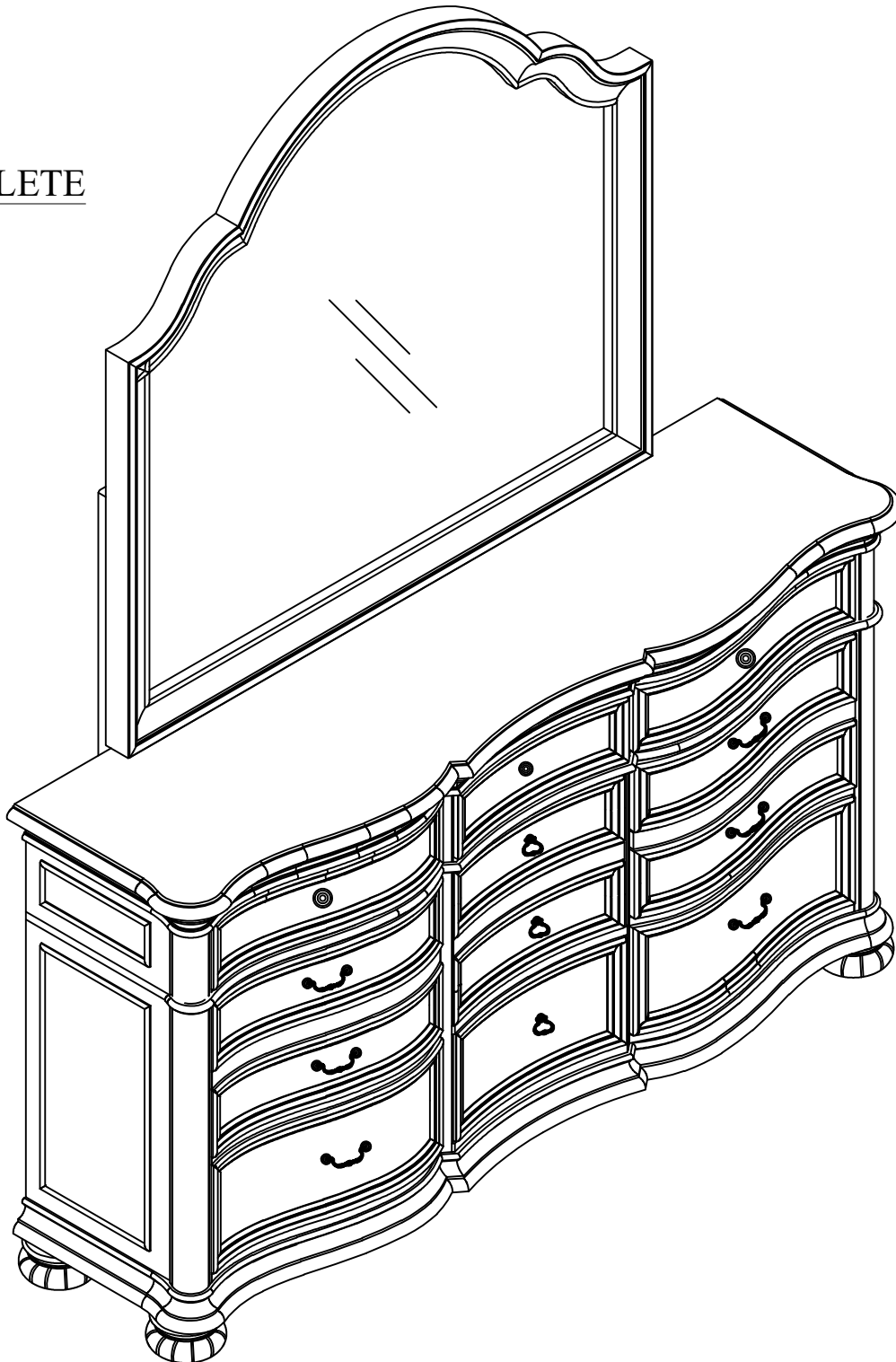
Model : # 321-140 MIRROR

(V#12600MHWF1)

NOTE: KEEP THIS DOCUMENT FOR REFERENCE IN CASE PARTS ARE NEEDED
DO NOT TIGHTEN SCREWS UNTIL COMPLETELY ASSEMBLED!!
UNIT SHOULD BE ASSEMBLED BY TWO OR MORE PEOPLE.

STEP 2

COMPLETE



ASSEMBLY INSTRUCTIONS





MODEL # : 321-105HQ QUEEN PANEL HEADBOARD (V#12600MHWF1)

MODEL # : 321-105FQ QUEEN PANEL FOOTBOARD (V#12600MHWF1)



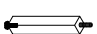

MODEL # : 321-105RL QUEEN /KING RAILS (V#12600MHWF1)

NOTE: KEEP THIS DOCUMENT FOR REFERENCE IN CASE PARTS ARE NEEDED
DO NOT TIGHTEN SCREWS UNTIL COMPLETELY ASSEMBLED!!
UNIT SHOULD BE ASSEMBLED BY TWO OR MORE PEOPLE.

PARTS LIST OF # 321-105HQ QUEEN PANEL HEADBOARD






No		DESCRIPTION	Q'TY
A		Headboard	1PC
B		Queen /King Headboard Legs (Left&Right)	2PCS
C		Cap	2PCS
D		Headboard Stretcher	1PC






PARTS LIST OF # 321-105FQ QUEEN PANEL FOOTBOARD

No		DESCRIPTION	Q'TY
E		Footboard	1PC
F		Slat	4PCS
G		Support Legs with leveler	4PCS
C		Cap	2PCS

PARTS LIST OF # 321-105RL QUEEN /KING RAILS

No		DESCRIPTION	Q'TY
H		Side rails	2PCS

No	HARDWARE LIST OF HEADBOARD			Q'TY
1		BOLT	Ø5/16" x 1-3/4"	6PCS
2		LOCK WASHER	Ø5/16"*Ø12mm*2mm	8PCS
3		FLAT WASHER	Ø5/16" *Ø19mm*2mm	8PCS
4		BOLT	Ø5/16" x1-1/2"	2PCS
5		ALLEN KEY	2-1/4"*4mm	1PC

No	HARDWARE LIST OF FOOTBOARD			Q'TY
6		THREAD BOLT	Ø5/16" x 90mmL	8PCS
7		CURVED WASHERS	Ø5/16" DIA	8PCS
8		HEX NUT	Ø5/16" DIA	8PCS
9		OPEN WRENCH	12mm	1PC
10		SCREW	Ø8*30mm	8PCS

ASSEMBLY INSTRUCTIONS

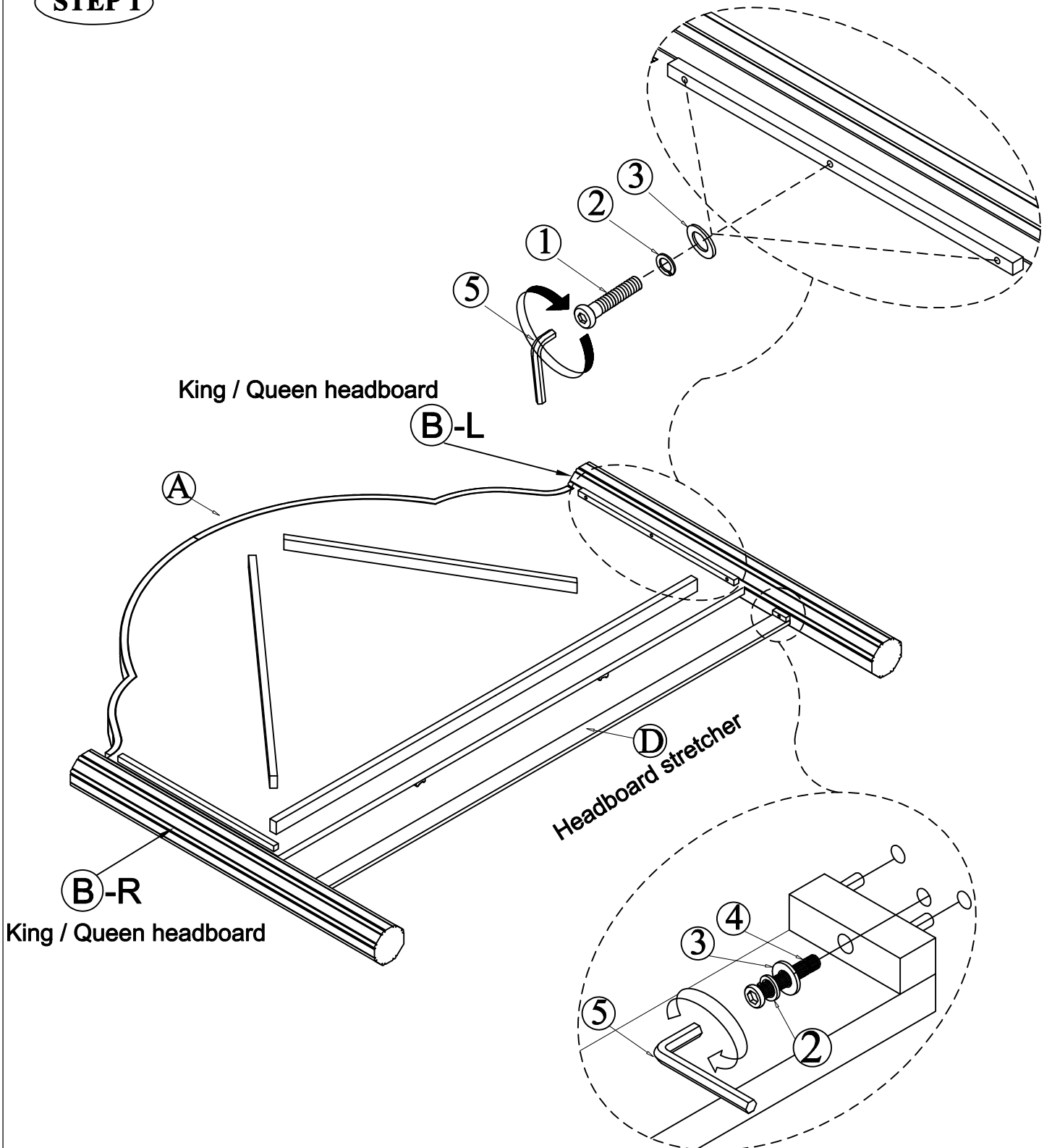
MODEL # : 321-105HQ QUEEN PANEL HEADBOARD (V#12600MHWF1)

MODEL # : 321-105FQ QUEEN PANEL FOOTBOARD (V#12600MHWF1)

MODEL # : 321-105RL QUEEN /KING RAILS (V#12600MHWF1)

NOTE: KEEP THIS DOCUMENT FOR REFERENCE IN CASE PARTS ARE NEEDED
DO NOT TIGHTEN SCREWS UNTIL COMPLETELY ASSEMBLED!!
UNIT SHOULD BE ASSEMBLED BY TWO OR MORE PEOPLE.

STEP 1



ASSEMBLY INSTRUCTIONS

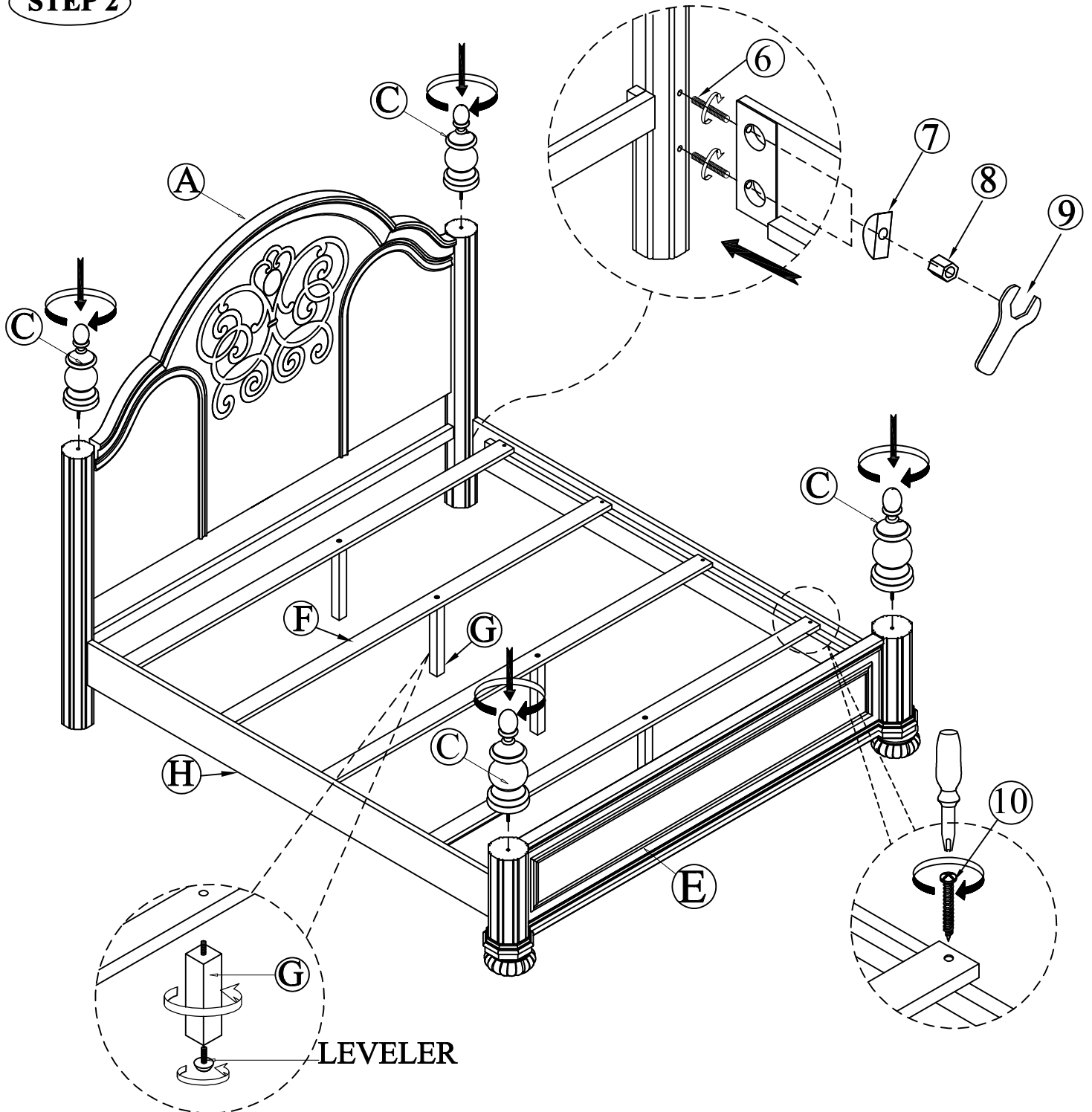
MODEL # : 321-105HQ QUEEN PANEL HEADBOARD (V#12600MHWF1)

MODEL # : 321-105FQ QUEEN PANEL FOOTBOARD (V#12600MHWF1)

MODEL # : 321-105RL QUEEN /KING RAILS (V#12600MHWF1)

NOTE: KEEP THIS DOCUMENT FOR REFERENCE IN CASE PARTS ARE NEEDED
DO NOT TIGHTEN SCREWS UNTIL COMPLETELY ASSEMBLED!!
UNIT SHOULD BE ASSEMBLED BY TWO OR MORE PEOPLE.

STEP 2



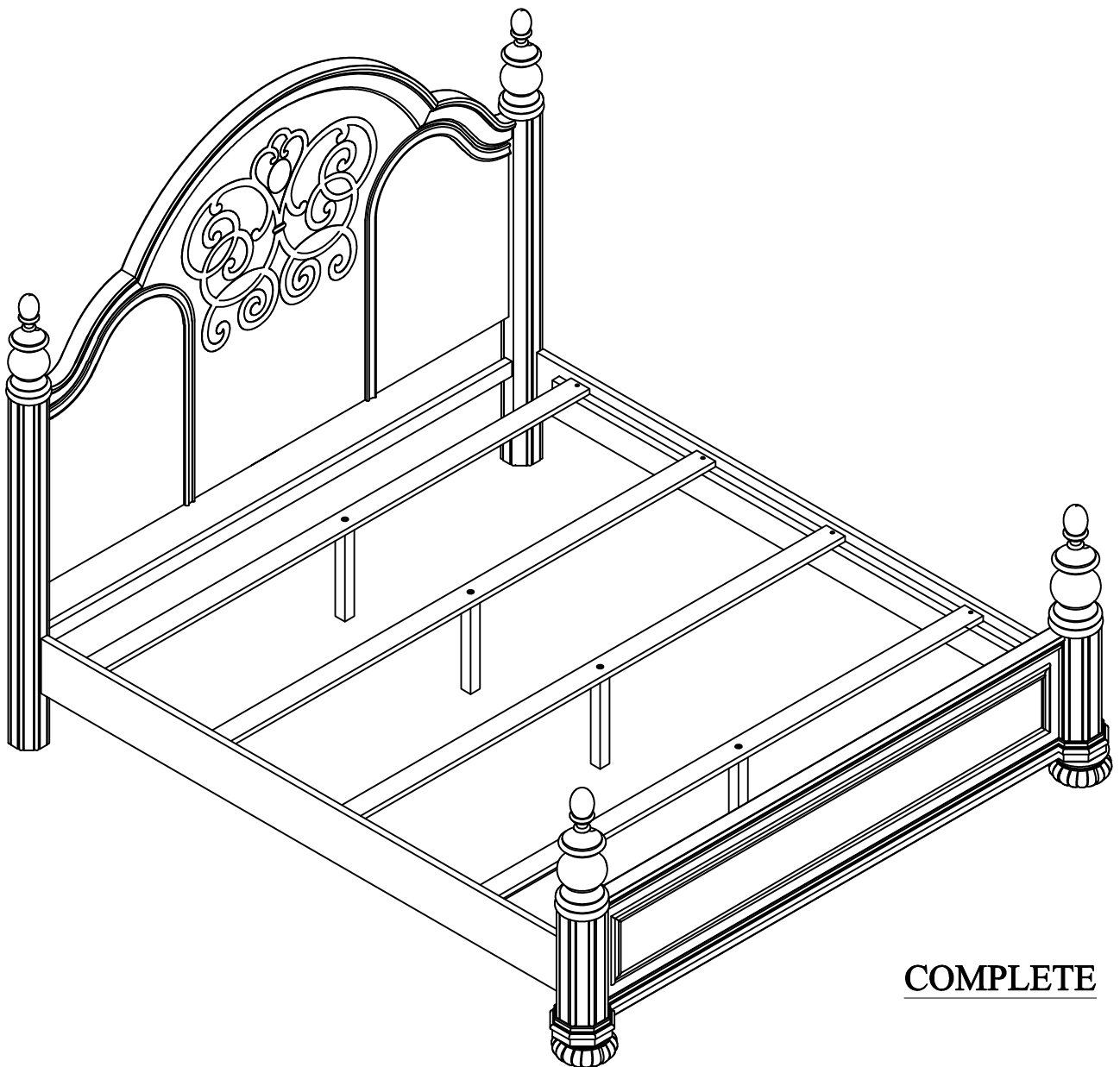
ASSEMBLY INSTRUCTIONS

MODEL # : 321-105HQ QUEEN PANEL HEADBOARD (V#12600MHWF1)

MODEL # : 321-105FQ QUEEN PANEL FOOTBOARD (V#12600MHWF1)

MODEL # : 321-105RL QUEEN /KING RAILS (V#12600MHWF1)

NOTE: KEEP THIS DOCUMENT FOR REFERENCE IN CASE PARTS ARE NEEDED
DO NOT TIGHTEN SCREWS UNTIL COMPLETELY ASSEMBLED!!
UNIT SHOULD BE ASSEMBLED BY TWO OR MORE PEOPLE.







ASSEMBLY INSTRUCTIONS



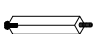

MODEL # : 321-110HK KING PANEL HEADBOARD (V#12600MHWF1)
MODEL # : 321-110FK KING PANEL FOOTBOARD (V#12600MHWF1)
MODEL # : 321-105RL QUEEN /KING RAILS (V#12600MHWF1)

NOTE: KEEP THIS DOCUMENT FOR REFERENCE IN CASE PARTS ARE NEEDED
 DO NOT TIGHTEN SCREWS UNTIL COMPLETELY ASSEMBLED!!
 UNIT SHOULD BE ASSEMBLED BY TWO OR MORE PEOPLE.

PARTS LIST OF # 321-110HK KING PANEL HEADBOARD




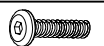

No	DESCRIPTION	Q'TY
A	 Headboard	1PC
B	 Queen /King Headboard Legs (Left&Right)	2PCS
C	 Cap	2PCS
D	 Headboard Stretcher	1PC






PARTS LIST OF # 321-110FK KING PANEL FOOTBOARD

No	DESCRIPTION	Q'TY
E	 Footboard	1PC
F	 Slat	4PCS
G	 Support Legs with leveler	8PCS
C	 Cap	2PCS

PARTS LIST OF # 321-105RL QUEEN /KING RAILS

No	DESCRIPTION	Q'TY
H	 Side rails	2PCS

No	HARDWARE LIST OF HEADBOARD		Q'TY	
1		BOLT	Ø5/16" x 1-3/4"	6PCS
2		LOCK WASHER	Ø5/16"*Ø12mm*2mm	8PCS
3		FLAT WASHER	Ø5/16" *Ø19mm*2mm	8PCS
4		BOLT	Ø5/16" x1-1/2"	2PCS
5		ALLEN KEY	2-1/4"*4mm	1PC

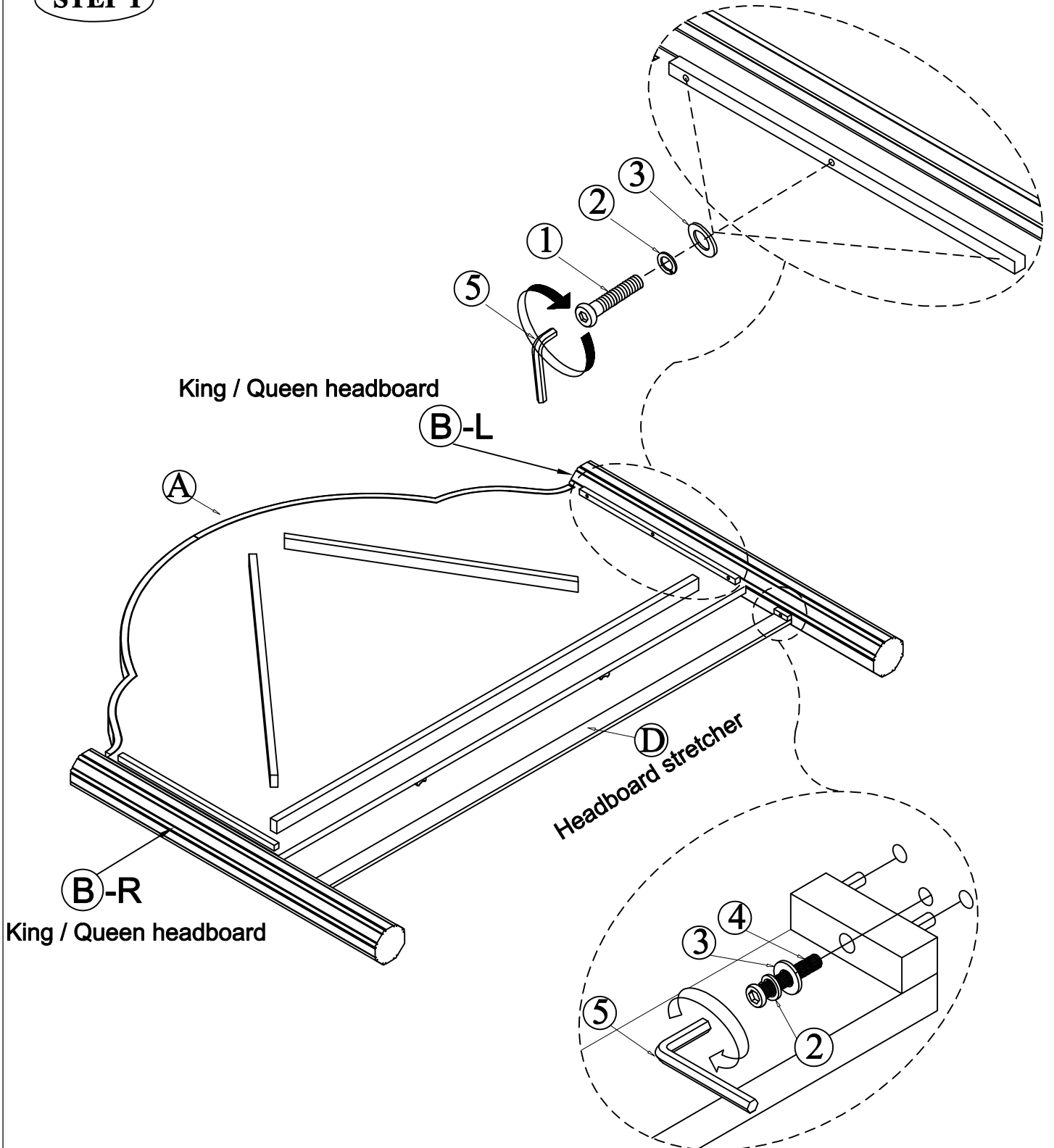
No	HARDWARE LIST OF FOOTBOARD		Q'TY	
6		THREAD BOLT	Ø5/16" x 90mmL	8PCS
7		CURVED WASHERS	Ø5/16" DIA	8PCS
8		HEX NUT	Ø5/16" DIA	8PCS
9		OPEN WRENCH	12mm	1PC
10		SCREW	Ø8*30mm	8PCS

ASSEMBLY INSTRUCTIONS

MODEL # : 321-110HK	KING PANEL HEADBOARD	(V#12600MHWF1)
MODEL # : 321-110FK	KING PANEL FOOTBOARD	(V#12600MHWF1)
MODEL # : 321-105RL	QUEEN /KING RAILS	(V#12600MHWF1)

NOTE: KEEP THIS DOCUMENT FOR REFERENCE IN CASE PARTS ARE NEEDED
DO NOT TIGHTEN SCREWS UNTIL COMPLETELY ASSEMBLED!!
UNIT SHOULD BE ASSEMBLED BY TWO OR MORE PEOPLE.

STEP 1



ASSEMBLY INSTRUCTIONS

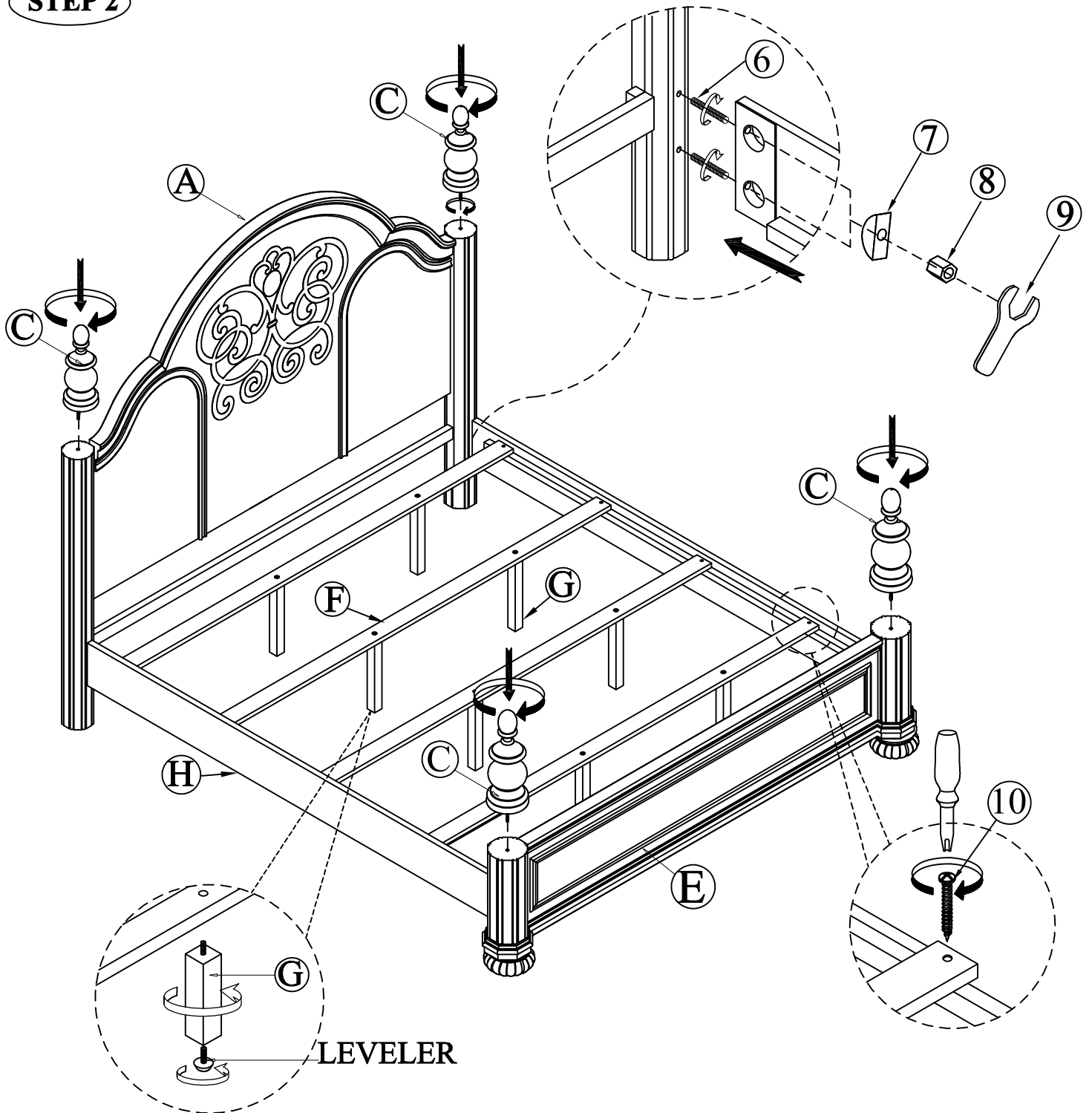
MODEL # : 321-110HK KING PANEL HEADBOARD (V#12600MHWF1)

MODEL # : 321-110FK KING PANEL FOOTBOARD (V#12600MHWF1)

MODEL # : 321-105RL QUEEN /KING RAILS (V#12600MHWF1)

NOTE: KEEP THIS DOCUMENT FOR REFERENCE IN CASE PARTS ARE NEEDED
DO NOT TIGHTEN SCREWS UNTIL COMPLETELY ASSEMBLED!!
UNIT SHOULD BE ASSEMBLED BY TWO OR MORE PEOPLE.

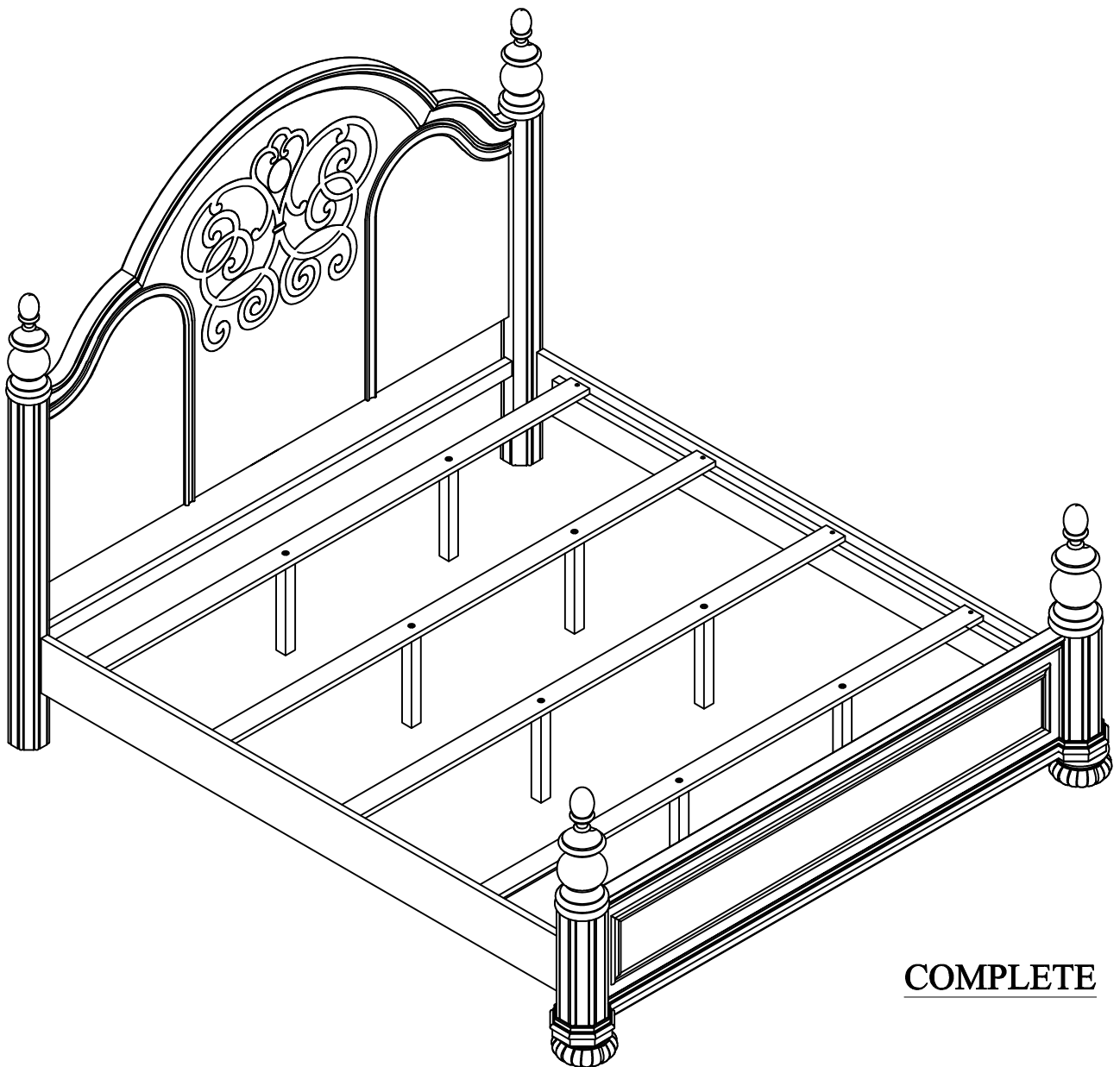
STEP 2



ASSEMBLY INSTRUCTIONS

MODEL # : 321-110HK	KING PANEL HEADBOARD	(V#12600MHWF1)
MODEL # : 321-110FK	KING PANEL FOOTBOARD	(V#12600MHWF1)
MODEL # : 321-105RL	QUEEN /KING RAILS	(V#12600MHWF1)

NOTE: KEEP THIS DOCUMENT FOR REFERENCE IN CASE PARTS ARE NEEDED
DO NOT TIGHTEN SCREWS UNTIL COMPLETELY ASSEMBLED!!
UNIT SHOULD BE ASSEMBLED BY TWO OR MORE PEOPLE.

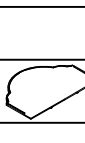



Assembly Instructions






Model : # 321-108HQ	QUEEN CANOPY HEADBOARD	(V#12600MHWF1)
Model : # 321-108FQ	QUEEN CANOPY FOOTBOARD	(V#12600MHWF1)
Model : # 321-108RL	QUEEN / KING CANOPY RAILS	(V#12600MHWF1)
Model : # 321-POSTS	QUEEN / KING POSTS	(V#12600MHWF1)
Model : # 321-108CAN	QUEEN CANOPY FRAME	(V#12600MHWF1)

NOTE: KEEP THIS DOCUMENT FOR REFERENCE IN CASE PARTS ARE NEEDED
DO NOT TIGHTEN SCREWS UNTIL COMPLETELY ASSEMBLED!!
UNIT SHOULD BE ASSEMBLED BY TWO OR MORE PEOPLE.

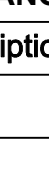
PARTS LIST OF # 321-108HQ QUEEN CANOPY HEADBOARD

No		Description	Q'TY
A		Headboard panel	1PC
B		Headboard stretcher	1PC

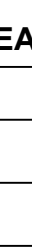
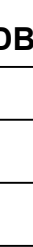
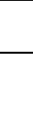
HARDWARE LIST OF # 321-108HQ QUEEN CANOPY HEADBOARD

No		Description	Q'TY	
1		Bolt	Ø5/16" x 1-3/4"	6PCS
2		Lock washer	Ø5/16" x Ø12mm x 2mm	8PCS
3		Flat washer	Ø5/16" x Ø19mm x 2mm	8PCS
4		Bolt	Ø5/16" x 1-1/2"	2PCS
5		Allen key	2-1/4" x 4mm	1PC

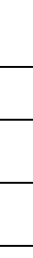
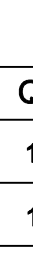

PARTS LIST OF # 321-108RL QUEEN / KING CANOPY RAILS

No		Description	Q'TY
C		Side rails	2PCS

PARTS LIST OF # 321-POSTS QUEEN / KING POSTS

No		Description	Q'TY
D		King / Queen headboard posts (left & right)	2PCS
E		King / Queen footboard posts (left & right)	2PCS
F		Caps	4PCS

PARTS LIST OF # 321-108CAN QUEEN CANOPY FRAME





No		Description	Q'TY
G		Long metal	2PCS
H		Short metal	2PCS
I		Metal	4PCS

Assembly Instructions

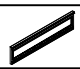

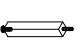
Model : # 321-108HQ	QUEEN CANOPY HEADBOARD	(V#12600MHWF1)
Model : # 321-108FQ	QUEEN CANOPY FOOTBOARD	(V#12600MHWF1)
Model : # 321-108RL	QUEEN / KING CANOPY RAILS	(V#12600MHWF1)
Model : # 321-POSTS	QUEEN / KING POSTS	(V#12600MHWF1)
Model : # 321-108CAN	QUEEN CANOPY FRAME	(V#12600MHWF1)

NOTE: KEEP THIS DOCUMENT FOR REFERENCE IN CASE PARTS ARE NEEDED
DO NOT TIGHTEN SCREWS UNTIL COMPLETELY ASSEMBLED!!
UNIT SHOULD BE ASSEMBLED BY TWO OR MORE PEOPLE.



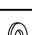






HARDWARE LIST # 321-108CAN QUEEN CANOPY FRAME

No	Description			Q'TY
6		Flat washer	Ø1/4" x Ø16mm x 2mm	8PCS
7		Lock washer	Ø1/4" x Ø12mm x 2mm	8PCS
8		Bolt	Ø1/4" x 1"	8PCS
9		Allen key	2-1/4" x 4mm	1PC

PARTS LIST OF # 321-108FQ QUEEN CANOPY FOOTBOARD

No	Description			Q'TY
J		Footboard panel		1PC
K		Slats		4PCS
L		Support legs with leveler		4PCS

HARDWARE LIST OF # 321-108FQ QUEEN CANOPY FOOTBOARD

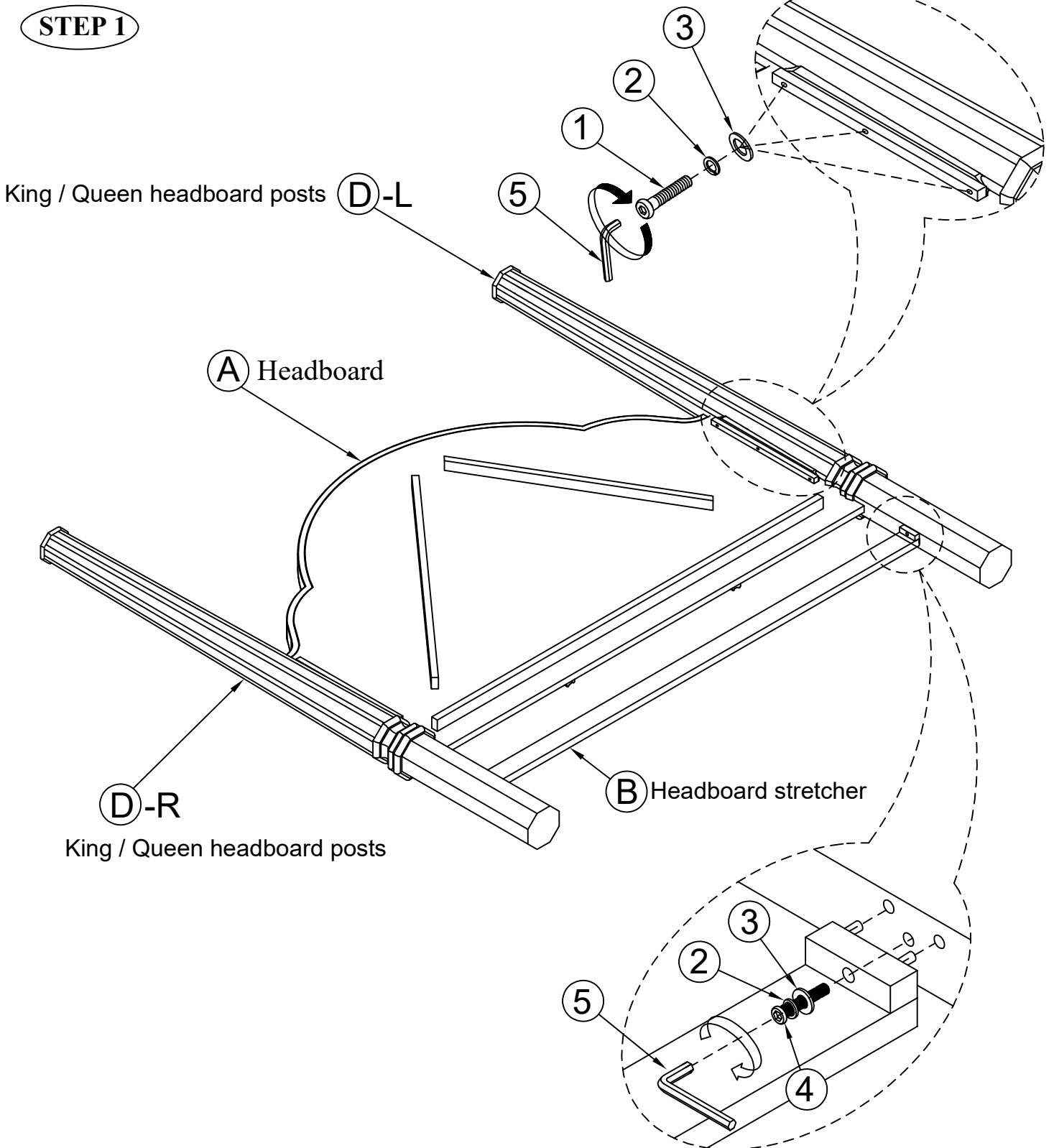
No	Description			Q'TY
10		Bolt	Ø5/16" x 1"-3/4"	4PCS
11		Lock washer	Ø5/16" x Ø12mm x 2mm	4PCS
12		Flat washer	Ø5/16" x Ø16mm x 2mm	4PCS
13		Allen key	2-1/4" x 4mm	1PC
14		Thread bolt	Ø5/16" x 90mm L	8PCS
15		Curved washer	Ø5/16" DIA	8PCS
16		Hex nut	Ø5/16" DIA	8PCS
17		Open wrench	12mm	1PC
18		Screw	Ø8 x 30mm	8PCS

Assembly Instructions

Model : # 321-108HQ	QUEEN CANOPY HEADBOARD	(V#12600MHWF1)
Model : # 321-108FQ	QUEEN CANOPY FOOTBOARD	(V#12600MHWF1)
Model : # 321-108RL	QUEEN / KING CANOPY RAILS	(V#12600MHWF1)
Model : # 321-POSTS	QUEEN / KING POSTS	(V#12600MHWF1)
Model : # 321-108CAN	QUEEN CANOPY FRAME	(V#12600MHWF1)

NOTE: KEEP THIS DOCUMENT FOR REFERENCE IN CASE PARTS ARE NEEDED
DO NOT TIGHTEN SCREWS UNTIL COMPLETELY ASSEMBLED!!
UNIT SHOULD BE ASSEMBLED BY TWO OR MORE PEOPLE.

STEP 1

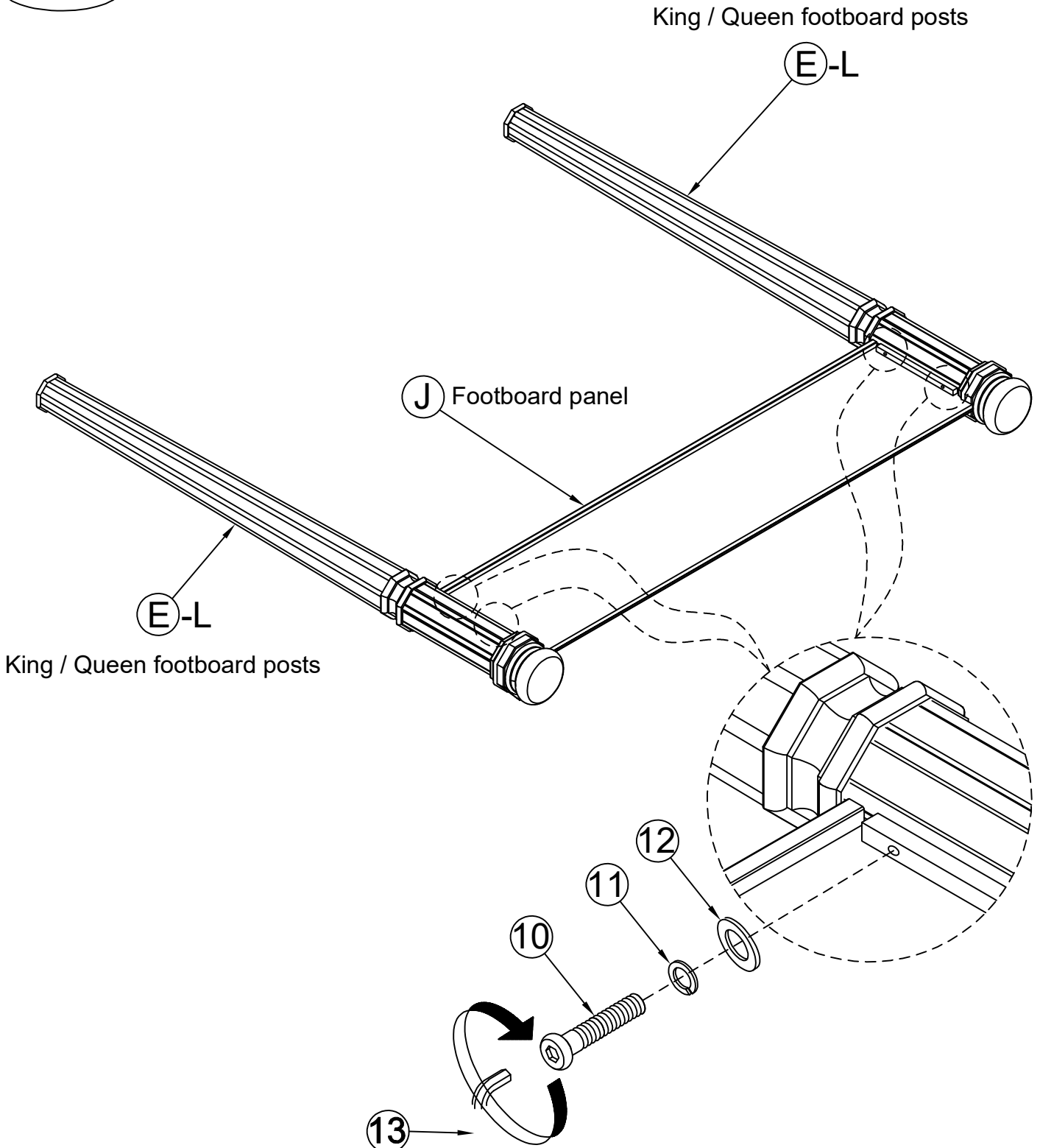


Assembly Instructions

Model : # 321-108HQ	QUEEN CANOPY HEADBOARD	(V#12600MHWF1)
Model : # 321-108FQ	QUEEN CANOPY FOOTBOARD	(V#12600MHWF1)
Model : # 321-108RL	QUEEN / KING CANOPY RAILS	(V#12600MHWF1)
Model : # 321-POSTS	QUEEN / KING POSTS	(V#12600MHWF1)
Model : # 321-108CAN	QUEEN CANOPY FRAME	(V#12600MHWF1)

NOTE: KEEP THIS DOCUMENT FOR REFERENCE IN CASE PARTS ARE NEEDED
DO NOT TIGHTEN SCREWS UNTIL COMPLETELY ASSEMBLED!!
UNIT SHOULD BE ASSEMBLED BY TWO OR MORE PEOPLE.

STEP 2

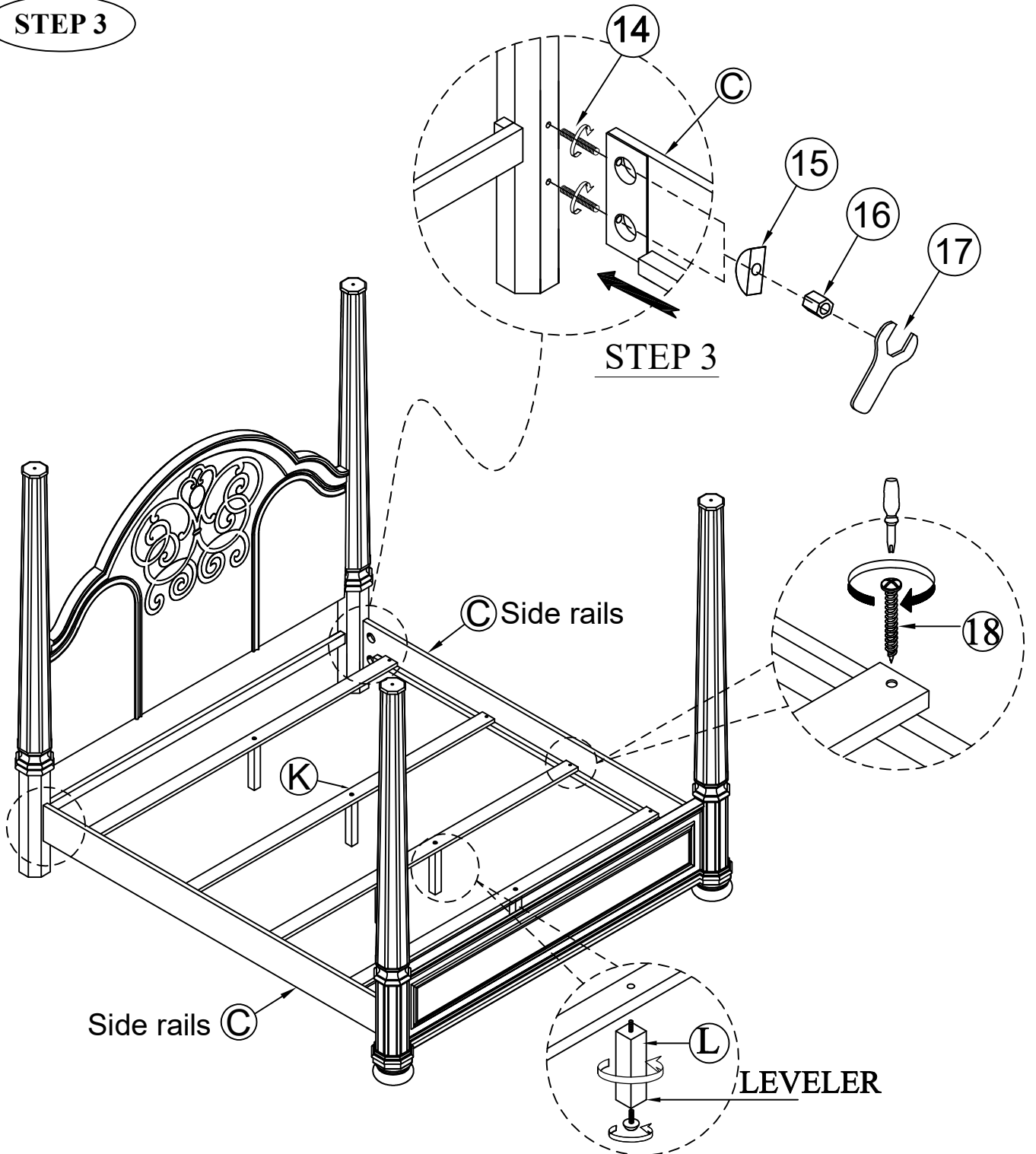


Assembly Instructions

Model : # 321-108HQ	QUEEN CANOPY HEADBOARD	(V#12600MHWF1)
Model : # 321-108FQ	QUEEN CANOPY FOOTBOARD	(V#12600MHWF1)
Model : # 321-108RL	QUEEN / KING CANOPY RAILS	(V#12600MHWF1)
Model : # 321-POSTS	QUEEN / KING POSTS	(V#12600MHWF1)
Model : # 321-108CAN	QUEEN CANOPY FRAME	(V#12600MHWF1)

NOTE: KEEP THIS DOCUMENT FOR REFERENCE IN CASE PARTS ARE NEEDED
DO NOT TIGHTEN SCREWS UNTIL COMPLETELY ASSEMBLED!!
UNIT SHOULD BE ASSEMBLED BY TWO OR MORE PEOPLE.

STEP 3

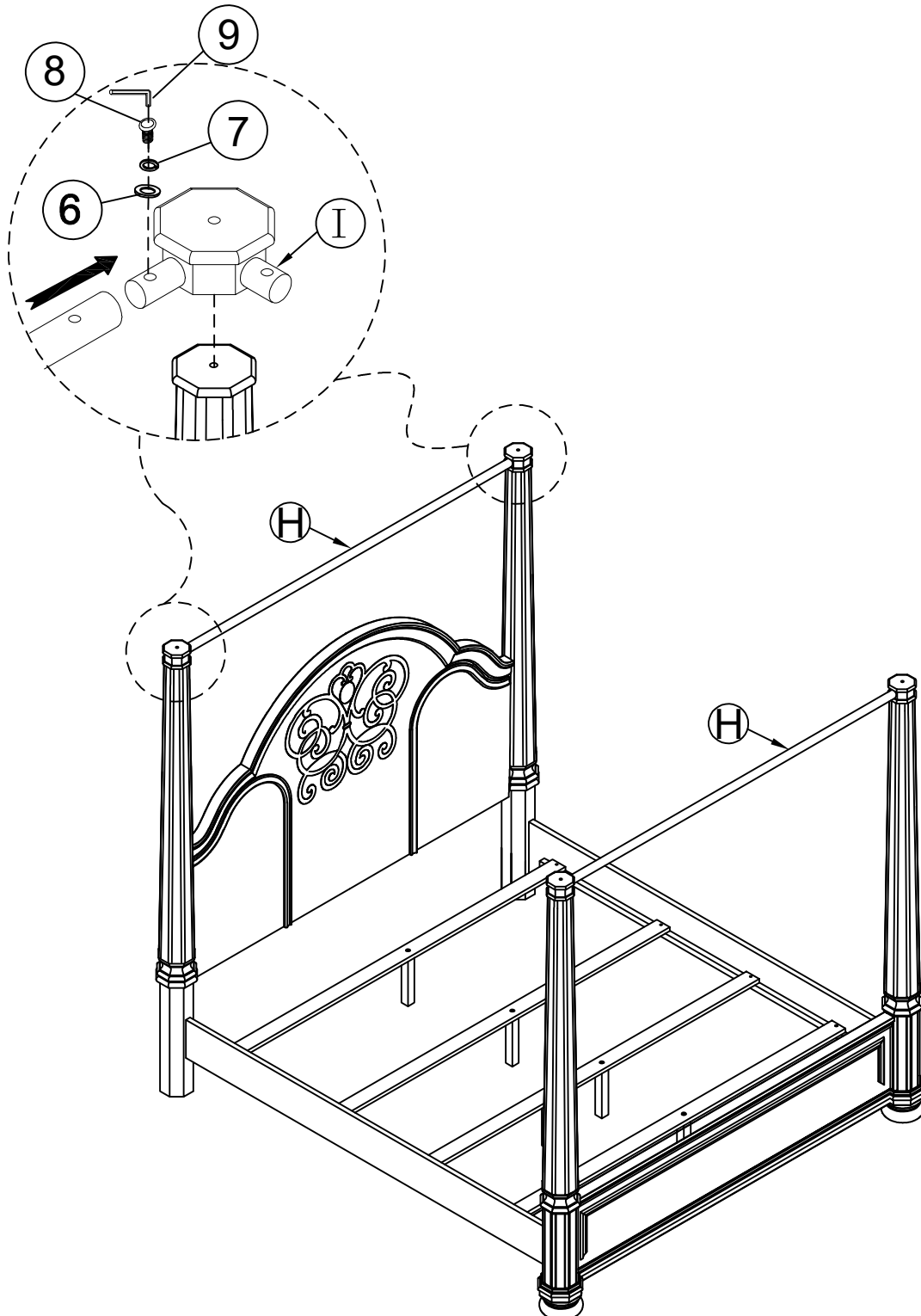


Assembly Instructions

Model : # 321-108HQ	QUEEN CANOPY HEADBOARD	(V#12600MHWF1)
Model : # 321-108FQ	QUEEN CANOPY FOOTBOARD	(V#12600MHWF1)
Model : # 321-108RL	QUEEN / KING CANOPY RAILS	(V#12600MHWF1)
Model : # 321-POSTS	QUEEN / KING POSTS	(V#12600MHWF1)
Model : # 321-108CAN	QUEEN CANOPY FRAME	(V#12600MHWF1)

NOTE: KEEP THIS DOCUMENT FOR REFERENCE IN CASE PARTS ARE NEEDED
DO NOT TIGHTEN SCREWS UNTIL COMPLETELY ASSEMBLED!!
UNIT SHOULD BE ASSEMBLED BY TWO OR MORE PEOPLE.

STEP 4

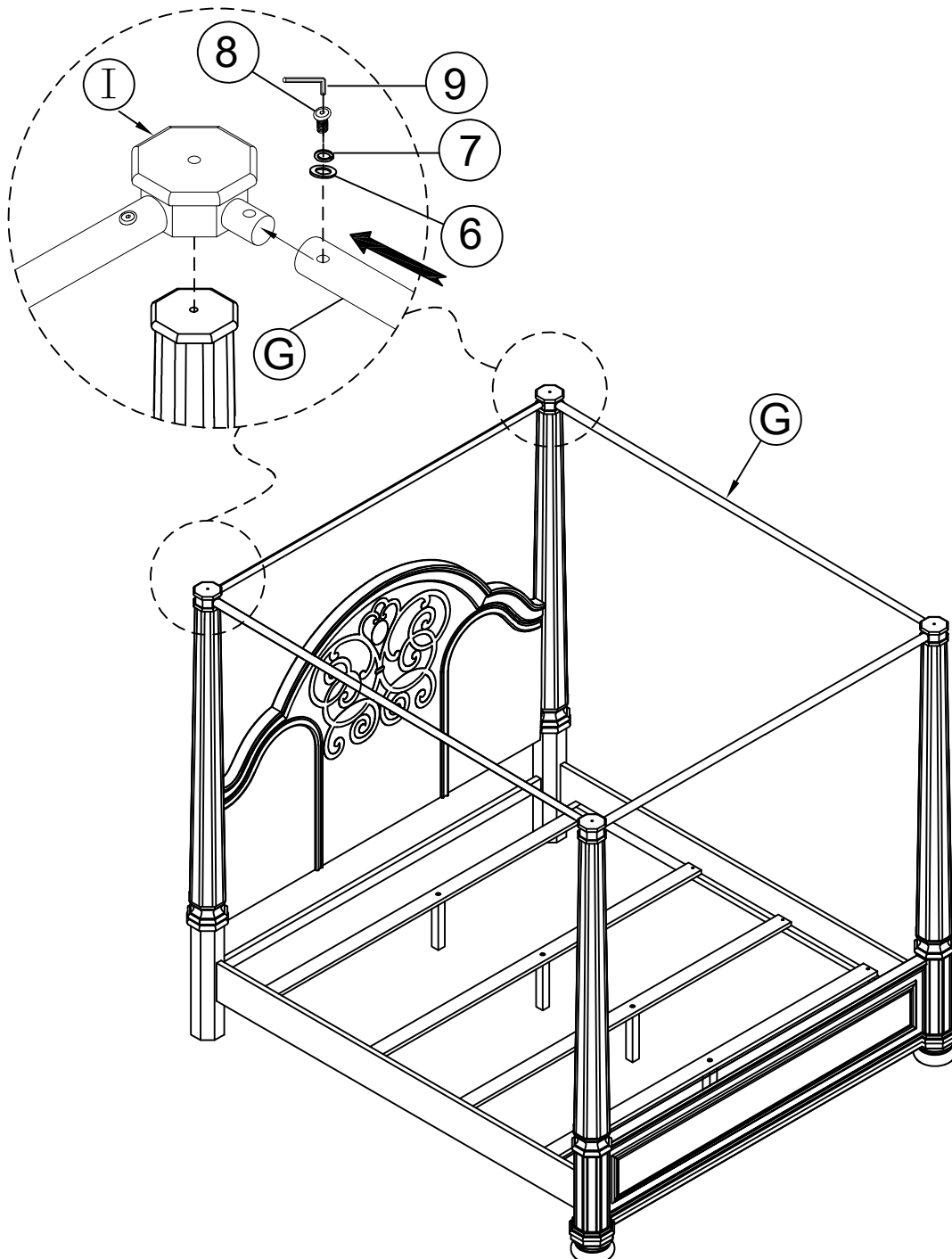


Assembly Instructions

Model : # 321-108HQ	QUEEN CANOPY HEADBOARD	(V#12600MHWF1)
Model : # 321-108FQ	QUEEN CANOPY FOOTBOARD	(V#12600MHWF1)
Model : # 321-108RL	QUEEN / KING CANOPY RAILS	(V#12600MHWF1)
Model : # 321-POSTS	QUEEN / KING POSTS	(V#12600MHWF1)
Model : # 321-108CAN	QUEEN CANOPY FRAME	(V#12600MHWF1)

NOTE: KEEP THIS DOCUMENT FOR REFERENCE IN CASE PARTS ARE NEEDED
DO NOT TIGHTEN SCREWS UNTIL COMPLETELY ASSEMBLED!!
UNIT SHOULD BE ASSEMBLED BY TWO OR MORE PEOPLE.

STEP 5

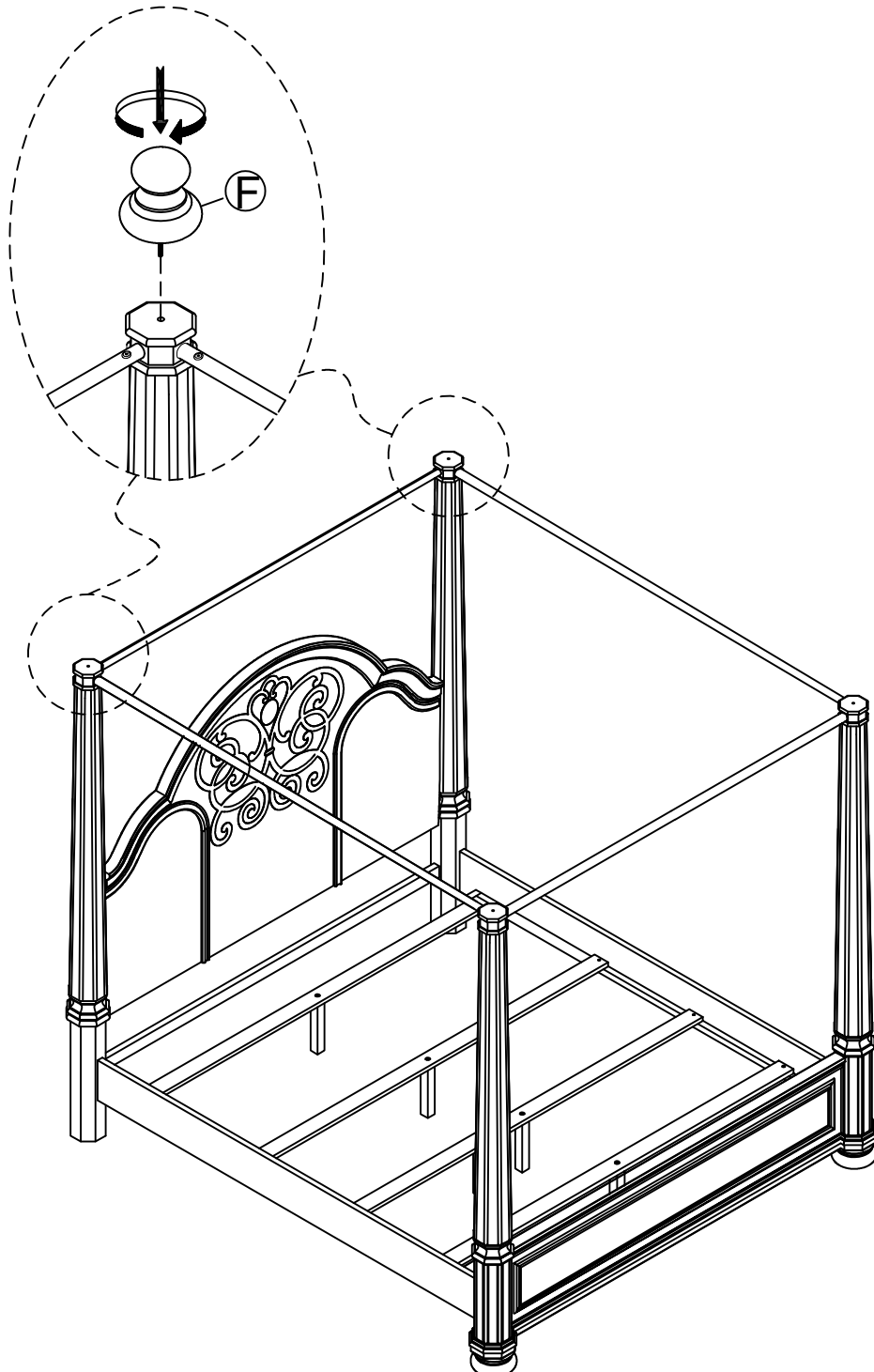


Assembly Instructions

Model : # 321-108HQ	QUEEN CANOPY HEADBOARD	(V#12600MHWF1)
Model : # 321-108FQ	QUEEN CANOPY FOOTBOARD	(V#12600MHWF1)
Model : # 321-108RL	QUEEN / KING CANOPY RAILS	(V#12600MHWF1)
Model : # 321-POSTS	QUEEN / KING POSTS	(V#12600MHWF1)
Model : # 321-108CAN	QUEEN CANOPY FRAME	(V#12600MHWF1)

NOTE: KEEP THIS DOCUMENT FOR REFERENCE IN CASE PARTS ARE NEEDED
DO NOT TIGHTEN SCREWS UNTIL COMPLETELY ASSEMBLED!!
UNIT SHOULD BE ASSEMBLED BY TWO OR MORE PEOPLE.

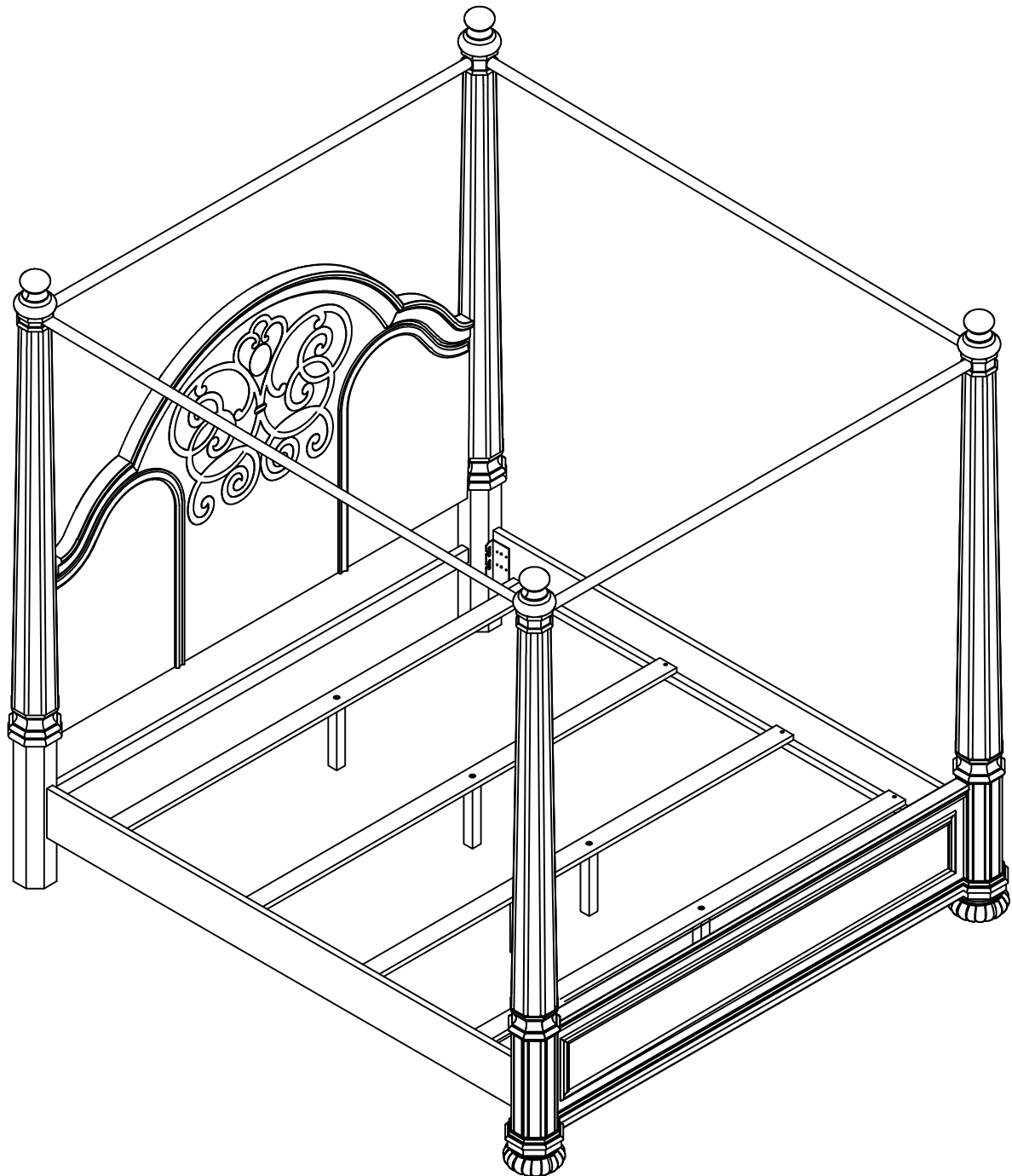
STEP 6



Assembly Instructions

Model : # 321-108HQ	QUEEN CANOPY HEADBOARD	(V#12600MHWF1)
Model : # 321-108FQ	QUEEN CANOPY FOOTBOARD	(V#12600MHWF1)
Model : # 321-108RL	QUEEN / KING CANOPY RAILS	(V#12600MHWF1)
Model : # 321-POSTS	QUEEN / KING POSTS	(V#12600MHWF1)
Model : # 321-108CAN	QUEEN CANOPY FRAME	(V#12600MHWF1)

NOTE: KEEP THIS DOCUMENT FOR REFERENCE IN CASE PARTS ARE NEEDED
DO NOT TIGHTEN SCREWS UNTIL COMPLETELY ASSEMBLED!!
UNIT SHOULD BE ASSEMBLED BY TWO OR MORE PEOPLE.





Assembly Instructions



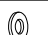


Model : # 321-113HK	KING CANOPY HEADBOARD	(V#12600MHWF1)
Model : # 321-113FK	KING CANOPY FOOTBOARD	(V#12600MHWF1)
Model : # 321-108RL	QUEEN / KING CANOPY RAILS	(V#12600MHWF1)
Model : # 321-POSTS	QUEEN / KING POSTS	(V#12600MHWF1)
Model : # 321-113CAN	KING CANOPY FRAME	(V#12600MHWF1)

NOTE: KEEP THIS DOCUMENT FOR REFERENCE IN CASE PARTS ARE NEEDED
DO NOT TIGHTEN SCREWS UNTIL COMPLETELY ASSEMBLED!!
UNIT SHOULD BE ASSEMBLED BY TWO OR MORE PEOPLE.


PARTS LIST OF # 321-113HK KING CANOPY HEADBOARD

No		Description	Q'TY
A		Headboard panel	1PC
B		Headboard stretcher	1PC



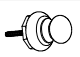
HARDWARE LIST OF # 321-113HK KING CANOPY HEADBOARD

No		Description	Q'TY	
1		Bolt	Ø5/16" x 1-3/4"	6PCS
2		Lock washer	Ø5/16" x Ø12mm x 2mm	8PCS
3		Flat washer	Ø5/16" x Ø19mm x 2mm	8PCS
4		Bolt	Ø5/16" x 1-1/2"	2PCS
5			2-1/4" x 4mm	1PC



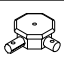
PARTS LIST OF # 321-108RL QUEEN / KING CANOPY RAILS

No		Description	Q'TY
C		Side rails	2PCS

PARTS LIST OF # 321-POSTS QUEEN / KING POSTS

No		Description	Q'TY
D		King / Queen headboard posts (left & right)	2PCS
E		King / Queen footboard posts (left & right)	2PCS
F		Caps	4PCS

PARTS LIST OF # 321-113CAN KING CANOPY FRAME





No		Description	Q'TY
G		Long metal	2PCS
H		Short metal	2PCS
I		Metal	4PCS

Assembly Instructions

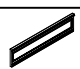


Model : # 321-113HK	KING CANOPY HEADBOARD	(V#12600MHWF1)
Model : # 321-113FK	KING CANOPY FOOTBOARD	(V#12600MHWF1)
Model : # 321-108RL	QUEEN / KING CANOPY RAILS	(V#12600MHWF1)
Model : # 321-POSTS	QUEEN / KING POSTS	(V#12600MHWF1)
Model : # 321-113CAN	KING CANOPY FRAME	(V#12600MHWF1)

NOTE: KEEP THIS DOCUMENT FOR REFERENCE IN CASE PARTS ARE NEEDED
DO NOT TIGHTEN SCREWS UNTIL COMPLETELY ASSEMBLED!!
UNIT SHOULD BE ASSEMBLED BY TWO OR MORE PEOPLE.










HARDWARE LIST # 321-113CAN KING CANOPY FRAME

No		Description	Q'TY	
6		Flat washer	Ø1/4" x Ø16mm x 2mm	8PCS
7		Lock washer	Ø1/4" x Ø12mm x 2mm	8PCS
8		Bolt	Ø1/4" x 1"	8PCS
9		Allen key	2-1/4" x 4mm	1PC

PARTS LIST OF # 321-113FK KING CANOPY FOOTBOARD

No		Description	Q'TY
J		Footboard panel	1PC
K		Slats	4PCS
L		Support legs with leveler	8PCS

HARDWARE LIST OF # 321-113FK KING CANOPY FOOTBOARD

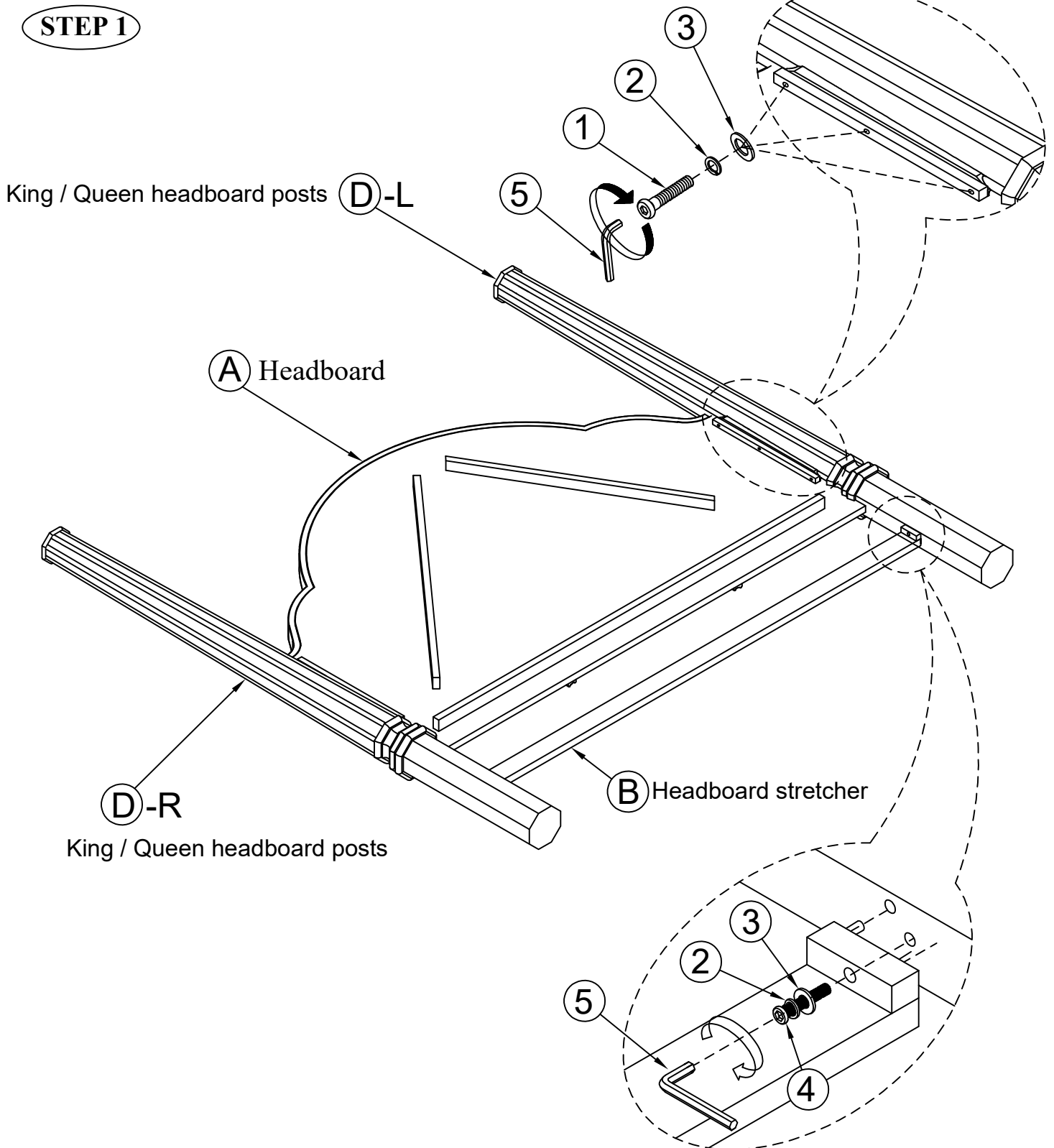
No		Description	Q'TY	
10		Bolt	Ø5/16" x 1"-3/4"	4PCS
11		Lock washer	Ø5/16" x Ø12mm x 2mm	4PCS
12		Flat washer	Ø5/16" x Ø16mm x 2mm	4PCS
13		Allen key	2-1/4" x 4mm	1PC
14		Thread bolt	Ø5/16" x 90mm L	8PCS
15		Curved washer	Ø5/16" DIA	8PCS
16		Hex nut	Ø5/16" DIA	8PCS
17		Open wrench	12mm	1PC
18		Screw	Ø8 x 30mm	8PCS

Assembly Instructions

Model : # 321-113HK	KING CANOPY HEADBOARD	(V#12600MHWF1)
Model : # 321-113FK	KING CANOPY FOOTBOARD	(V#12600MHWF1)
Model : # 321-108RL	QUEEN / KING CANOPY RAILS	(V#12600MHWF1)
Model : # 321-POSTS	QUEEN / KING POSTS	(V#12600MHWF1)
Model : # 321-113CAN	KING CANOPY FRAME	(V#12600MHWF1)

NOTE: KEEP THIS DOCUMENT FOR REFERENCE IN CASE PARTS ARE NEEDED
DO NOT TIGHTEN SCREWS UNTIL COMPLETELY ASSEMBLED!!
UNIT SHOULD BE ASSEMBLED BY TWO OR MORE PEOPLE.

STEP 1

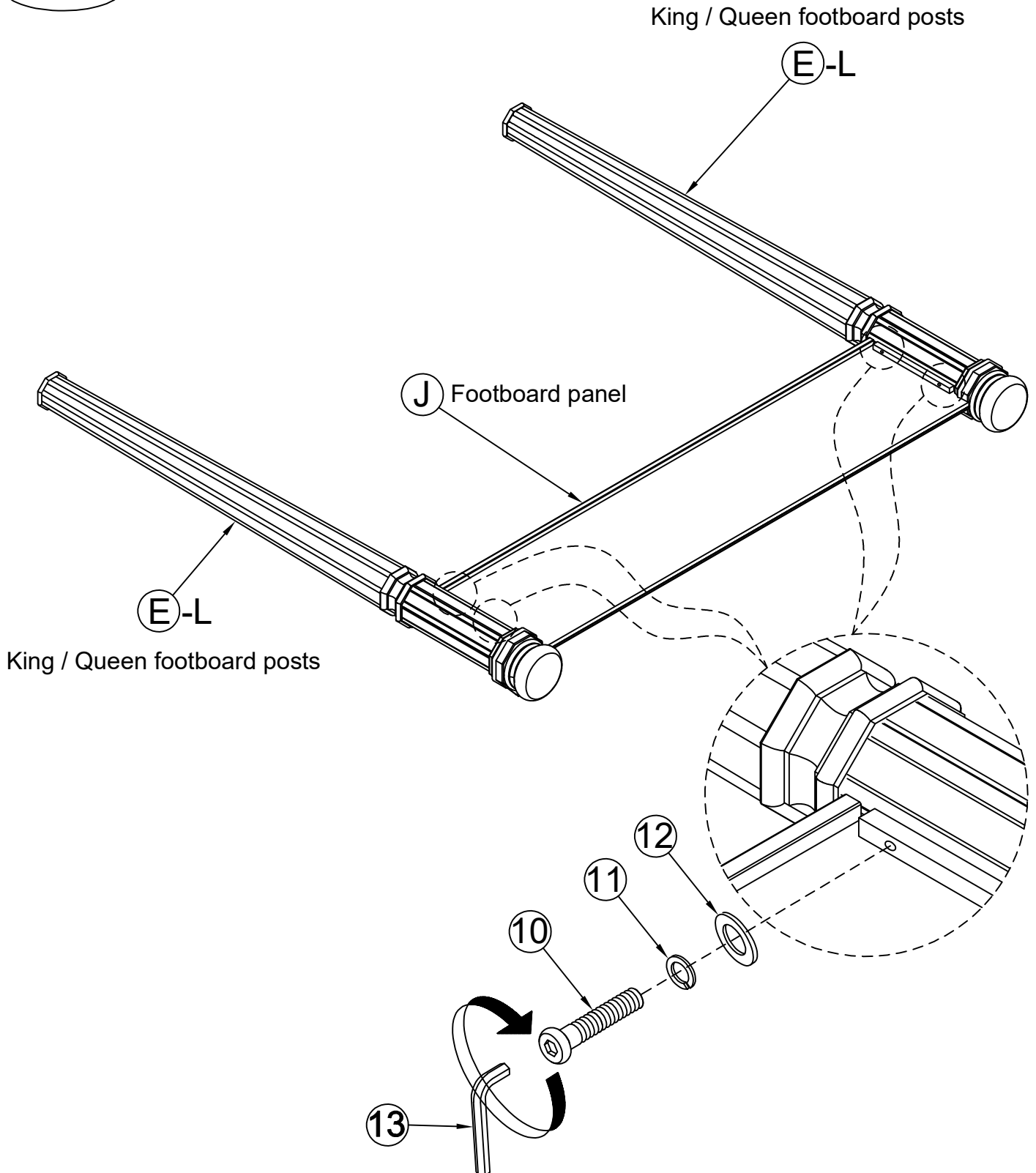


Assembly Instructions

Model : # 321-113HK	KING CANOPY HEADBOARD	(V#12600MHWF1)
Model : # 321-113FK	KING CANOPY FOOTBOARD	(V#12600MHWF1)
Model : # 321-108RL	QUEEN / KING CANOPY RAILS	(V#12600MHWF1)
Model : # 321-POSTS	QUEEN / KING POSTS	(V#12600MHWF1)
Model : # 321-113CAN	KING CANOPY FRAME	(V#12600MHWF1)

NOTE: KEEP THIS DOCUMENT FOR REFERENCE IN CASE PARTS ARE NEEDED
DO NOT TIGHTEN SCREWS UNTIL COMPLETELY ASSEMBLED!!
UNIT SHOULD BE ASSEMBLED BY TWO OR MORE PEOPLE.

STEP 2

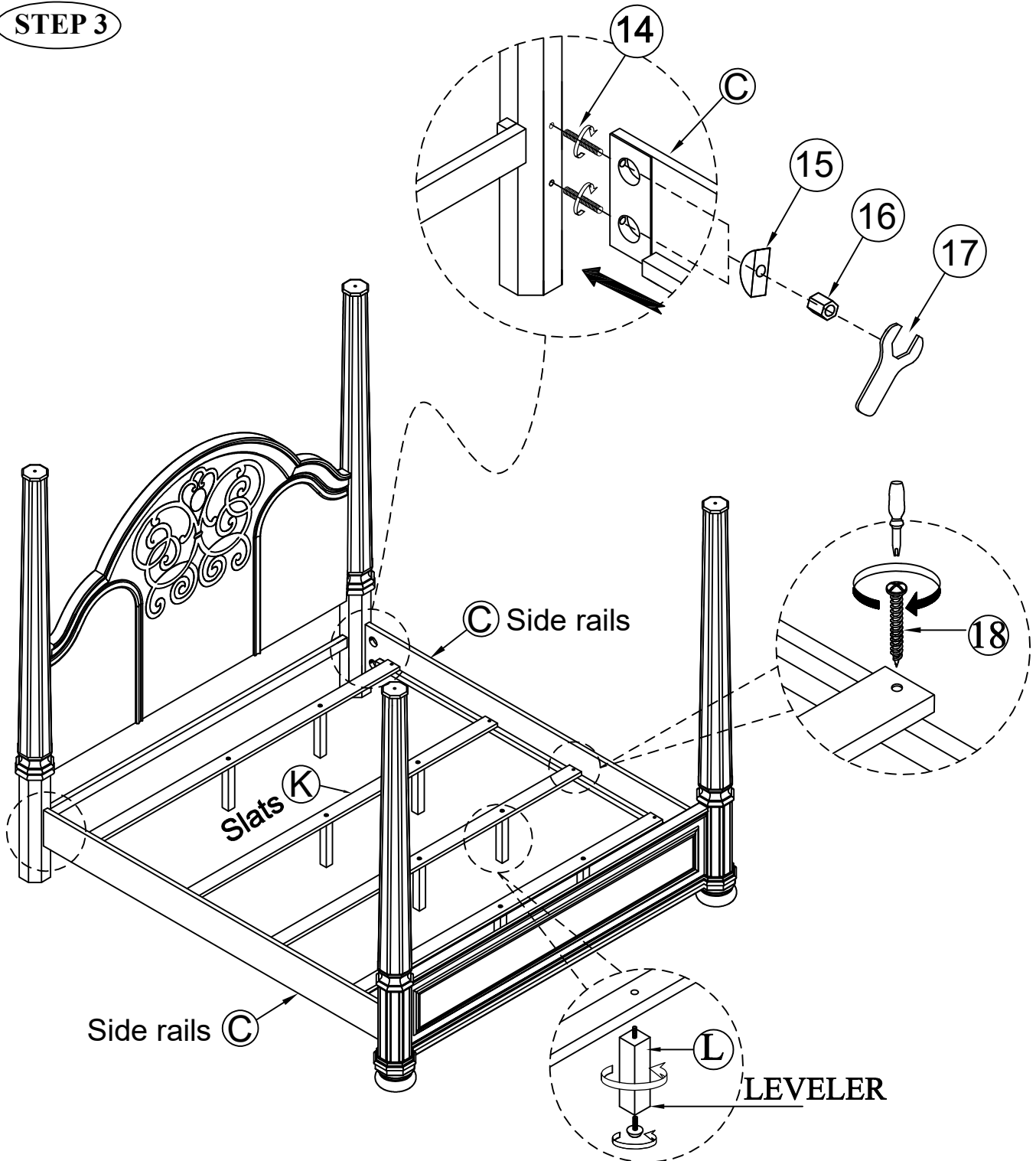


Assembly Instructions

Model : # 321-113HK	KING CANOPY HEADBOARD	(V#12600MHWF1)
Model : # 321-113FK	KING CANOPY FOOTBOARD	(V#12600MHWF1)
Model : # 321-108RL	QUEEN / KING CANOPY RAILS	(V#12600MHWF1)
Model : # 321-POSTS	QUEEN / KING POSTS	(V#12600MHWF1)
Model : # 321-113CAN	KING CANOPY FRAME	(V#12600MHWF1)

NOTE: KEEP THIS DOCUMENT FOR REFERENCE IN CASE PARTS ARE NEEDED
DO NOT TIGHTEN SCREWS UNTIL COMPLETELY ASSEMBLED!!
UNIT SHOULD BE ASSEMBLED BY TWO OR MORE PEOPLE.

STEP 3

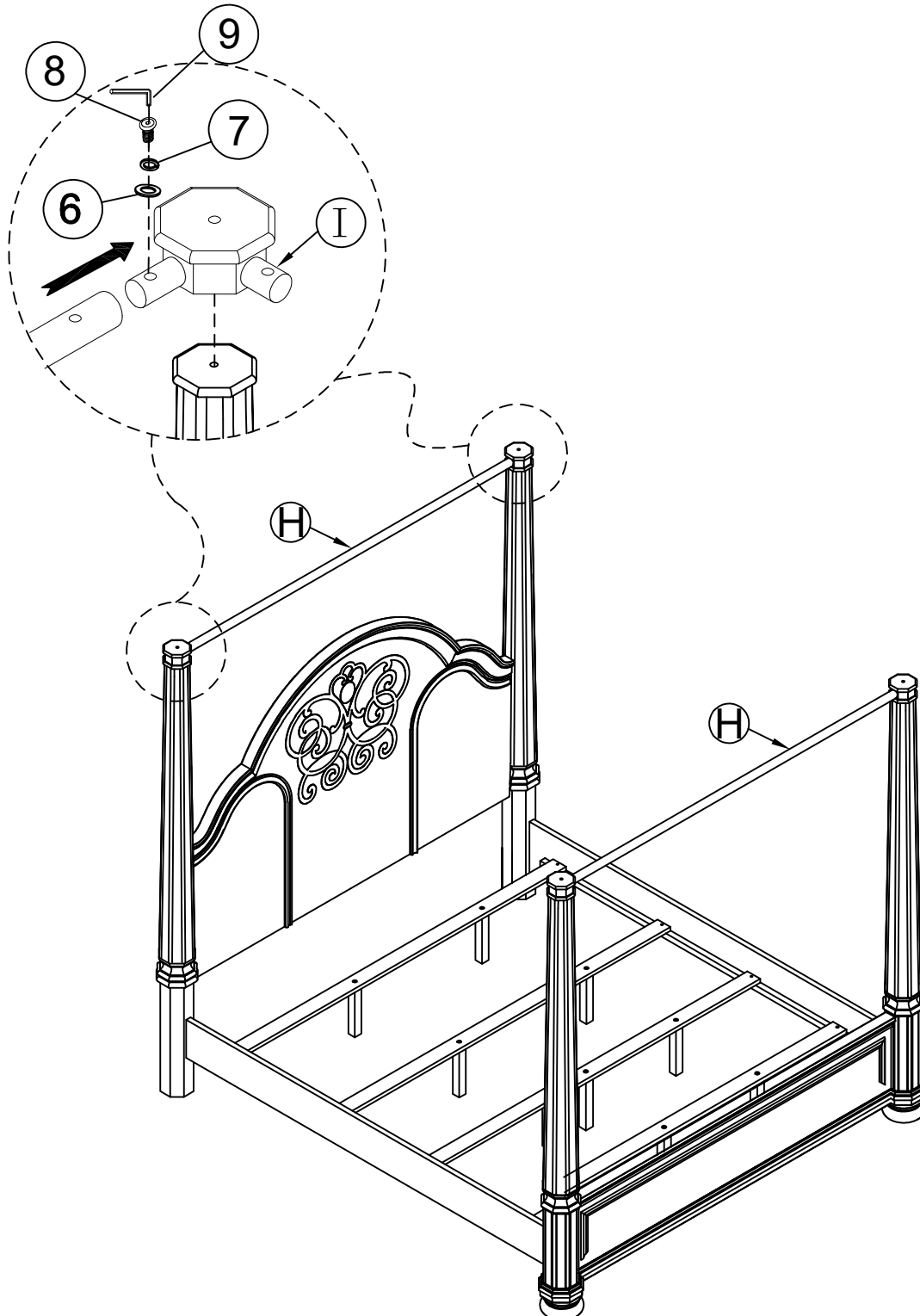


Assembly Instructions

Model : # 321-113HK	KING CANOPY HEADBOARD	(V#12600MHWF1)
Model : # 321-113FK	KING CANOPY FOOTBOARD	(V#12600MHWF1)
Model : # 321-108RL	QUEEN / KING CANOPY RAILS	(V#12600MHWF1)
Model : # 321-POSTS	QUEEN / KING POSTS	(V#12600MHWF1)
Model : # 321-113CAN	KING CANOPY FRAME	(V#12600MHWF1)

NOTE: KEEP THIS DOCUMENT FOR REFERENCE IN CASE PARTS ARE NEEDED
DO NOT TIGHTEN SCREWS UNTIL COMPLETELY ASSEMBLED!!
UNIT SHOULD BE ASSEMBLED BY TWO OR MORE PEOPLE.

STEP 4

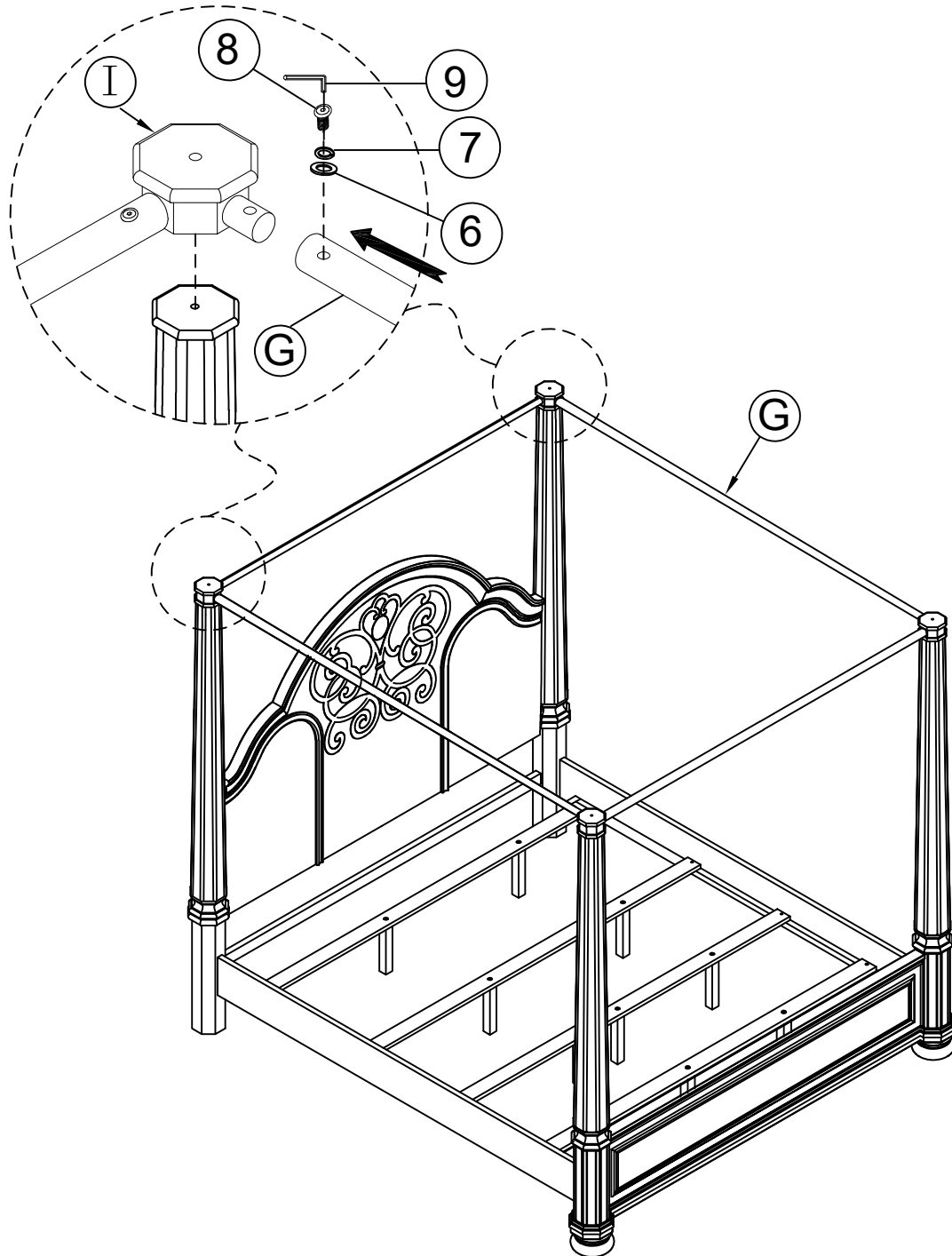


Assembly Instructions

Model : # 321-113HK	KING CANOPY HEADBOARD	(V#12600MHWF1)
Model : # 321-113FK	KING CANOPY FOOTBOARD	(V#12600MHWF1)
Model : # 321-108RL	QUEEN / KING CANOPY RAILS	(V#12600MHWF1)
Model : # 321-POSTS	QUEEN / KING POSTS	(V#12600MHWF1)
Model : # 321-113CAN	KING CANOPY FRAME	(V#12600MHWF1)

NOTE: KEEP THIS DOCUMENT FOR REFERENCE IN CASE PARTS ARE NEEDED
DO NOT TIGHTEN SCREWS UNTIL COMPLETELY ASSEMBLED!!
UNIT SHOULD BE ASSEMBLED BY TWO OR MORE PEOPLE.

STEP 5

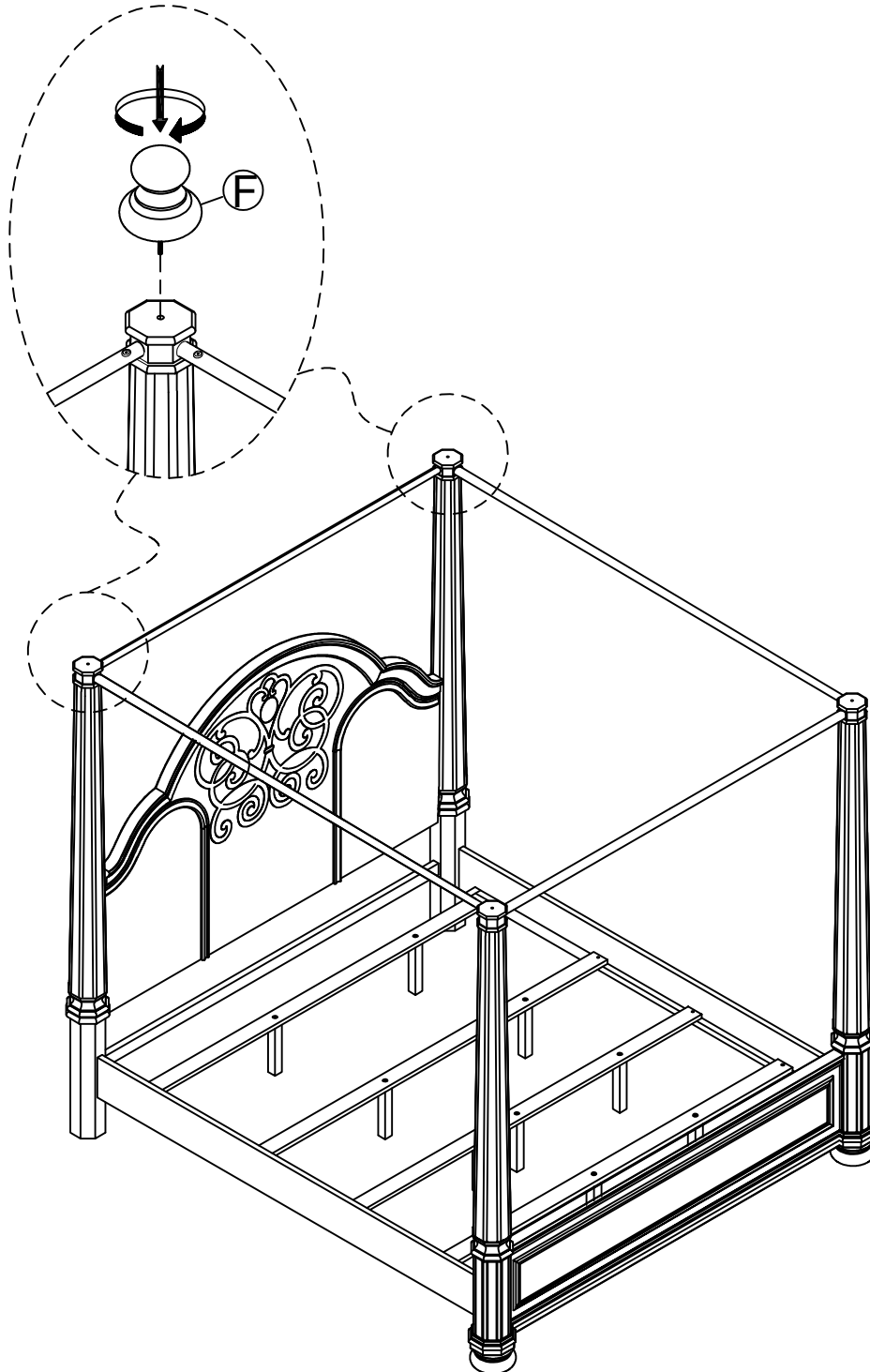


Assembly Instructions

Model : # 321-113HK	KING CANOPY HEADBOARD	(V#12600MHWF1)
Model : # 321-113FK	KING CANOPY FOOTBOARD	(V#12600MHWF1)
Model : # 321-108RL	QUEEN / KING CANOPY RAILS	(V#12600MHWF1)
Model : # 321-POSTS	QUEEN / KING POSTS	(V#12600MHWF1)
Model : # 321-113CAN	KING CANOPY FRAME	(V#12600MHWF1)

NOTE: KEEP THIS DOCUMENT FOR REFERENCE IN CASE PARTS ARE NEEDED
DO NOT TIGHTEN SCREWS UNTIL COMPLETELY ASSEMBLED!!
UNIT SHOULD BE ASSEMBLED BY TWO OR MORE PEOPLE.

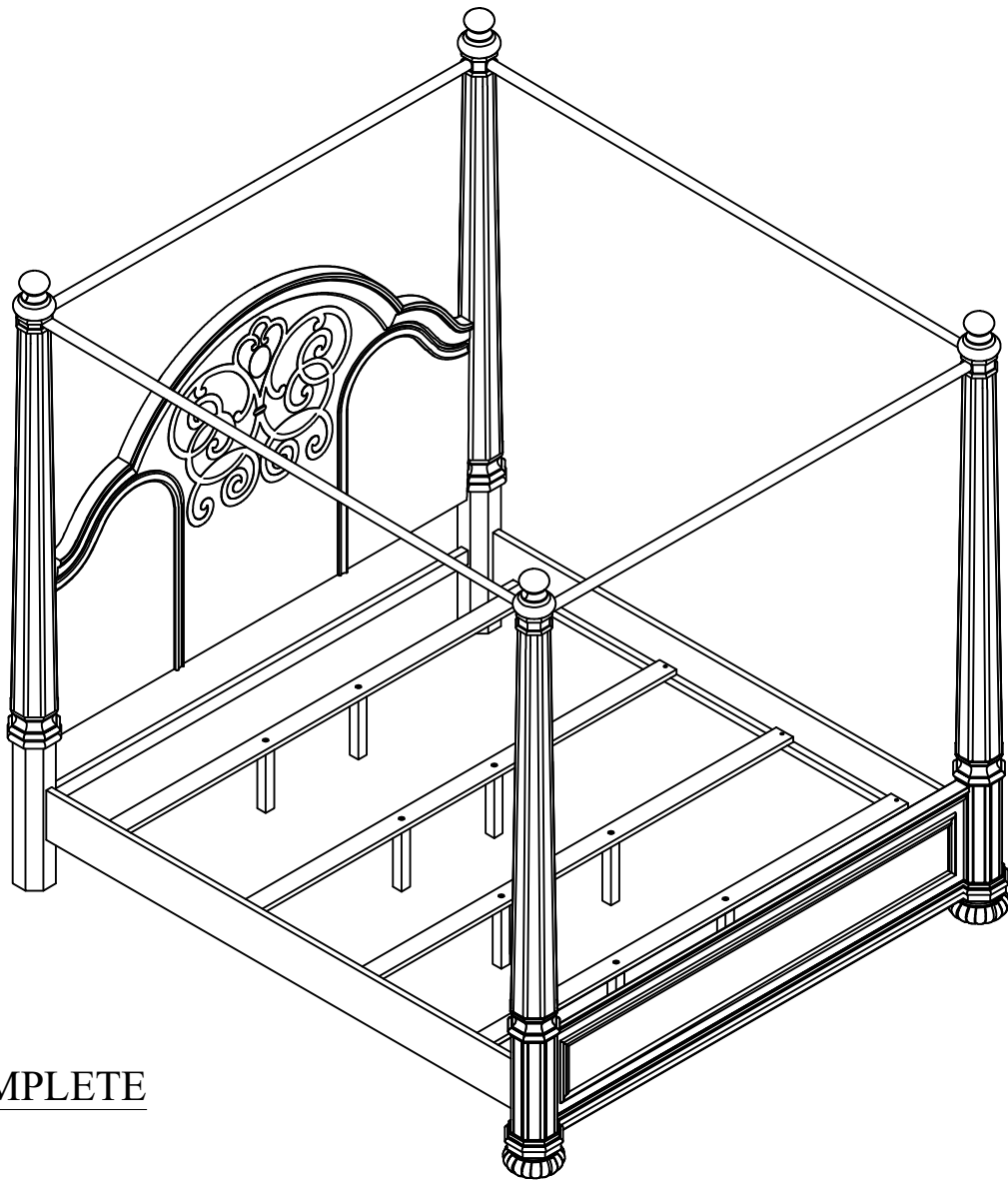
STEP 6



Assembly Instructions

Model : # 321-113HK	KING CANOPY HEADBOARD	(V#12600MHWF1)
Model : # 321-113FK	KING CANOPY FOOTBOARD	(V#12600MHWF1)
Model : # 321-108RL	QUEEN / KING CANOPY RAILS	(V#12600MHWF1)
Model : # 321-POSTS	QUEEN / KING POSTS	(V#12600MHWF1)
Model : # 321-113CAN	KING CANOPY FRAME	(V#12600MHWF1)

NOTE: KEEP THIS DOCUMENT FOR REFERENCE IN CASE PARTS ARE NEEDED
DO NOT TIGHTEN SCREWS UNTIL COMPLETELY ASSEMBLED!!
UNIT SHOULD BE ASSEMBLED BY TWO OR MORE PEOPLE.



COMPLETE