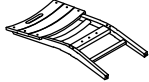
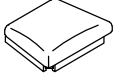
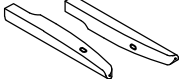




ASSEMBLY INSTRUCTIONS

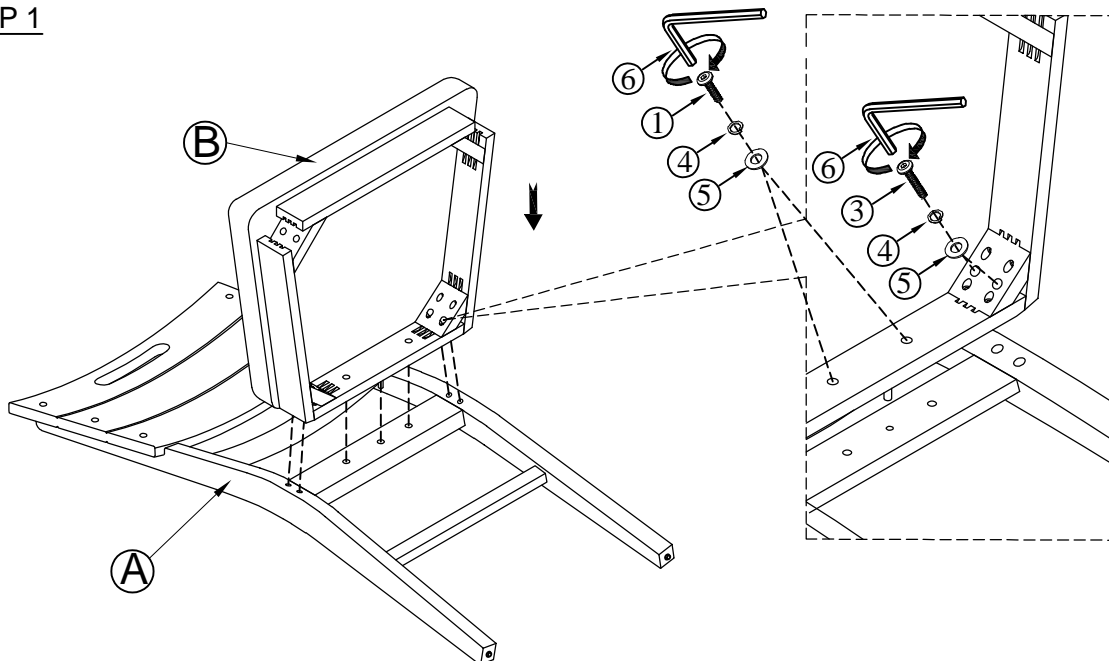
MODEL # : 315-540 DANVILLE UPH.SEAT COUNTER CHAIR (V#12600TNWC1)

**NOTE: THIS ITEM NOT RECOMMENDED FOR COMMERCIAL USE
KEEP THIS DOCUMENT FOR REFERENCE IN CASE PARTS ARE NEEDED
DO NOT TIGHTEN SCREWS UNTIL COMPLETELY ASSEMBLED!!**

No	PARTS LIST		Q'TY
A		CHAIR BACK	1PC
B		SEAT FRAME W/CUSHION	1PC
C		FRONT LEGS (L & R)	2PCS
D		SIDE STRETCHER (L & R)	2PCS
E		FRONT STRETCHER	1PC

NO.	HARDWARE LIST			Q'TY
1		ALLEN BOLT	Ø5/16" x 1-1/2"	2PCS
2		ALLEN BOLT	Ø5/16" x 2-3/8"	4PCS
3		ALLEN BOLT	Ø5/16" x 3"	4PCS
4		LOCK WASHER	Ø5/16" x 12D x 2mm	10PCS
5		FLAT WASHER	Ø5/16" x 19Dmm	10PCS
6		ALLEN KEY	4mm	1PC
7		SCREWS	5/32" x 2"	6PCS

STEP 1

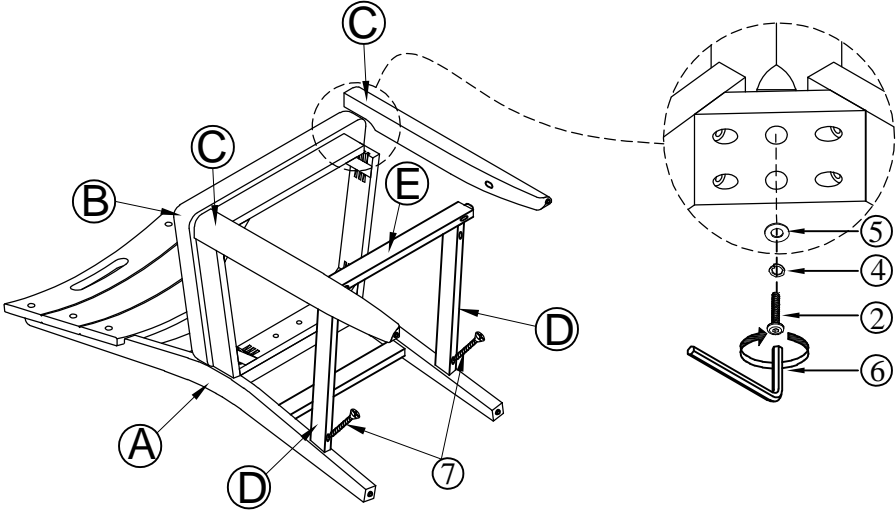


ASSEMBLY INSTRUCTIONS

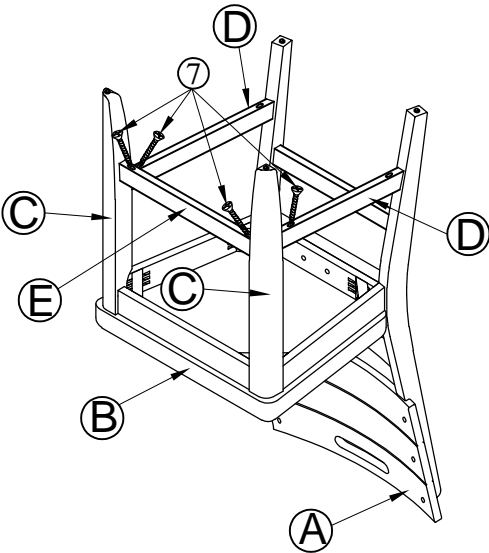
MODEL # : 315-540 DANVILLE UPH.SEAT COUNTER CHAIR (V#12600TNWC1)

NOTE: THIS ITEM NOT RECOMMENDED FOR COMMERCIAL USE
KEEP THIS DOCUMENT FOR REFERENCE IN CASE PARTS ARE NEEDED
DO NOT TIGHTEN SCREWS UNTIL COMPLETELY ASSEMBLED!!

STEP 2



STEP 3



COMPLETED

