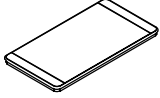
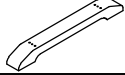
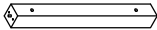
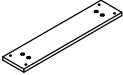
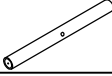
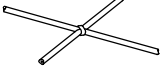










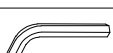
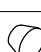


ASSEMBLY INSTRUCTIONS

MODEL # : 315-530 DANVILLE 72" RECT. COUNTER DINING (V#12600TNWC1)

NOTE: THIS ITEM NOT RECOMMENDED FOR COMMERCIAL USE
KEEP THIS DOCUMENT FOR REFERENCE IN CASE PARTS ARE NEEDED
DO NOT TIGHTEN SCREWS UNTIL COMPLETELY ASSEMBLED!!

No	PARTS LIST		Q'TY
A		TABLE TOP	1PC
B		BASE	2PCS
C		PEDESTAL	4PCS
D		MOUNTING PLATE	2PCS
E		METAL STRETCHER	4PCS
F		X METAL STRETCHER	1PC

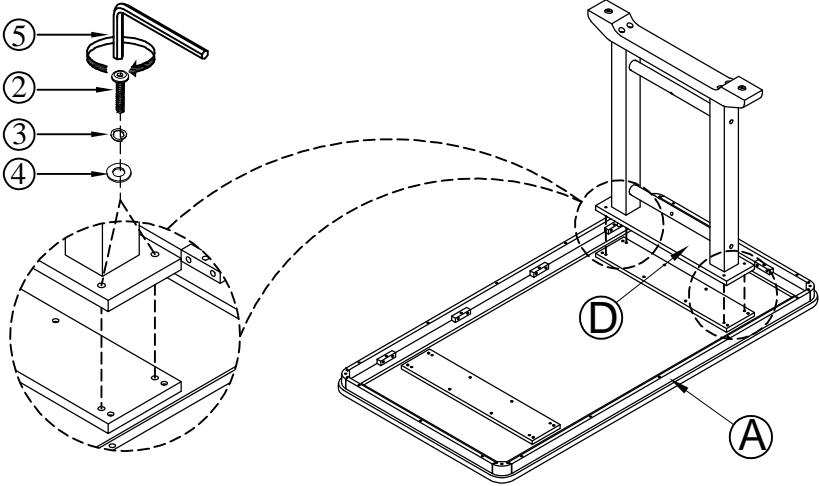
NO.	HARDWARE LIST FOR TABLE TOP			Q'TY
1		ALLEN BOLT	Ø1/4" x 2-3/8"	4PCS
2		ALLEN BOLT	Ø5/16" x 1-3/8"	8PCS
3		LOCK WASHER	Ø5/16" x 12D x 2mm	12PCS
4		FLAT WASHER	Ø5/16" x 19Dmm	12PCS
5		ALLEN KEY	4mm	1PC
NO.	HARDWARE LIST FOR TABLE BASE			Q'TY
6		ALLEN BOLT	Ø1/4" x 2-3/4"	8PCS
7		ALLEN BOLT	Ø5/16" x 1-3/8"	8PCS
8		ALLEN BOLT	Ø5/16" x 2-1/2"	8PCS
9		LOCK WASHER	Ø5/16" x 12D x 2mm	16PCS
10		FLAT WASHER	Ø5/16" x 19Dmm	16PCS
11		ALLEN KEY	4mm	1PC
12		WOODEN PLUGS	N/A	8PCS

ASSEMBLY INSTRUCTIONS

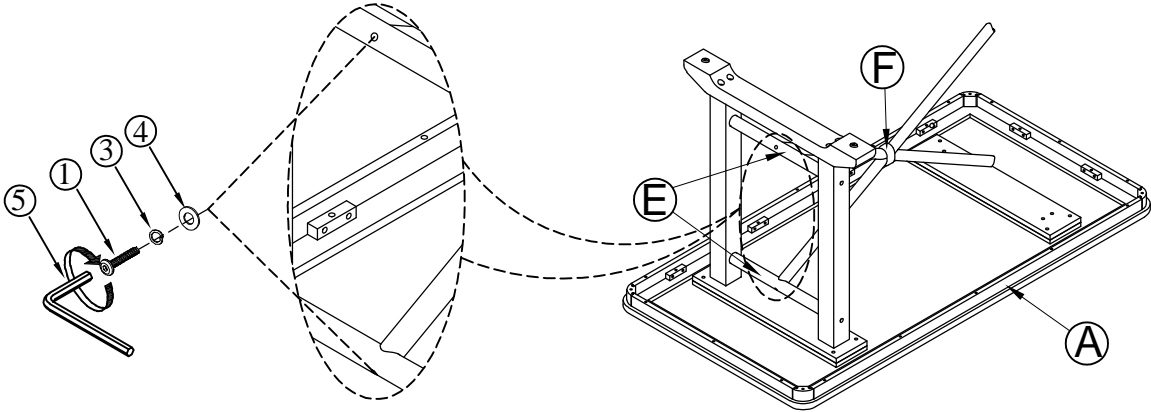
MODEL # : 315-530 DANVILLE 72" RECT. COUNTER DINING (V#12600TNWC1)

**NOTE: THIS ITEM NOT RECOMMENDED FOR COMMERCIAL USE
KEEP THIS DOCUMENT FOR REFERENCE IN CASE PARTS ARE NEEDED
DO NOT TIGHTEN SCREWS UNTIL COMPLETELY ASSEMBLED!!**

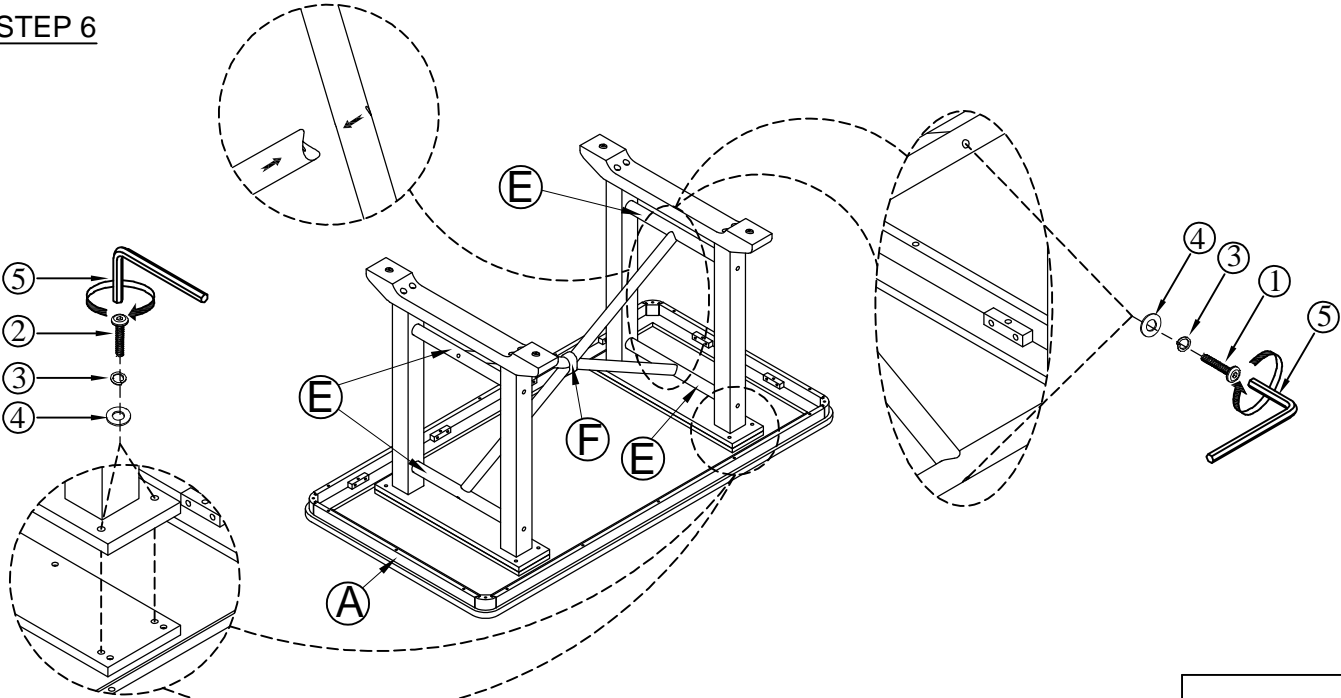
STEP 4



STEP 5



STEP 6

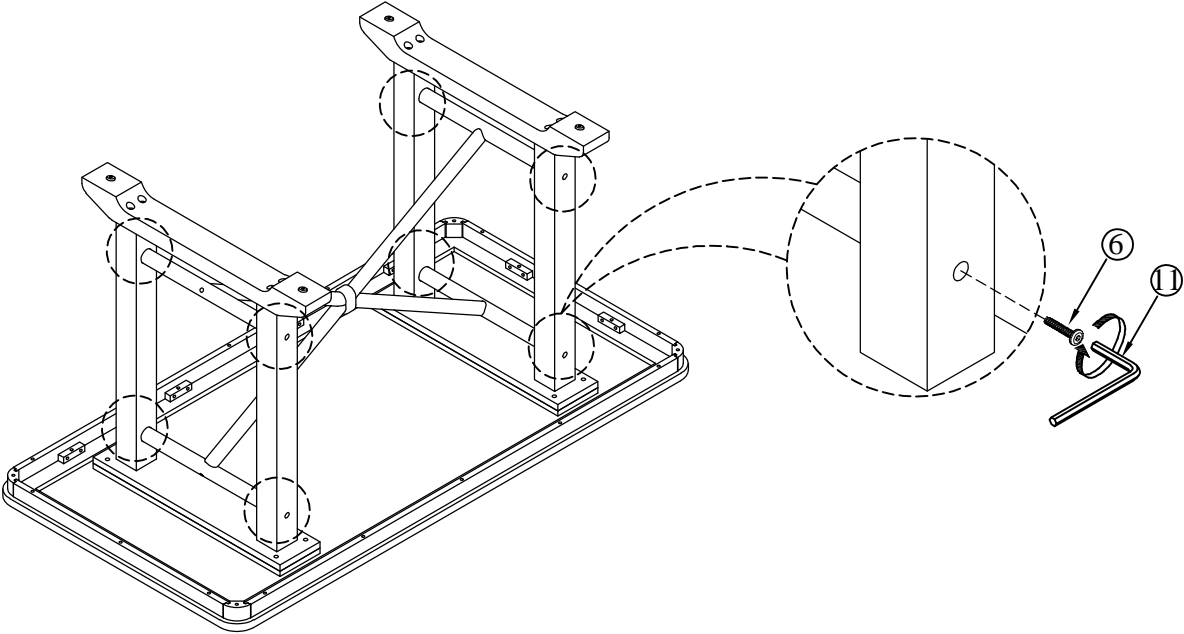


ASSEMBLY INSTRUCTIONS

MODEL # : 315-530 DANVILLE 72" RECT. COUNTER DINING (V#12600TNWC1)

**NOTE: THIS ITEM NOT RECOMMENDED FOR COMMERCIAL USE
KEEP THIS DOCUMENT FOR REFERENCE IN CASE PARTS ARE NEEDED
DO NOT TIGHTEN SCREWS UNTIL COMPLETELY ASSEMBLED!!**

STEP 7



COMPLETED

