
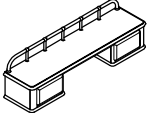
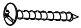


ASSEMBLY INSTRUCTIONS

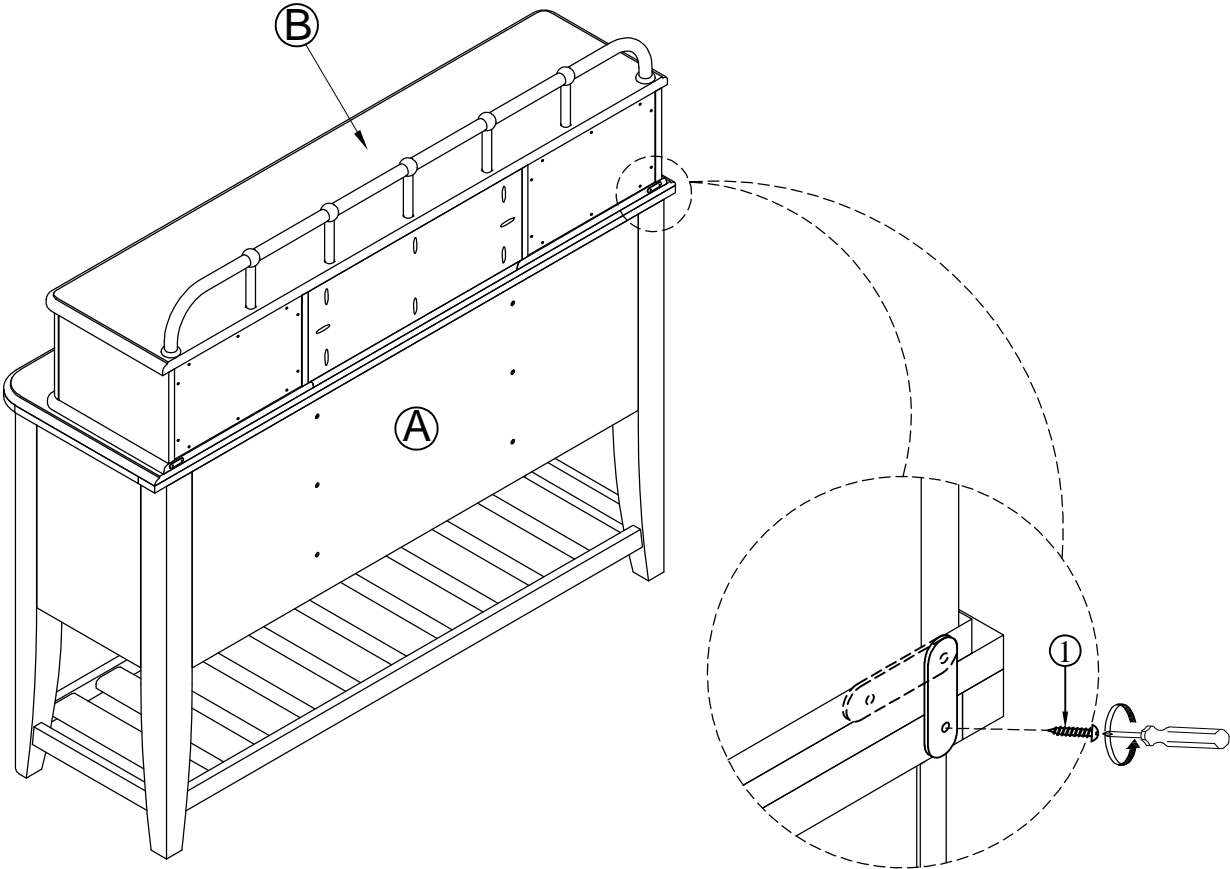
MODEL # : 315-525 ACCENT HUTCH (V#12600TNWC1)
315-524 DANVILLE 2 DOOR/2 DRAWER BUFFET (V#12600TNWC1)

NOTE: THIS ITEM NOT RECOMMENDED FOR COMMERCIAL USE
KEEP THIS DOCUMENT FOR REFERENCE IN CASE PARTS ARE NEEDED
DO NOT TIGHTEN SCREWS UNTIL COMPLETELY ASSEMBLED!!

No	PARTS LIST		Q'TY
A		BUFFET	1PC
B		ACCENT HUTCH	1PC

NO.	HARDWARE LIST		Q'TY
1		SCREW	#3.5 x 15mm
			2PCS

STEP 1



ASSEMBLY INSTRUCTIONS

MODEL # : 315-525 ACCENT HUTCH (V#12600TNWC1)
315-524 DANVILLE 2 DOOR/2 DRAWER BUFFET (V#12600TNWC1)

NOTE: THIS ITEM NOT RECOMMENDED FOR COMMERCIAL USE
KEEP THIS DOCUMENT FOR REFERENCE IN CASE PARTS ARE NEEDED
DO NOT TIGHTEN SCREWS UNTIL COMPLETELY ASSEMBLED!!

STEP 2

★ Remark: there is a tip restraint kit provided on the back of this product. Please read the directions thoroughly and install immediately when placed in home.

