


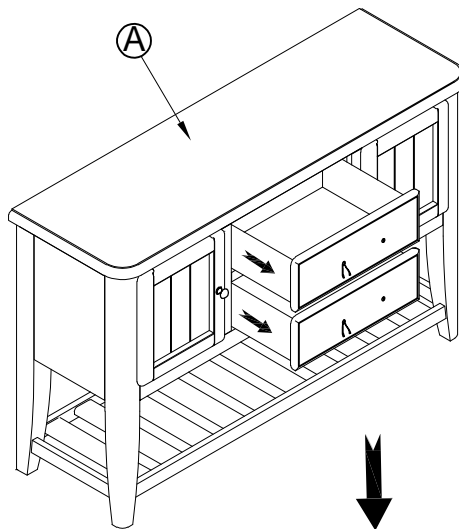
ASSEMBLY INSTRUCTIONS

MODEL # : 315-524 DANVILLE 2 DOOR/2 DRAWER BUFFET (V#12600TNWC1)

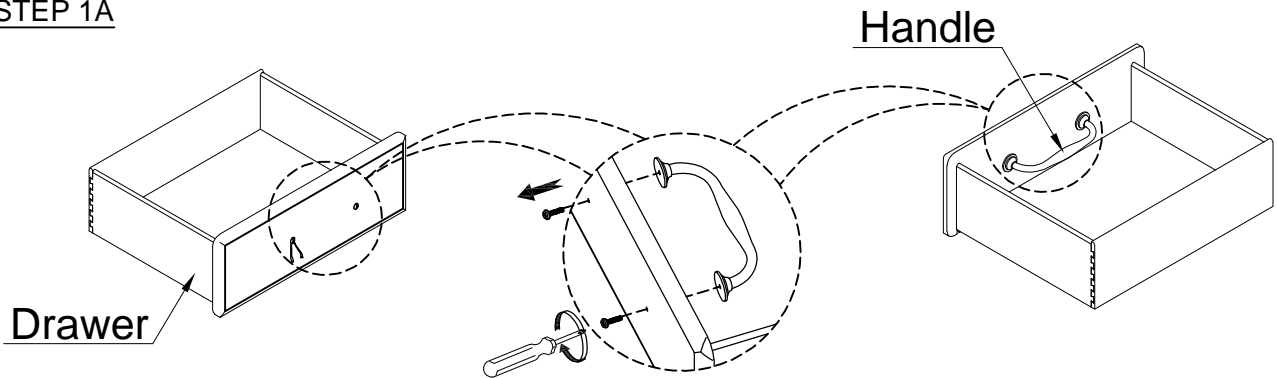
NOTE: THIS ITEM NOT RECOMMENDED FOR COMMERCIAL USE
KEEP THIS DOCUMENT FOR REFERENCE IN CASE PARTS ARE NEEDED
DO NOT TIGHTEN SCREWS UNTIL COMPLETELY ASSEMBLED!!

No	PARTS LIST		Q'TY
A		BUFFET	1PC

STEP 1

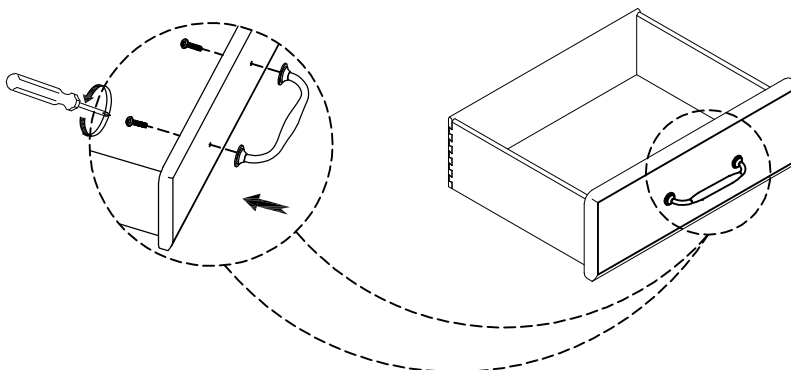


STEP 1A



*REMOVE THE HANDLE FROM THE DRAWER.

STEP 1B



*ASSEMBLY THE HANDLE TO THE FRONT OF THE DRAWER.

ASSEMBLY INSTRUCTIONS

MODEL # : 315-524 DANVILLE 2 DOOR/2 DRAWER BUFFET (V#12600TNWC1)

NOTE: THIS ITEM NOT RECOMMENDED FOR COMMERCIAL USE
KEEP THIS DOCUMENT FOR REFERENCE IN CASE PARTS ARE NEEDED
DO NOT TIGHTEN SCREWS UNTIL COMPLETELY ASSEMBLED!!

STEP 2

★ Remark: there is a tip restraint kit provided on the back of this product. Please read the directions thoroughly and install Immediately when placed in home.

