

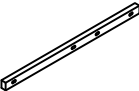


# ASSEMBLY INSTRUCTIONS

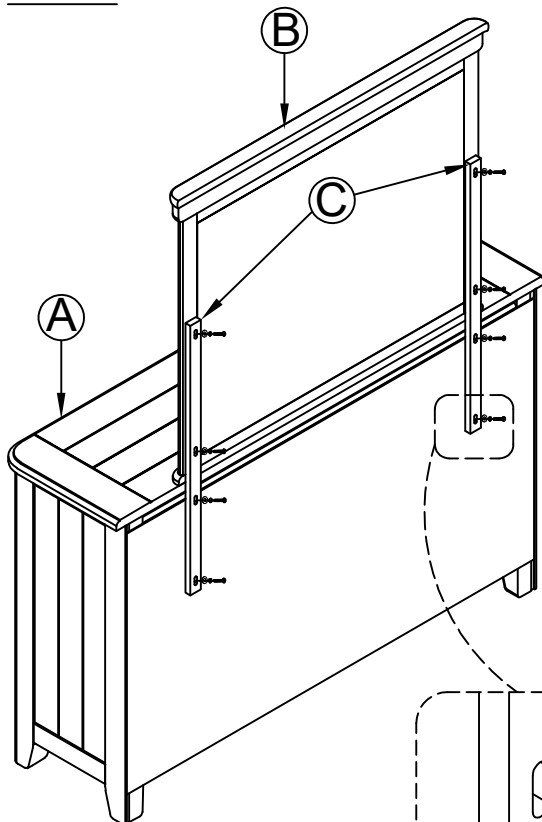
**MODEL # :315 - 140 DANVILLE LANDSCAPE MIRROR (V#12600VTC1)**

**NOTE: THIS ITEM NOT RECOMMENDED FOR COMMERCIAL USE  
KEEP THIS DOCUMENT FOR REFERENCE IN CASE PARTS ARE NEEDED  
DO NOT TIGHTEN SCREWS UNTIL COMPLETELY ASSEMBLED! !**

No	PARTS LIST		Q'TY
A		DRESSER	1PC
B		MIRROR	1PC
C		MIRROR SUPPORT IN MIRROR BOX	2PCS

NO.	HARDWARE LIST		Q'TY
1		ALLEN BOLT Ø1/4"x1-1/2"	8PCS
2		LOCK WASHER Ø1/4" x 10D x 1.1mm	8PCS
3		FLAT WASHER Ø1/4" x 18D x 2mm	8PCS
4		ALLEN KEY 4mm	1PC

**STEP 1**



**STEP 2**

