
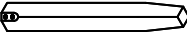


ASSEMBLY INSTRUCTIONS

41-500 5-PC BRISTOL DINING TABLE SET (V#120)

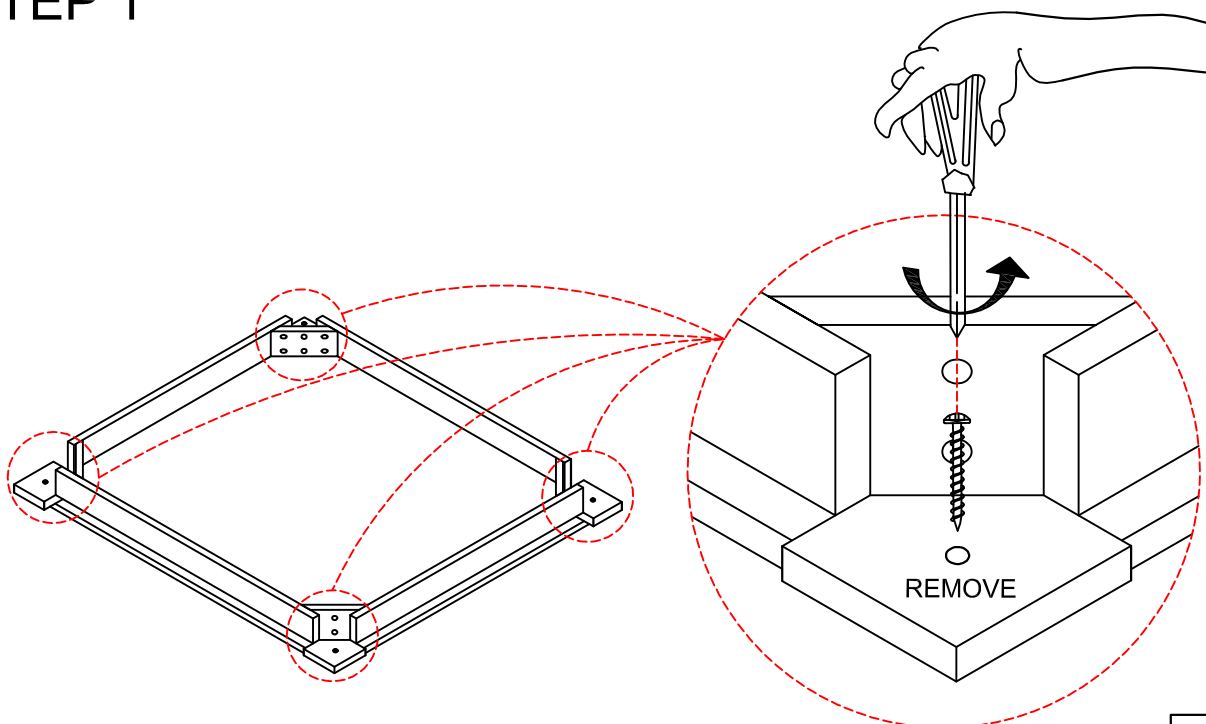
NOTE: THIS ITEM NOT RECOMMENDED FOR COMMERCIAL USE KEEP THIS DOCUMENT FOR REFERENCE IN CASE PARTS ARE NEEDED DO NOT TIGHTEN SCREWS UNTIL COMPLETELY ASSEMBLED!!

NO	PARTS LIST		Q'TY
A		TABLE TOP	1PC
B		TABLE LEG	4PCS

NO	HARDWARE LIST			Q'TY
1		BOLT	Ø5/16"x2-3/8"	8PCS
2		LOCK WASHER	Ø5/16"x10Dx1mm	8PCS
3		FLAT WASHER	Ø5/16"x22Dx2mm	8PCS
4		ALLEN WRENCH	2-1/4"x4mm	1PC

Do not tighten screws until completely assembled.

STEP 1

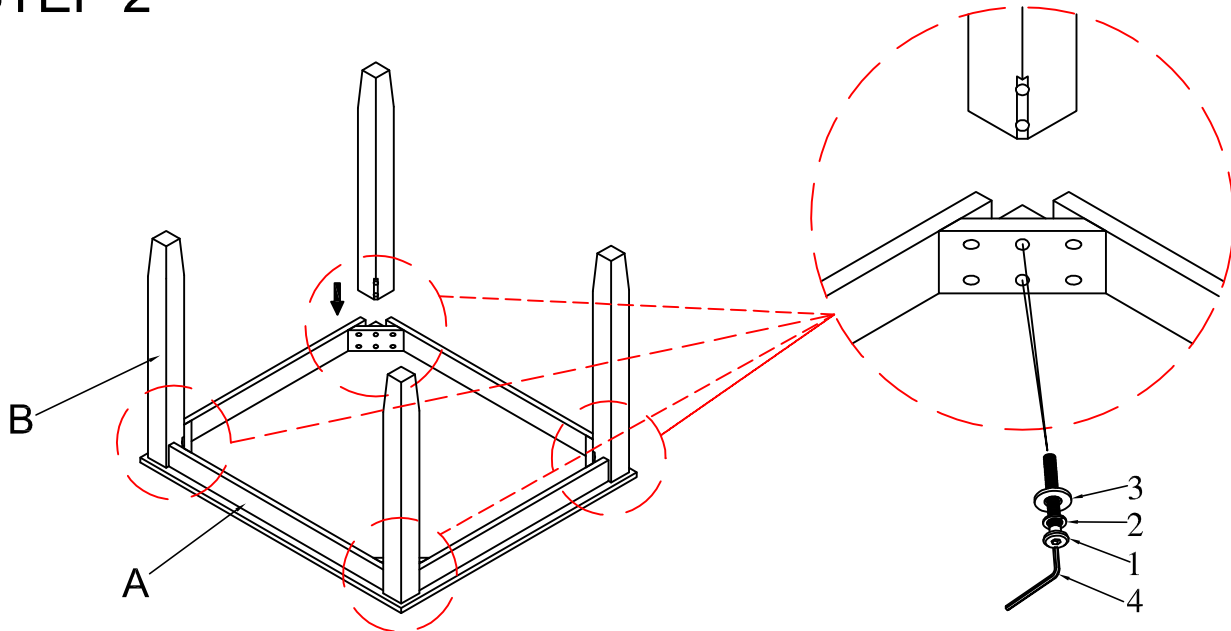


ASSEMBLY INSTRUCTIONS

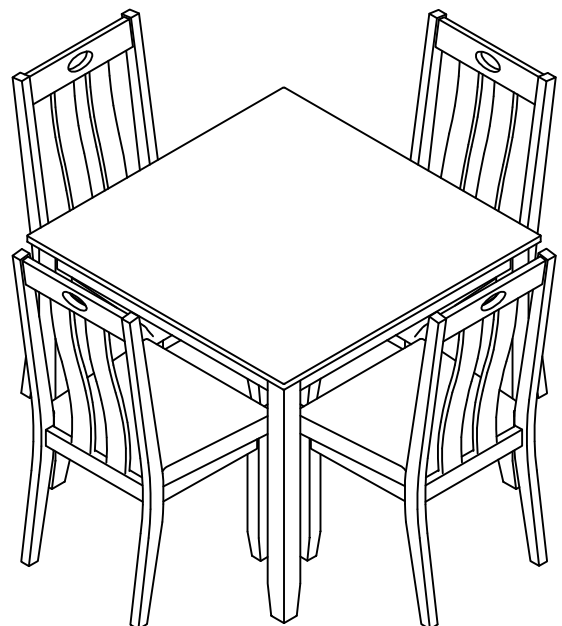
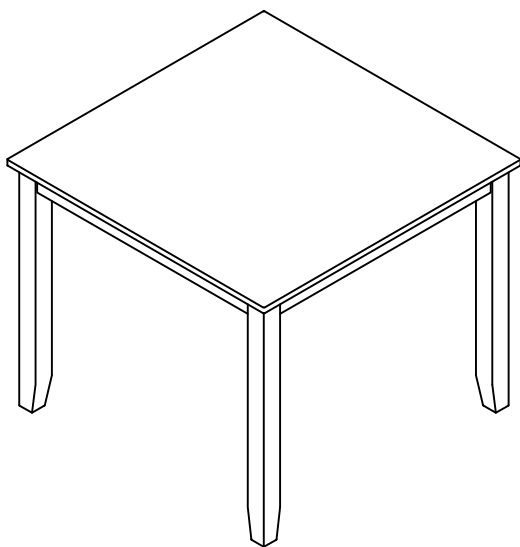
401-500 5-PC BRISTOL DINING TABLE SET (V#1260)

NOTE: THIS ITEM NOT RECOMMENDED FOR COMMERCIAL USE KEEP THIS DOCUMENT FOR REFERENCE IN CASE PARTS ARE NEEDED DO NOT TIGHTEN SCREWS UNTIL COMPLETELY ASSEMBLED!!

STEP 2



STEP 3

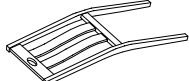
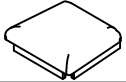



Make sure all parts are firmly secured

ASSEMBLY INSTRUCTIONS

441E-500 5-PC BRISTOL DINING TABLE SET (V#1260)

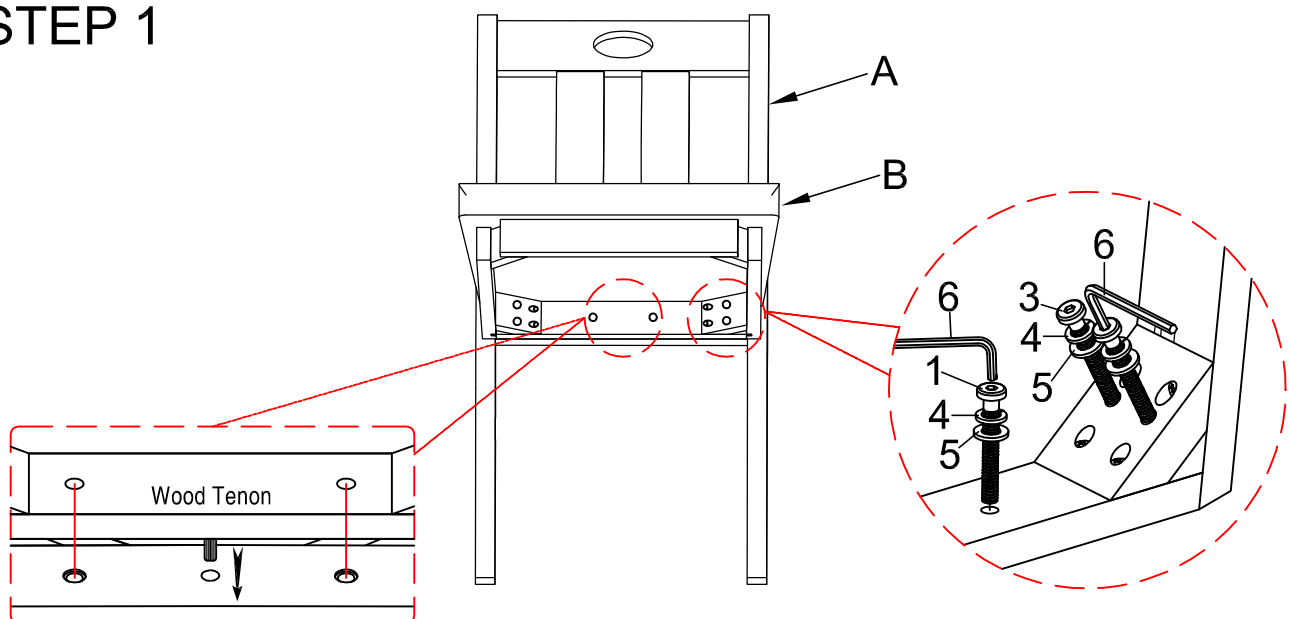
NOTE: THIS ITEM NOT RECOMMENDED FOR COMMERCIAL USE
 KEEP THIS DOCUMENT FOR REFERENCE IN CASE PARTS ARE NEEDED
 DO NOT TIGHTEN SCREWS UNTIL COMPLETELY ASSEMBLED!!

NO	PARTS LIST		Q'TY
A		CHAIR BACK	1PCX4
B		CUSHION SEAT	1PCX4
C		CHAIR LEG	2PCSX4

NO	HARDWARE LIST			Q'TY
1		SHORT BOLT	Ø1/4"x1-1/2"	2PCSX4
2		MEDIUM BOLT	Ø1/4"x2-3/8"	4PCSX4
3		LONG BOLT	Ø1/4"x3"	4PCSX4
4		LOCK WASHER	Ø1/4"x10Dx1mm	10PCSX4
5		FLAT WASHER	Ø1/4"x22Dx2mm	10PCSX4
6		ALLEN WRENCH	2-1/4"x4mm	1PCX4

Do not tighten screws until completely assembled.

STEP 1

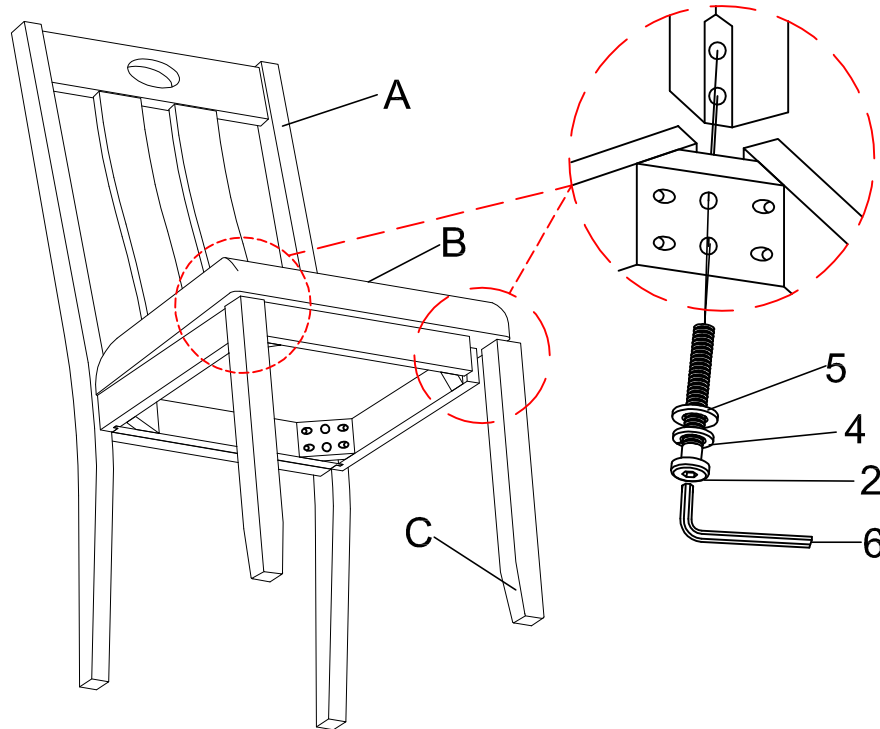


ASSEMBLY INSTRUCTIONS

601-500 5-PC BRISTOL DINING TABLE SET (V#1760)

NOTE: THIS ITEM NOT RECOMMENDED FOR COMMERCIAL USE
KEEP THIS DOCUMENT FOR REFERENCE IN CASE PARTS ARE NEEDED
DO NOT TIGHTEN SCREWS UNTIL COMPLETELY ASSEMBLED!!

STEP 2



Make sure all parts are firmly secured

STEP 3

