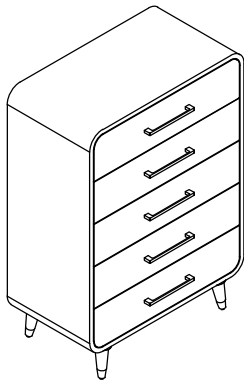


ASSEMBLY INSTRUCTION

ITEM # : 2868-150 CHEST

**NOTE : THIS ITEM NOT RECOMMENDED FOR COMMERCIAL USE
KEEP THIS DOCUMENT FOR REFERENCE IN CASE PARTS ARE NEEDED**

DO NOT TIGHTEN SCREWS UNTIL COMPLETELY ASSEMBLED !!

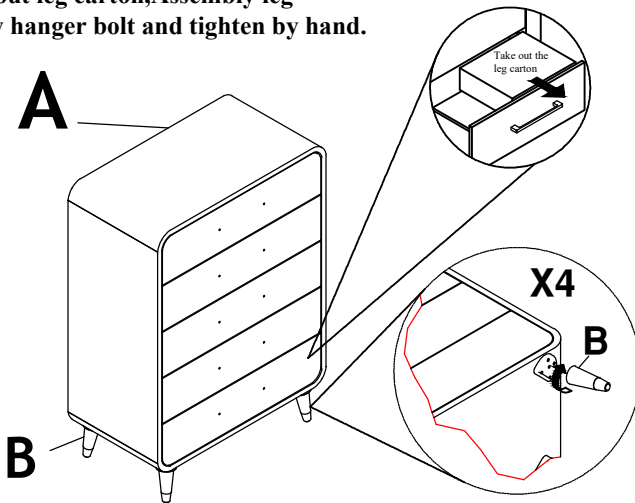


PARTS LIST			
NO.	SKETCH	DESCRIPTION	QTY
A		CHEST	1 PC
B		LEG	4 PCS

HARDWARE LIST			
NO.	SKETCH	DESCRIPTION	QTY
1		METAL TIPPING KIT	1 PC
TOOLS REQUIRED (NOT PROVIDED)			
PHILIP SCREW DRIVER			1 PC

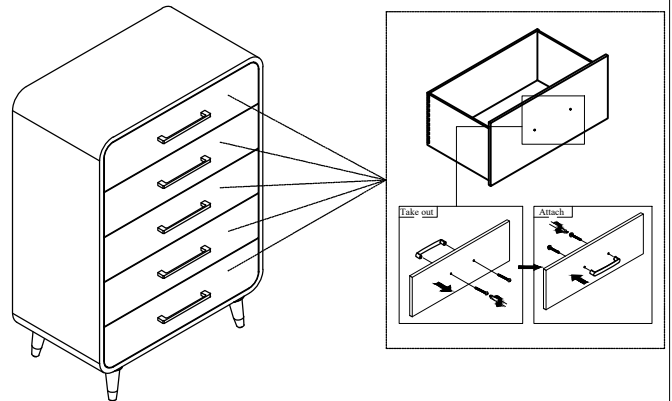
STEP 1

Take out leg carton, Assembly leg (B) by hanger bolt and tighten by hand.



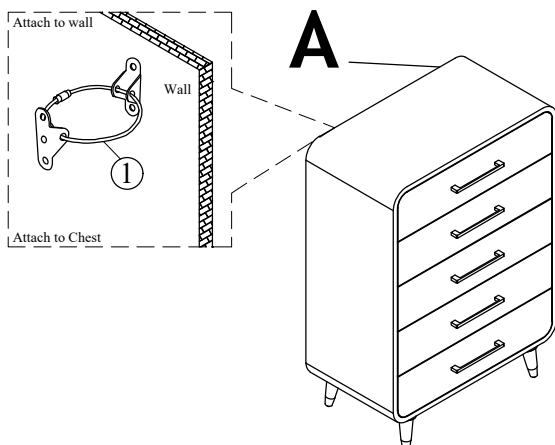
STEP 2

Assembly the handle from inside drawer to front drawer head.



STEP 3

Move the Chest (A) into final position and use metal tipping kit (1) attach to wall



Completed Assembly

