








ASSEMBLY INSTRUCTIONS

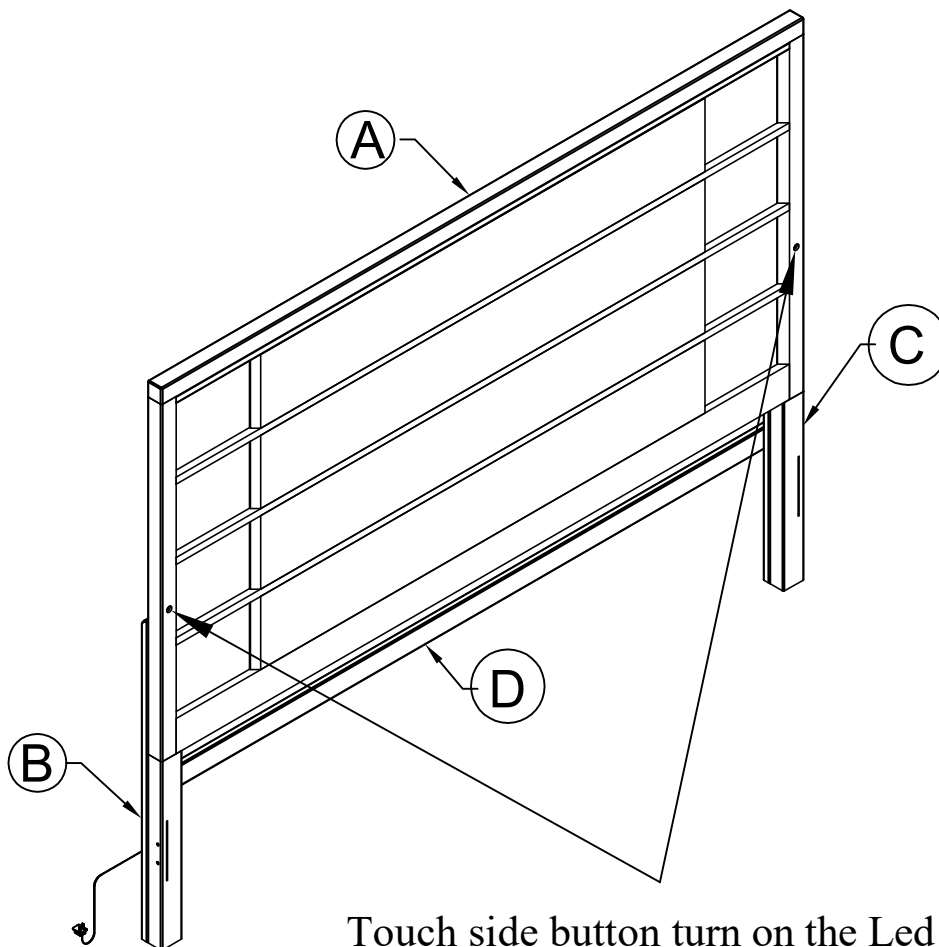
ITEM # : 211-110HK KING HEADBOARD

DO NOT TIGHTEN SCREWS UNTIL COMPLETELY ASSEMBLED !!

PARTS LIST			
NO	SKETCH	DESCRIPTION	QTY
A		HEADBOARD	1 PCS
B		HEADBOARD LEG L	1 PCS
C		HEADBOARD LEG R	1 PCS
D		BOTTOM RAIL	1 PCS

HARDWARE LIST				
NO	OUTLOOK	DESCRIPTION	SIZE	QTY
1		JCBC	M6 x P1.0 x 35MM	8 PCS
		SPRING WASHER	M6 x 11MM	8 PCS
		FLAT WASHER	M6 x 18MM	8 PCS
2		ALLEN KEY	M4 x 55MM	1 PCS
3		ADAPTER	-----	1 PCS

COMPLETED
ASSEMBLY



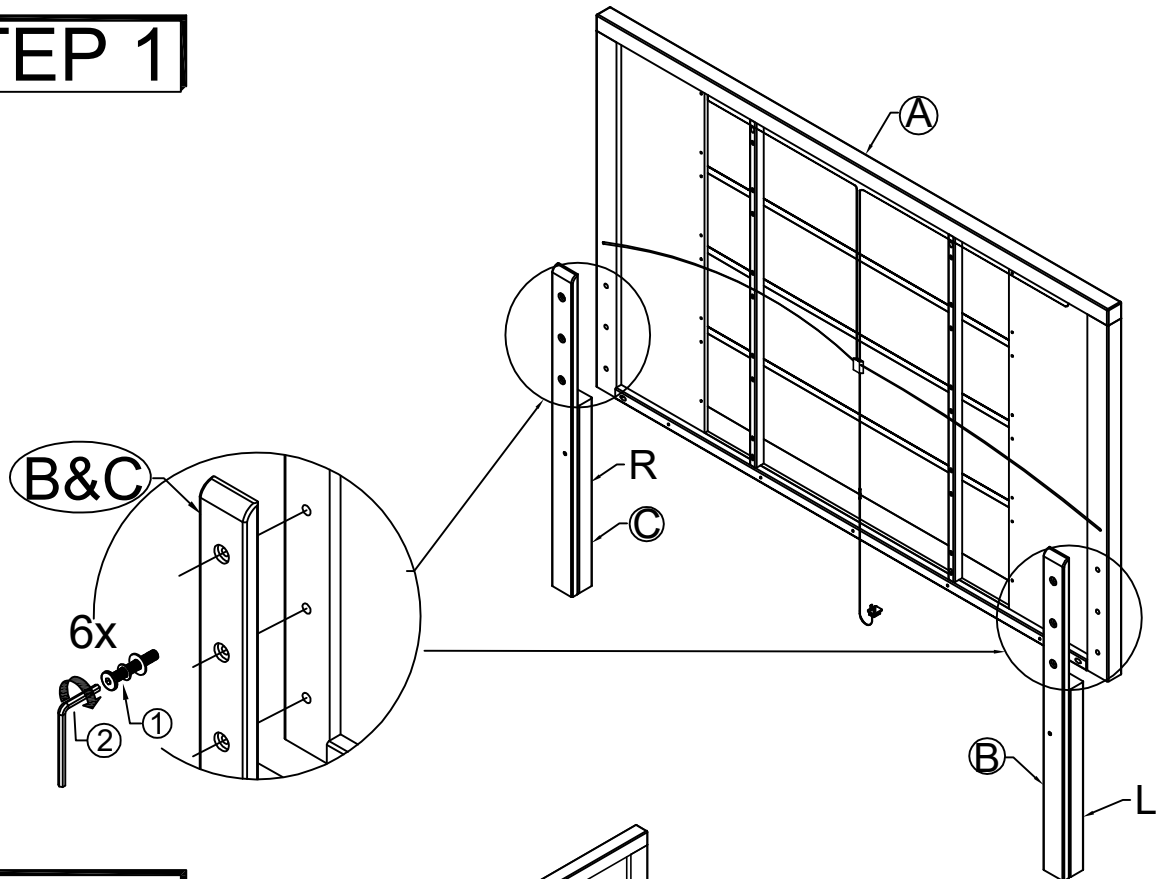
Touch side button turn on the Led Light,
Adjust the brightness of Led Light with Touch Button.
Turn on or off the Led Light with Touch Button.

ASSEMBLY INSTRUCTIONS

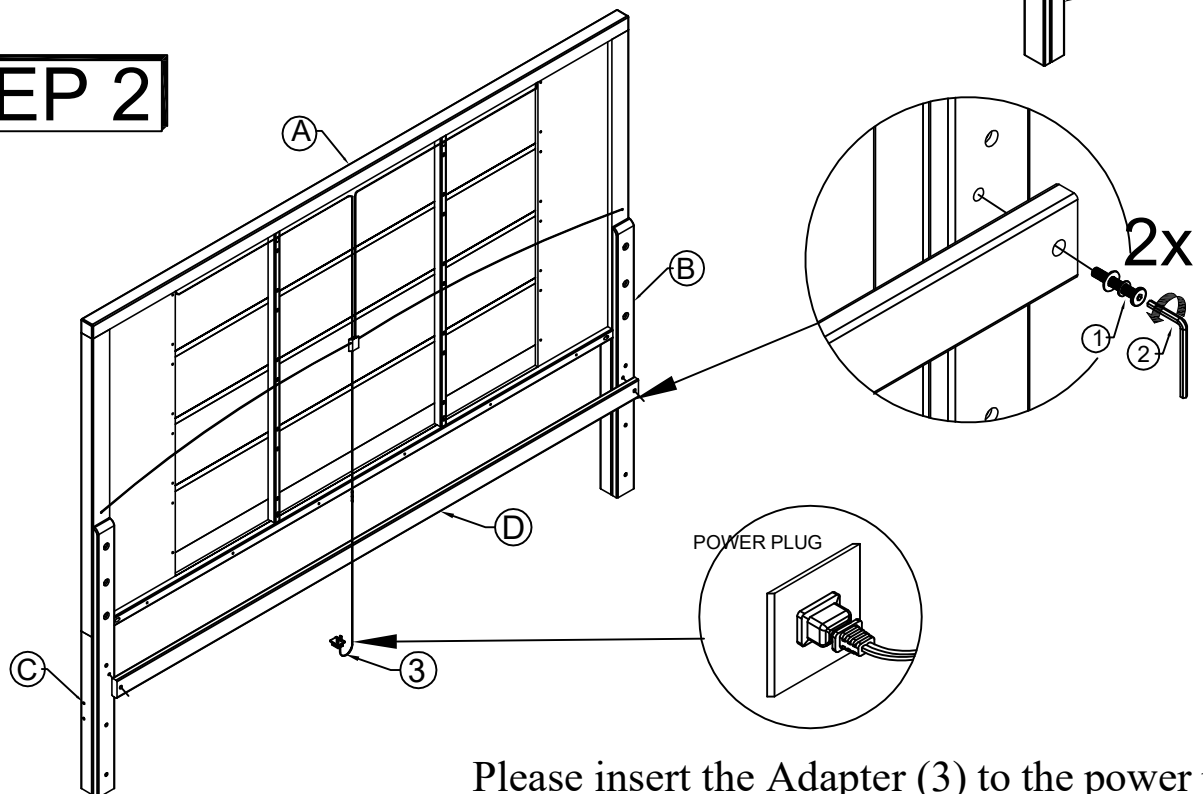
ITEM # : 211-110HK KING HEADBOARD

DO NOT TIGHTEN SCREWS UNTIL COMPLETELY ASSEMBLED !!

STEP 1



STEP 2



Please insert the Adapter (3) to the power plug, to turn on the Led Light