









ASSEMBLY INSTRUCTION

ITEM # : 200-140 GREY MEADOW MIRROR
 ITEM # : 200-130 GREY MEADOW DRESSER

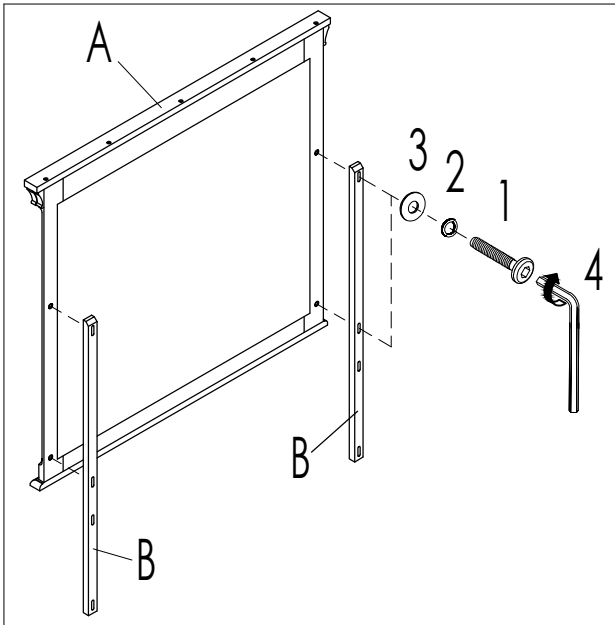
**NOTE : THIS ITEM NOT RECOMMENDED FOR COMMERCIAL USE
 KEEP THIS DOCUMENT FOR REFERENCE IN CASE PARTS ARE NEEDED**

DO NOT TIGHTEN SCREWS UNTIL COMPLETELY ASSEMBLED !!

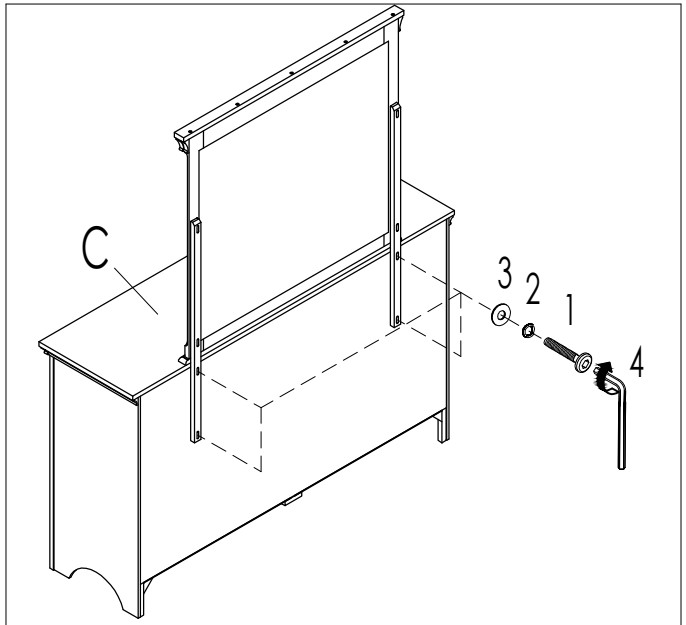
PARTS LIST			
NO.	SKETCH	DESCRIPTION	QTY
A		MIRROR	1 PC
B		MIRROR SUPPORT	2 PCS
C		DRESSER	1 PC

HARDWARE LIST			
NO.	SKETCH	DESCRIPTION	QTY
1		BOLT M6 x 35	8 PCS
2		SPRING WASHER M8	8 PCS
3		FLAT WASHER M8 x 18	8 PCS
4		ALLEN KEY M4	1 PC
5		TIPPING RESTRAINT	1 PC

STEP 1



STEP 2



STEP 3

