

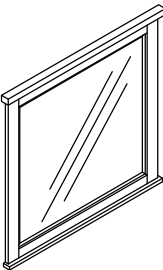
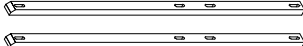
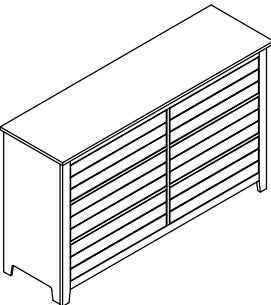
# ASSEMBLY INSTRUCTION

MODEL : 1982-140 (V#12600TLSB1)

**NOTE : THIS ITEM NOT RECOMMENDED FOR COMMERCIAL USE  
KEEP THIS DOCUMENT FOR REFERENCE IN CASE PARTS ARE NEEDED**

**DO NOT TIGHTEN SCREWS UNTIL COMPLETELY ASSEMBLED !!**

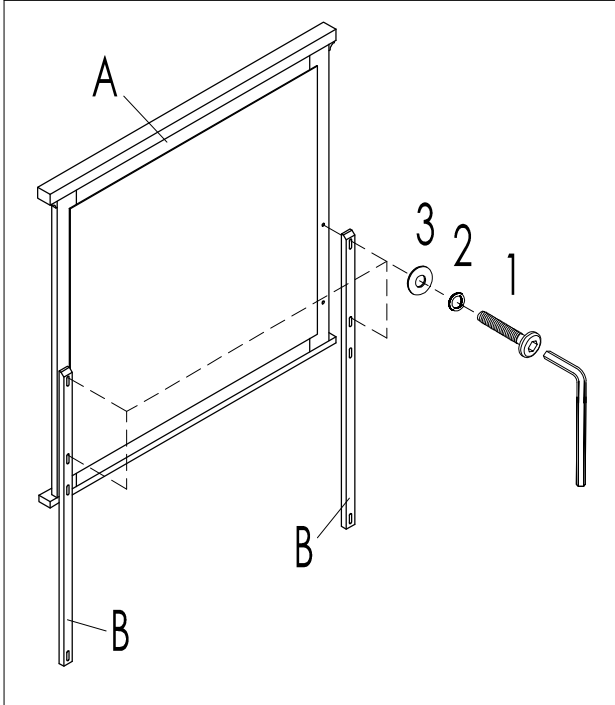
HARDWARE LIST				
NO.		DESCRIPTION		QTY
1		BOLT	M6 x 35	8
2		SPRING WASHER	M8	8
3		FLAT WASHER	M8 x 18	8
4		ALLEN KEY	M4	1

PART LIST			
NO		DESCRIPTION	QTY
A		MIRROR	1
B		MIRROR SUPPORT	2
C		DRESSER	1

# ASSEMBLY INSTRUCTION

MODEL : 1982-140 (V#12600TLB1)

Step 1.



Step 2.

