

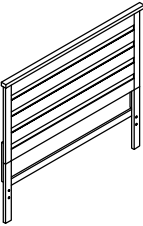
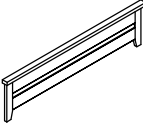
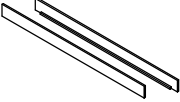
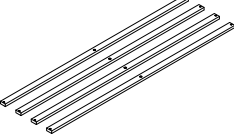
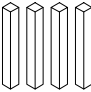
ASSEMBLY INSTRUCTION

MODEL : 1982-105HQ, 1982-105FQ, 1982-105RL (V#12600TLSB1)

**NOTE : THIS ITEM NOT RECOMMENDED FOR COMMERCIAL USE
KEEP THIS DOCUMENT FOR REFERENCE IN CASE PARTS ARE NEEDED**

DO NOT TIGHTEN SCREWS UNTIL COMPLETELY ASSEMBLED !!

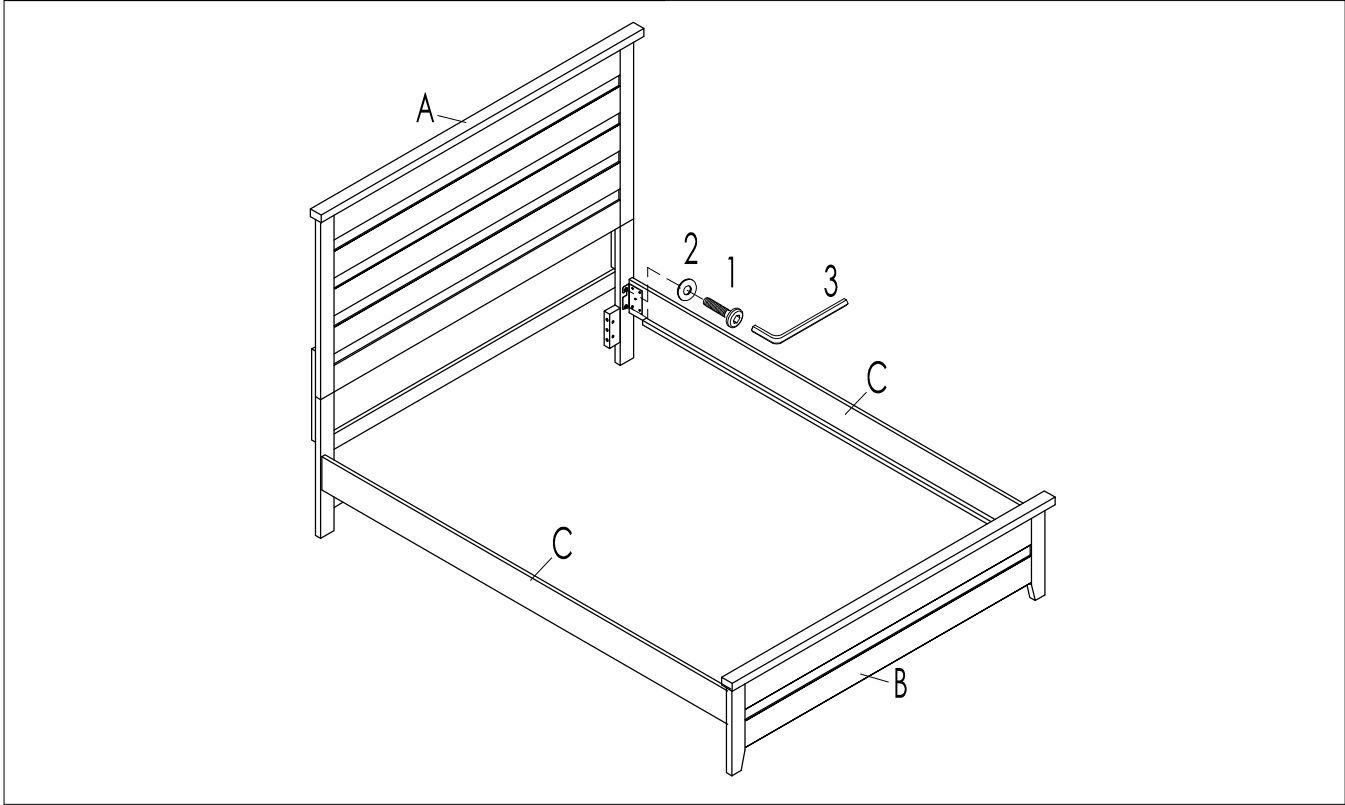
| HARDWARE LIST | | | | |
|---------------|--|-------------|---------|-----|
| NO. | | DESCRIPTION | | QTY |
| 1 |  | BOLT | M8 x 20 | 8 |
| 2 |  | FLAT WASHER | M8 | 8 |
| 3 |  | ALLEN KEY | M5 | 1 |
| 4 |  | PANHEAD | M4 x 32 | 8 |

| PART LIST | | | |
|-----------|---|-----------------|-----|
| NO | | DESCRIPTION | QTY |
| A |  | QUEEN HEADBOARD | 1 |
| B |  | QUEEN FOOTBOARD | 1 |
| C |  | SIDE RAIL | 2 |
| D |  | SLAT | 4 |
| E |  | VERTICAL LEG | 4 |

ASSEMBLY INSTRUCTION

MODEL : 1982-105HQ, 1982-105FQ, 1982-105RL (V#12600TLB1)

Step 1.



Step 2.

