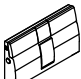
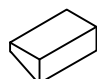


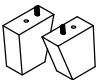
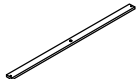
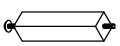













ASSEMBLY INSTRUCTIONS

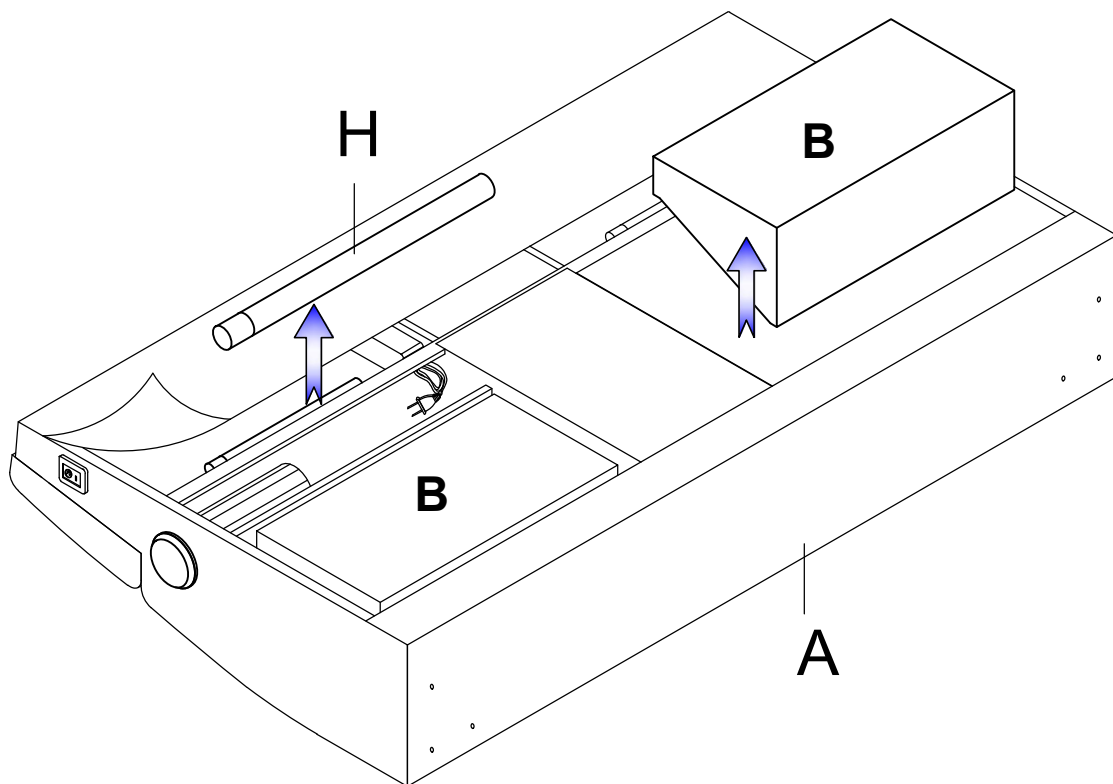
MODEL # : 1959-105HQ CALYPSO MUSIC QUEEN BED HB (V#12600SVCL1)
 MODEL # : 1959-105FQRL CALYPSO MUSIC QUEEN BED FB (V#12600SVCL1)
 MODEL # : 1960-105HQ CALYPSO WHITE MUSIC QUEEN BED HB (V#12600SVCL1)
 MODEL # : 1960-105FQRL CALYPSO WHITE MUSIC QUEEN BED FB (V#12600SVCL1)

NOTE: THIS ITEM NOT RECOMMENDED FOR COMMERCIAL USE
KEEP THIS DOCUMENT FOR REFERENCE IN CASE PARTS ARE NEEDED
DO NOT TIGHTEN SCREWS UNTIL COMPLETELY ASSEMBLED!!

NO.	PARTS LIST		QTY
A		HEADBOARD	1 PC
B		LSF / RSF HB LEG	2 PCS
C		FOOTBOARD	1 PC
D		SIDE RAIL	2 PCS
E		FB LEG	2 PCS
F		SLAT	4 PCS
G		SUPPORT WITH LEVELER	4 PCS
H		LED LIGHT	2 PCS

NO.	HARDWARE LIST			QTY
1		BOLT	Ø5/16"*50mmL	6 PCS
2		BOLT	Ø5/16"*75mmL	2 PCS
3		SPRING WASHER	Ø5/16"	8 PCS
4		FLAT WASHER	Ø5/16"*19mmL	8 PCS
5		ALLEN KEY	4mm * 100mmL	1 PC
6		THREAD BOLT	Ø5/16"*80mmL	8 PCS
7		CURVE WASHER	Ø5/16"	8 PCS
8		HEX NUT	Ø5/16"	8 PCS
9		SCREW	#4 x 30mm	8 PCS
10		OPEN WRENCH		1 PC

STEP 1:

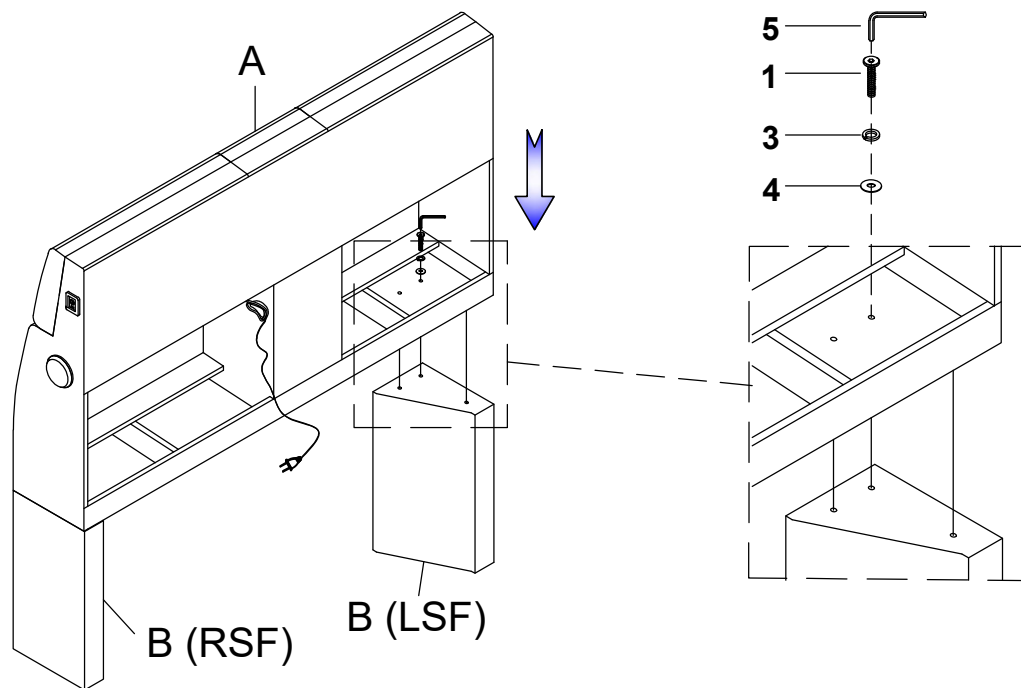


ASSEMBLY INSTRUCTIONS

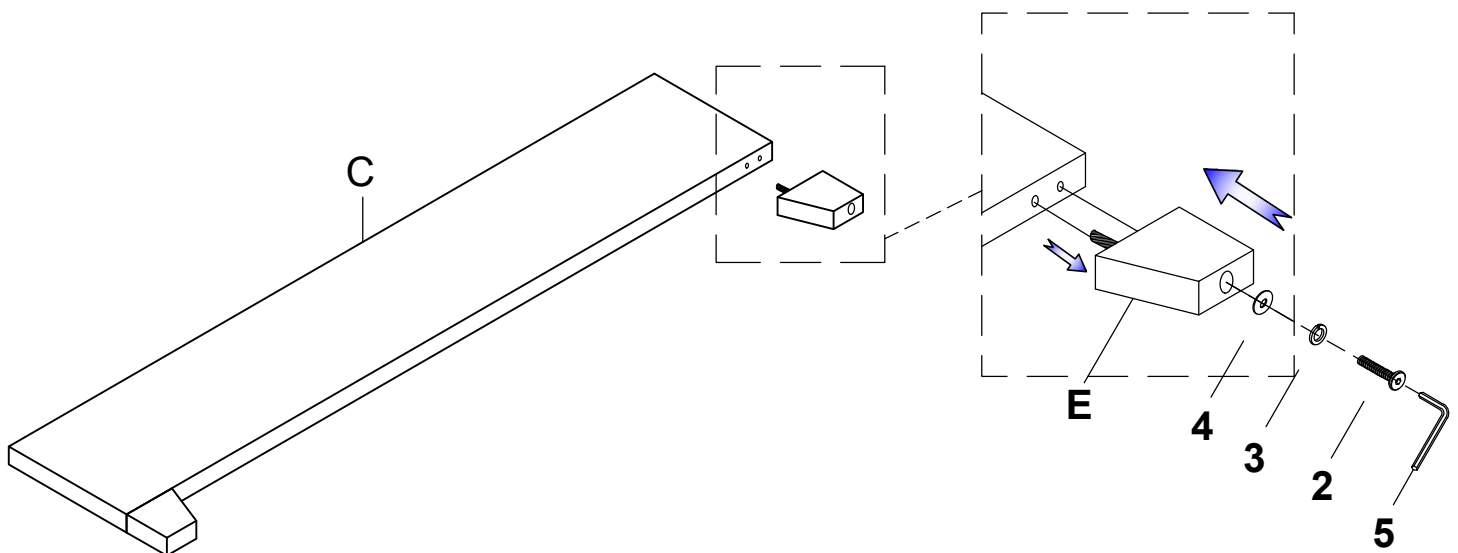
MODEL # : 1959-105HQ CALYPSO MUSIC QUEEN BED HB (V#12600SVCL1)
MODEL # : 1959-105FQRL CALYPSO MUSIC QUEEN BED FB (V#12600SVCL1)
MODEL # : 1960-105HQ CALYPSO WHITE MUSIC QUEEN BED HB (V#12600SVCL1)
MODEL # : 1960-105FQRL CALYPSO WHITE MUSIC QUEEN BED FB (V#12600SVCL1)

NOTE: THIS ITEM NOT RECOMMENDED FOR COMMERCIAL USE
KEEP THIS DOCUMENT FOR REFERENCE IN CASE PARTS ARE NEEDED
DO NOT TIGHTEN SCREWS UNTIL COMPLETELY ASSEMBLED!!

STEP 2:



STEP 3:

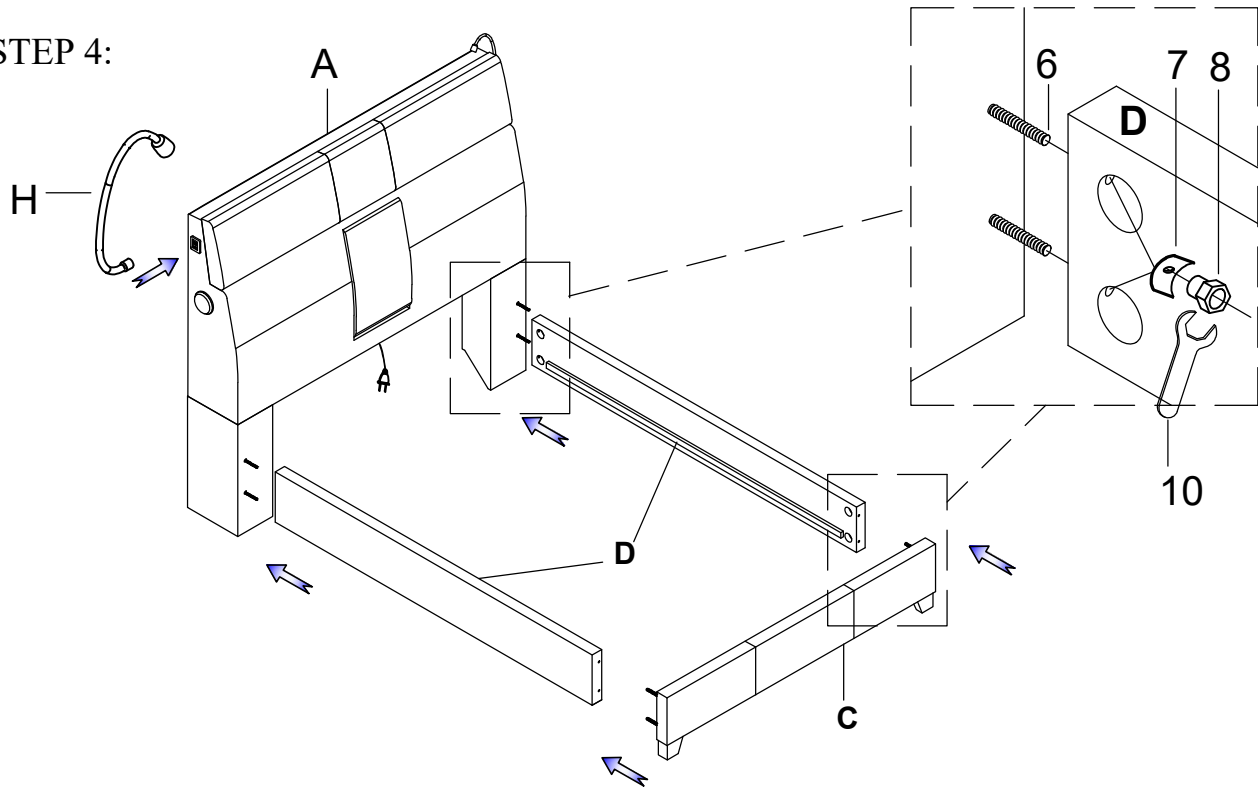


ASSEMBLY INSTRUCTIONS

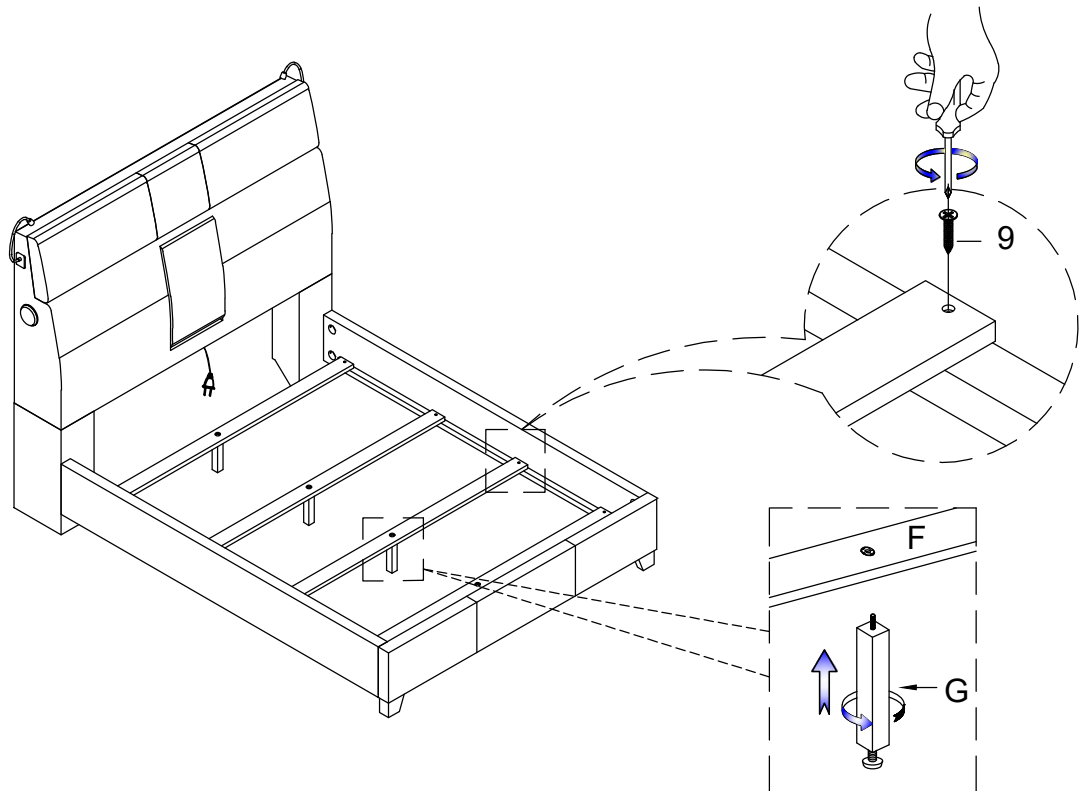
MODEL # : 1959-105HQ CALYPSO MUSIC QUEEN BED HB (V#12600SVCL1)
MODEL # : 1959-105FQRL CALYPSO MUSIC QUEEN BED FB (V#12600SVCL1)
MODEL # : 1960-105HQ CALYPSO WHITE MUSIC QUEEN BED HB (V#12600SVCL1)
MODEL # : 1960-105FQRL CALYPSO WHITE MUSIC QUEEN BED FB (V#12600SVCL1)

**NOTE: THIS ITEM NOT RECOMMENDED FOR COMMERCIAL USE
KEEP THIS DOCUMENT FOR REFERENCE IN CASE PARTS ARE NEEDED
DO NOT TIGHTEN SCREWS UNTIL COMPLETELY ASSEMBLED!!**

STEP 4:



STEP 5:

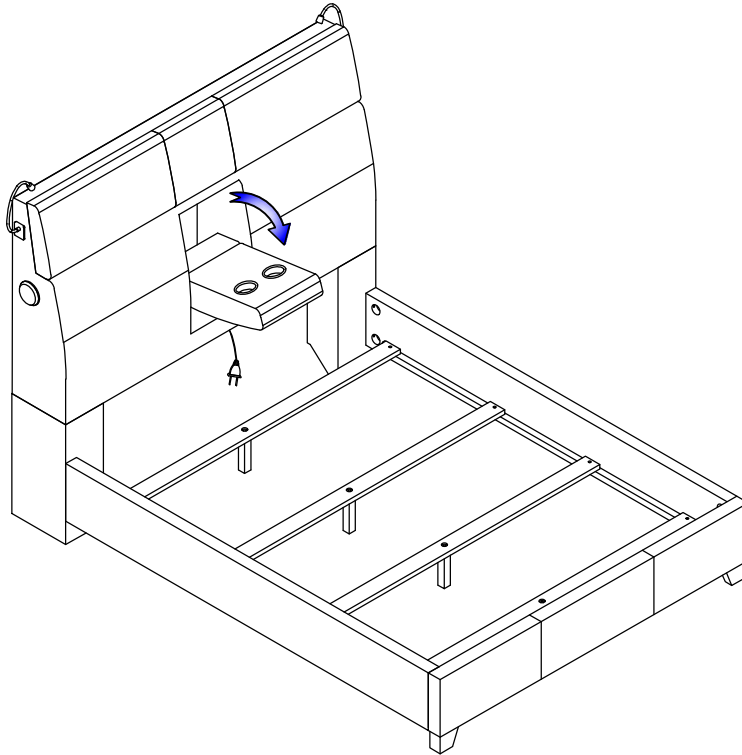


ASSEMBLY INSTRUCTIONS

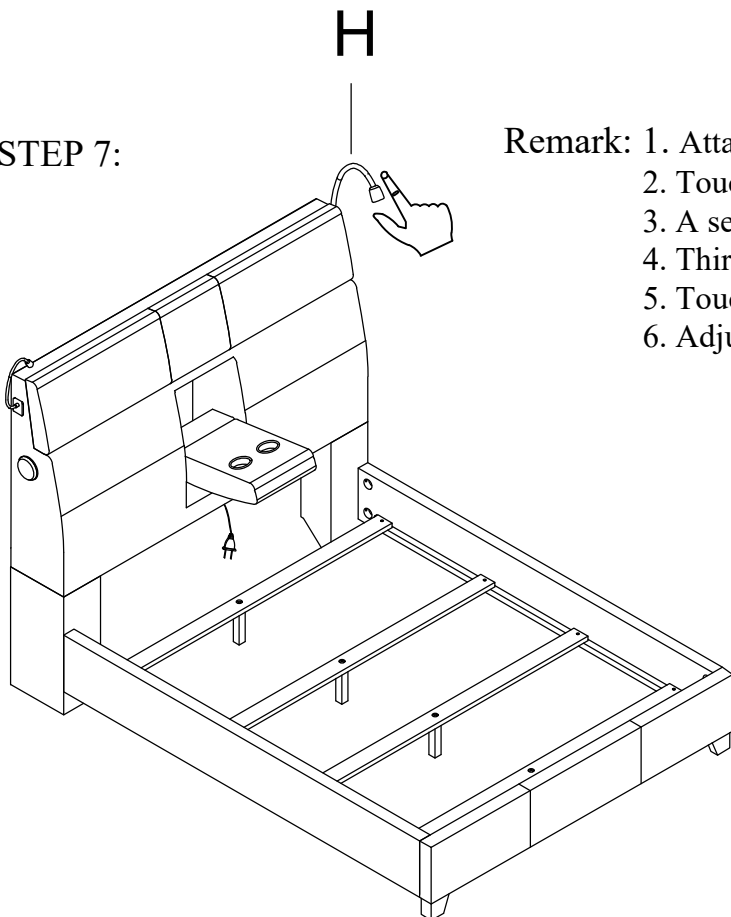
MODEL # : 1959-105HQ CALYPSO MUSIC QUEEN BED HB (V#12600SVCL1)
MODEL # : 1959-105FQRL CALYPSO MUSIC QUEEN BED FB (V#12600SVCL1)
MODEL # : 1960-105HQ CALYPSO WHITE MUSIC QUEEN BED HB (V#12600SVCL1)
MODEL # : 1960-105FQRL CALYPSO WHITE MUSIC QUEEN BED FB (V#12600SVCL1)

NOTE: THIS ITEM NOT RECOMMENDED FOR COMMERCIAL USE
KEEP THIS DOCUMENT FOR REFERENCE IN CASE PARTS ARE NEEDED
DO NOT TIGHTEN SCREWS UNTIL COMPLETELY ASSEMBLED!!

STEP 6:



STEP 7:



- Remark:
1. Attach light into power outlet on side of Headboard
 2. Touch light on stainless rim to turn on
 3. A second touch will brighten light
 4. Third touch turns light off
 5. Touching + holding light too long will result in a default
 6. Adjust light angle at neck