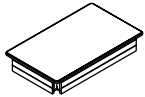
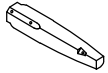
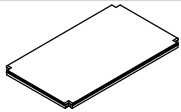


ASSEMBLY INSTRUCTIONS

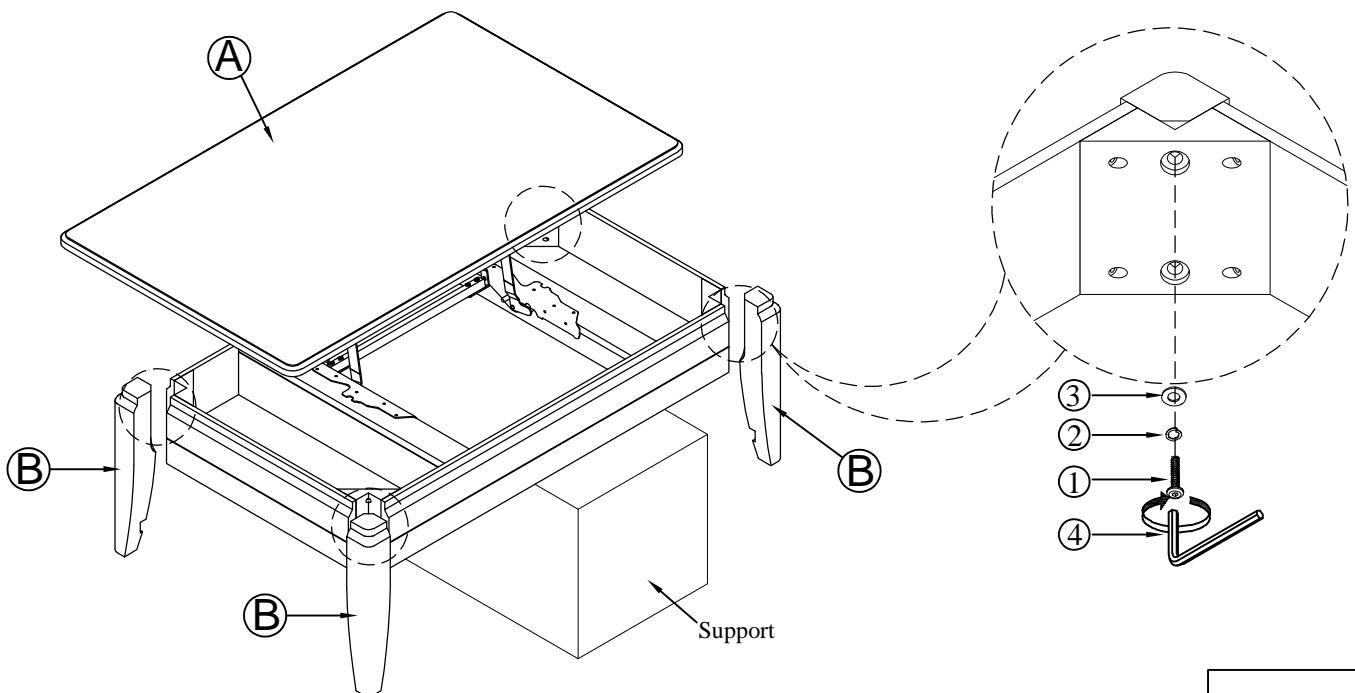
MODEL # : 1921-010 COCKTAIL TABLE (V#12600TNWC1)

**NOTE: THIS ITEM NOT RECOMMENDED FOR COMMERCIAL USE
KEEP THIS DOCUMENT FOR REFERENCE IN CASE PARTS ARE NEEDED
DO NOT TIGHTEN SCREWS UNTIL COMPLETELY ASSEMBLED!!**

No	PARTS LIST		Q'TY
A		TABLE TOP	1PC
B		LEG	4PCS
C		SHELF	1PC

NO.	HARDWARE LIST			Q'TY
1		ALLEN BOLT	Ø5/16" x 2-3/8"	12PCS
2		LOCK WASHER	Ø5/16"	12PCS
3		FLAT WASHER	Ø5/16" x 19Dmm	12PCS
4		ALLEN KEY	4mm	1PC
5		SCREW	5/32" x 3/4"	16PCS
6		CASTORS W/LOCK	N/A	2PCS
7		CASTORS	N/A	2PCS

STEP 1

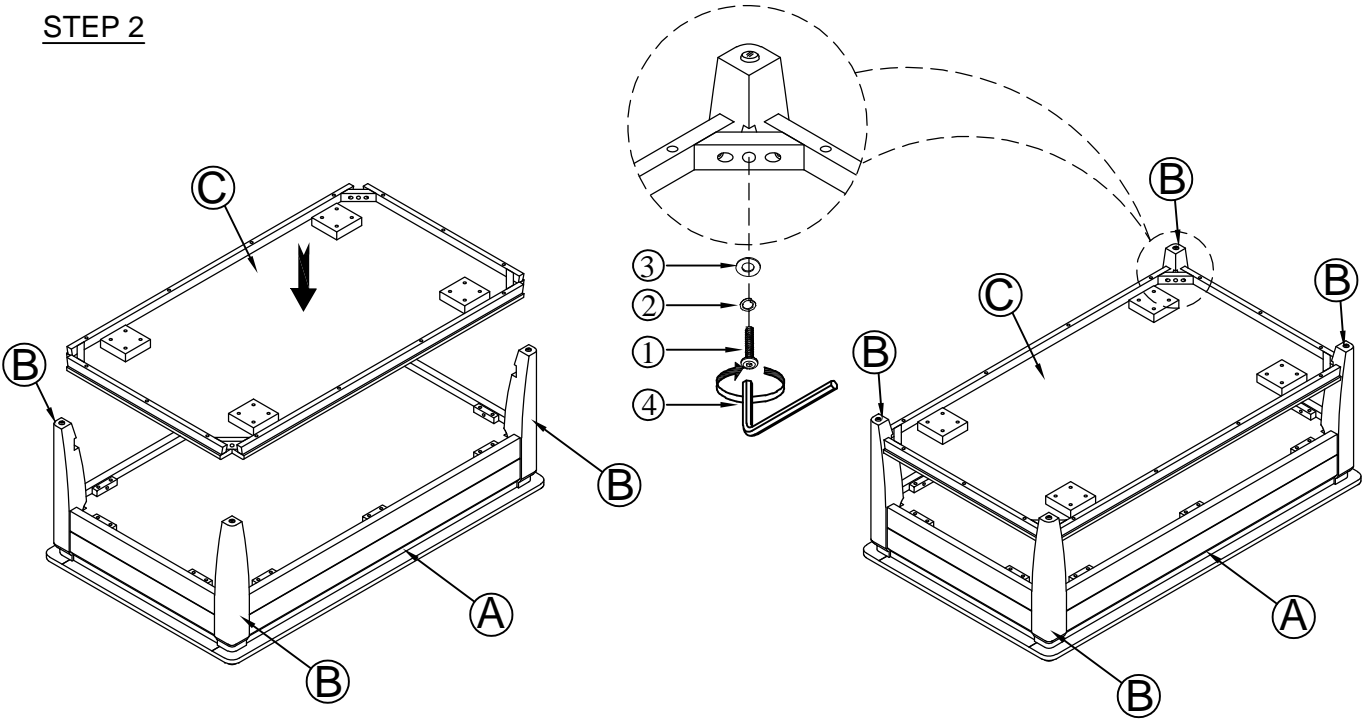


ASSEMBLY INSTRUCTIONS

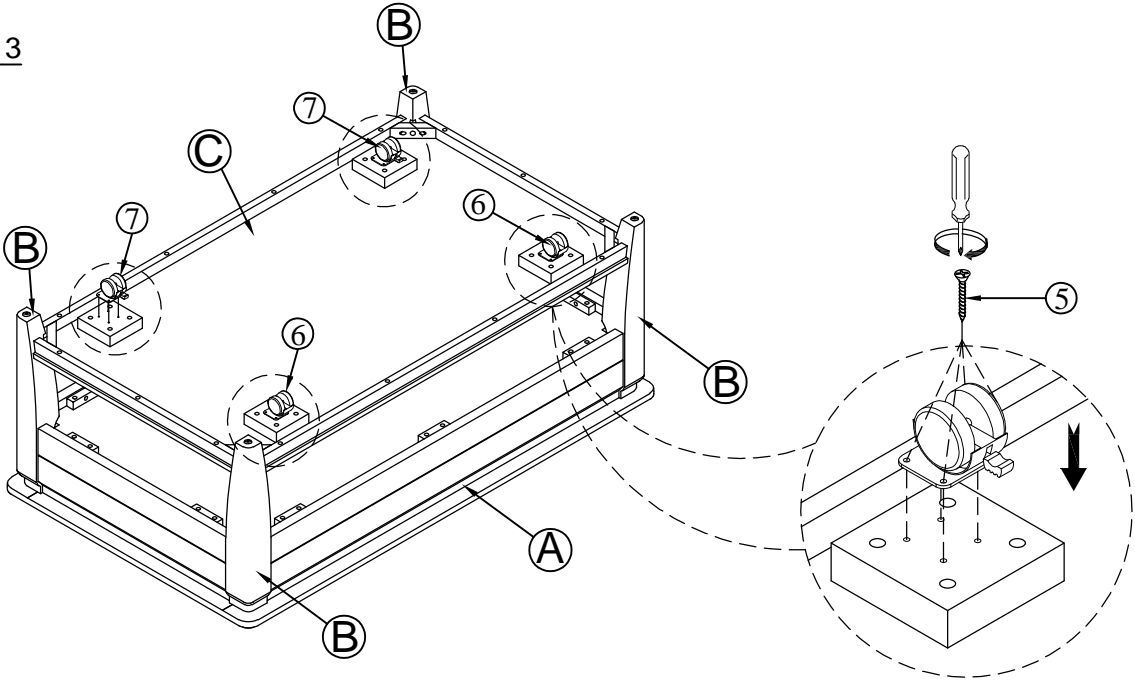
MODEL # : 1921-010 COCKTAIL TABLE (V#12600TNWC1)

NOTE: THIS ITEM NOT RECOMMENDED FOR COMMERCIAL USE
KEEP THIS DOCUMENT FOR REFERENCE IN CASE PARTS ARE NEEDED
DO NOT TIGHTEN SCREWS UNTIL COMPLETELY ASSEMBLED!!

STEP 2



STEP 3



★ REMARK: Locked Castors must install the top or below, as sample

ASSEMBLY INSTRUCTIONS

MODEL # : 1921-010 COCKTAIL TABLE (V#12600TNWC1)

NOTE: THIS ITEM NOT RECOMMENDED FOR COMMERCIAL USE
KEEP THIS DOCUMENT FOR REFERENCE IN CASE PARTS ARE NEEDED
DO NOT TIGHTEN SCREWS UNTIL COMPLETELY ASSEMBLED!!

COMPLETED

