





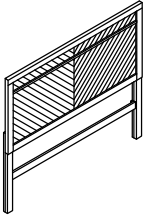
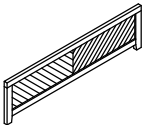
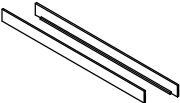
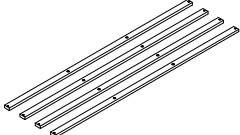
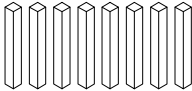
ASSEMBLY INSTRUCTION

MODEL : 1914-110HK, 1914-110FK, 1914-105RL (V#12600TLSB1)

**NOTE : THIS ITEM NOT RECOMMENDED FOR COMMERCIAL USE
KEEP THIS DOCUMENT FOR REFERENCE IN CASE PARTS ARE NEEDED**

DO NOT TIGHTEN SCREWS UNTIL COMPLETELY ASSEMBLED !!

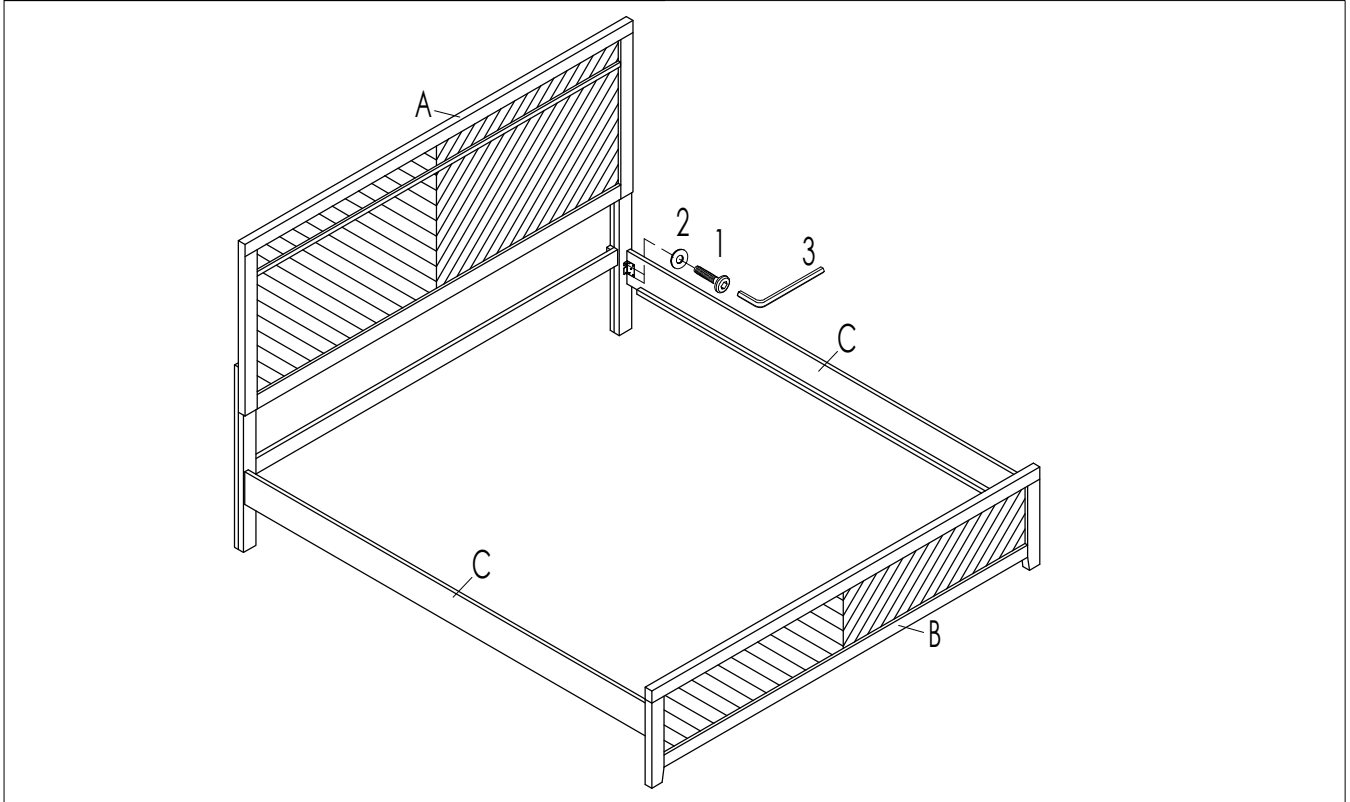
HARDWARE LIST				
NO.		DESCRIPTION		QTY
1		BOLT	M8 x 20	8
2		FLAT WASHER	M8	8
3		ALLEN KEY	M5	1
4		PANHEAD	M4 x 32	8

PART LIST			
NO		DESCRIPTION	QTY
A		KING HEADBOARD	1
B		KING FOOTBOARD	1
C		SIDE RAIL	2
D		SLAT	4
E		VERTICAL LEG	8

ASSEMBLY INSTRUCTION

MODEL : 1914-110HK, 1914-110FK, 1914-105RL (V#12600TLSB1)

Step 1.



Step 2.

