


# ASSEMBLY INSTRUCTIONS

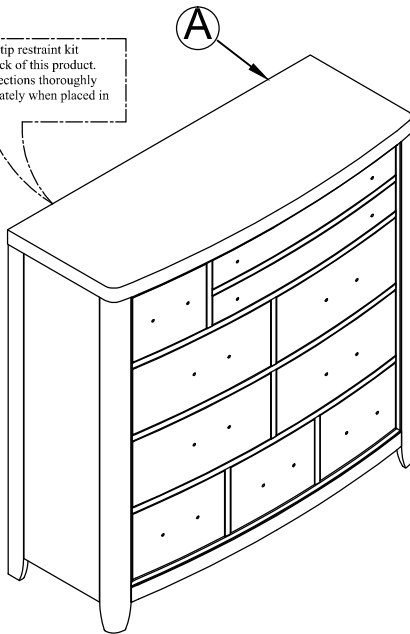
MODEL # : 1720-151 FULTON HIGH CHEST (V#12600MHW1)

**NOTE: THIS ITEM NOT RECOMMENDED FOR COMMERCIAL USE  
KEEP THIS DOCUMENT FOR REFERENCE IN CASE PARTS ARE NEEDED  
DO NOT TIGHTEN SCREWS UNTIL COMPLETELY ASSEMBLED! !**

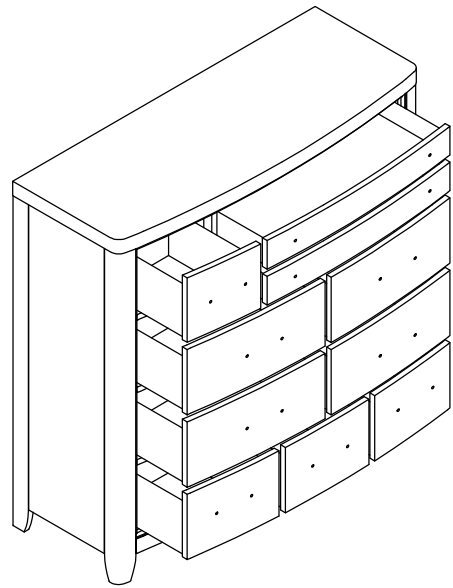
No	PARTS LIST		Q'TY
A		HIGH CHEST	1PC

## STEP 1

★ Remark: there is a tip restraint kit provided on the back of this product. Please read the directions thoroughly and install immediately when placed in home.



## STEP 2



## STEP 3

