


ASSEMBLY INSTRUCTIONS

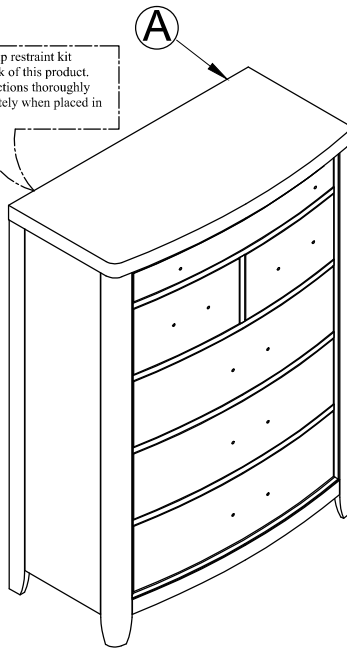
MODEL # : 1720-150 FULTON CHEST (V#12600MHWF1)

**NOTE: THIS ITEM NOT RECOMMENDED FOR COMMERCIAL USE
KEEP THIS DOCUMENT FOR REFERENCE IN CASE PARTS ARE NEEDED
DO NOT TIGHTEN SCREWS UNTIL COMPLETELY ASSEMBLED! !**

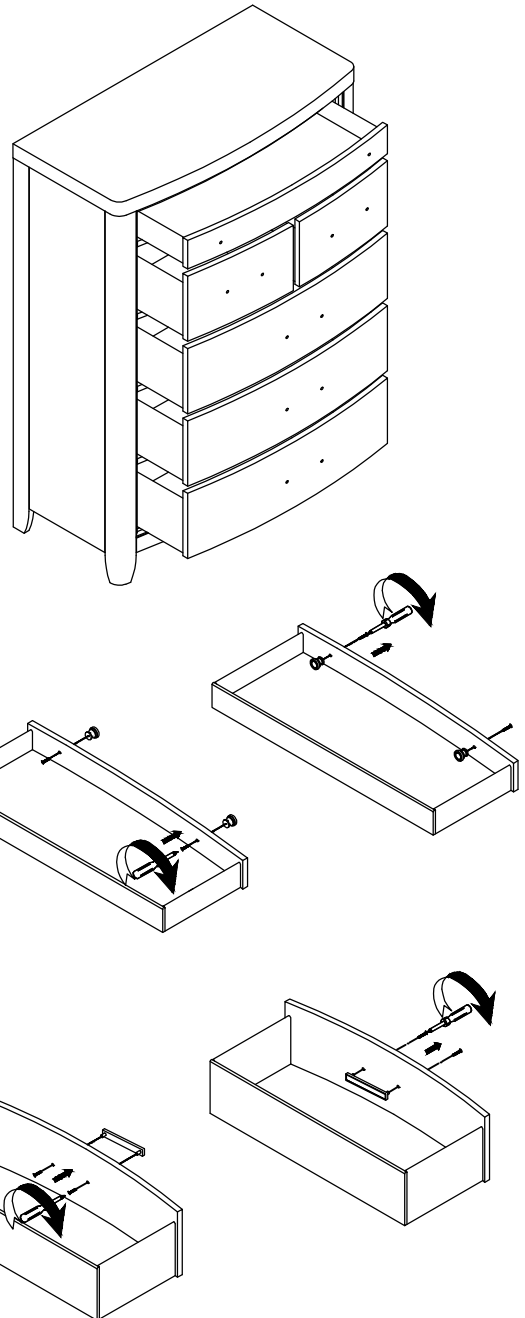
No	PARTS LIST		Q'TY
A		CHEST	1PC

STEP 1

★ Remark: there is a tip restraint kit provided on the back of this product. Please read the directions thoroughly and install immediately when placed in home.



STEP 2



STEP 3

