


ASSEMBLY INSTRUCTIONS

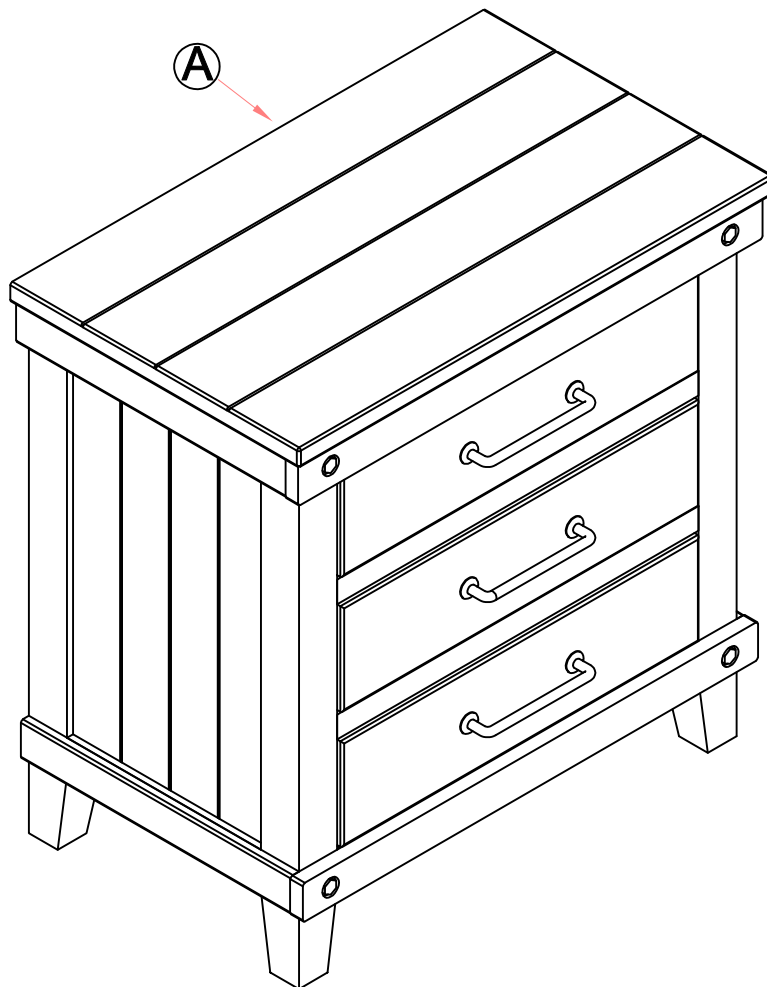
MODEL # : 1708-120 SPRUCE CREEK 3 DRW NIGHTSTAND (V#12600VTC1)

MODEL # : 1709-120 SPRUCE CREEK WHITE 3 DRW NIGHTSTAND (V#12600VTC1)

NOTE: THIS ITEM NOT RECOMMENDED FOR COMMERCIAL USE
KEEP THIS DOCUMENT FOR REFERENCE IN CASE PARTS ARE NEEDED
DO NOT TIGHTEN SCREWS UNTIL COMPLETELY ASSEMBLED! !

No	PARTS LIST		Q'TY
A		3 DRAWER NIGHTSTAND	1PC

STEP 1




ASSEMBLY INSTRUCTIONS

MODEL # : 1708-150 SPRUCE CREEK CHEST (V#12600VTC1)

MODEL # : 1709-150 SPRUCE CREEK WHITE CHEST (V#12600VTC1)

**NOTE: THIS ITEM NOT RECOMMENDED FOR COMMERCIAL USE
KEEP THIS DOCUMENT FOR REFERENCE IN CASE PARTS ARE NEEDED
DO NOT TIGHTEN SCREWS UNTIL COMPLETELY ASSEMBLED! !**

No	PARTS LIST		Q'TY
A		CHEST	1PC

STEP 1

★ Remark: there is a tip restraint kit provided on the back of this product. Please read the directions thoroughly and install immediately when placed in home.




ASSEMBLY INSTRUCTIONS

MODEL # : 1708-151 SPRUCE CREEK DOOR CHEST (V#12600VTC1)

MODEL # : 1709-151 SPRUCE CREEK WHITE DOOR CHEST (V#12600VTC1)

**NOTE: THIS ITEM NOT RECOMMENDED FOR COMMERCIAL USE
KEEP THIS DOCUMENT FOR REFERENCE IN CASE PARTS ARE NEEDED
DO NOT TIGHTEN SCREWS UNTIL COMPLETELY ASSEMBLED! !**

No	PARTS LIST		Q'TY
A		DOOR CHEST	1PC

STEP 1

★ Remark: there is a tip restraint kit provided on the back of this product. Please read the directions thoroughly and install immediately when placed in home.

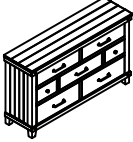


ASSEMBLY INSTRUCTIONS

MODEL # : 1708-130 SPRUCE CREEK DRESSER (V#12600VTC1)

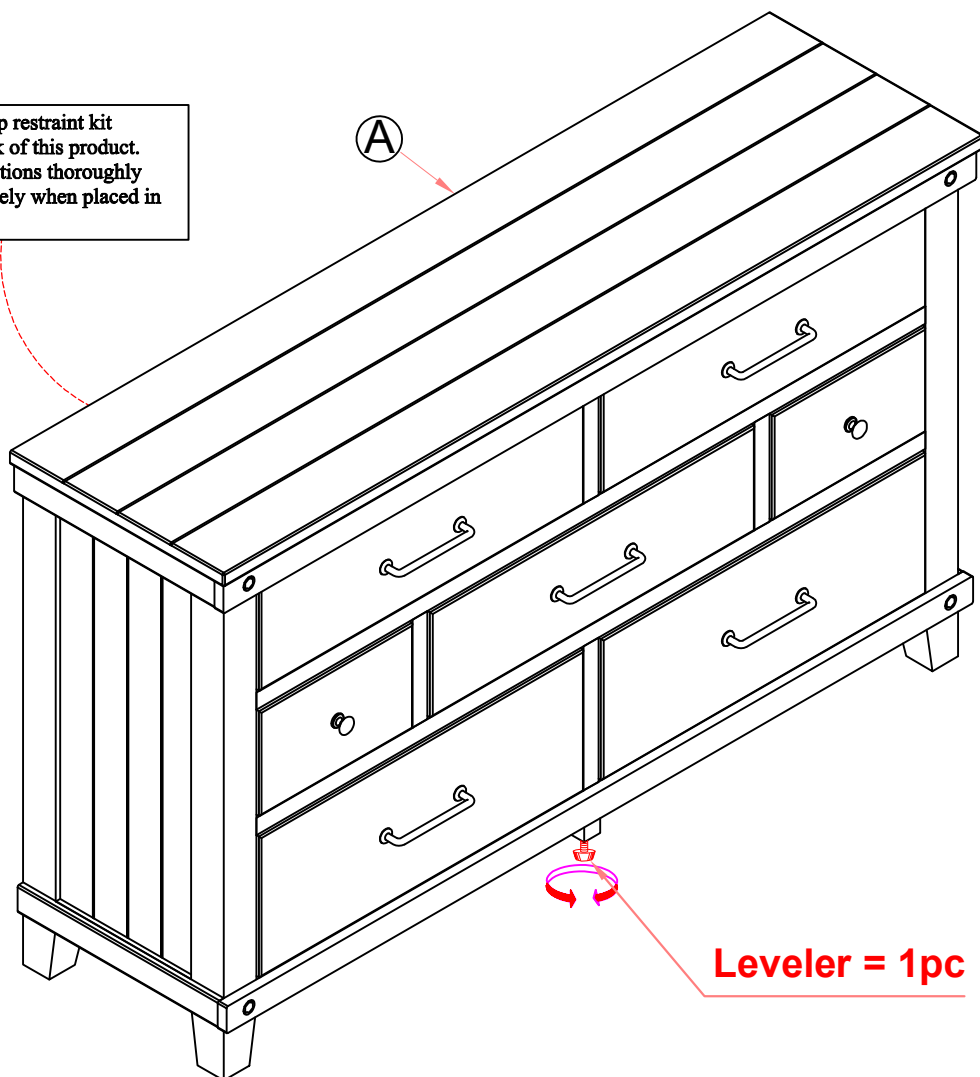
MODEL # : 1709-130 SPRUCE CREEK WHITE DRESSER (V#12600VTC1)

**NOTE: THIS ITEM NOT RECOMMENDED FOR COMMERCIAL USE
KEEP THIS DOCUMENT FOR REFERENCE IN CASE PARTS ARE NEEDED
DO NOT TIGHTEN SCREWS UNTIL COMPLETELY ASSEMBLED! !**

No	PARTS LIST		Q'TY
A		DRESSER	1PC

STEP 1

★ Remark: there is a tip restraint kit provided on the back of this product. Please read the directions thoroughly and install Immediately when placed in home.



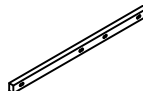






ASSEMBLY INSTRUCTIONS

MODEL # : 1708-140 SPRUCE CREEK MIRROR (V#12600VTC1)

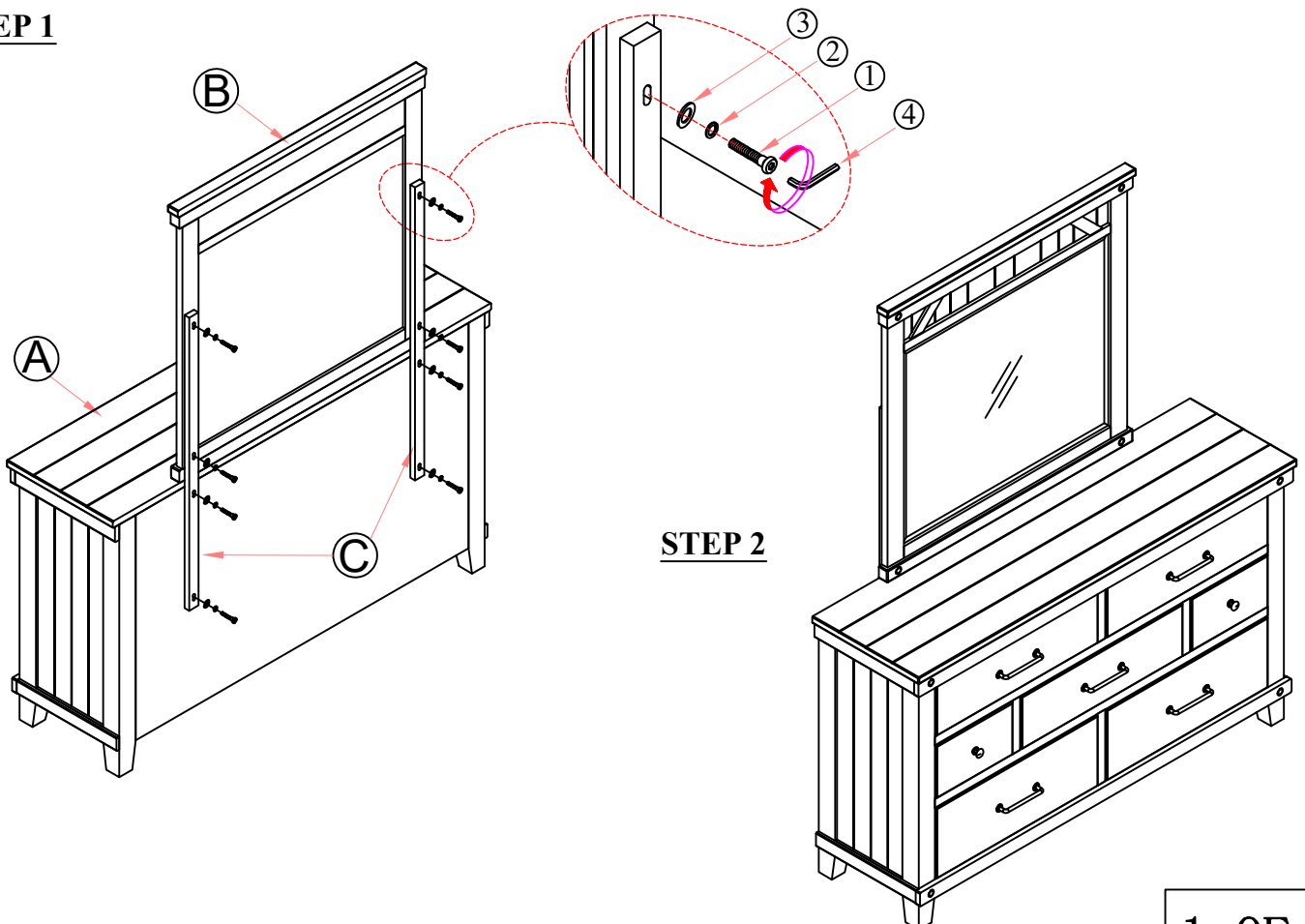
MODEL # : 1709-140 SPRUCE CREEK WHITE MIRROR (V#12600VTC1)

**NOTE: THIS ITEM NOT RECOMMENDED FOR COMMERCIAL USE
KEEP THIS DOCUMENT FOR REFERENCE IN CASE PARTS ARE NEEDED
DO NOT TIGHTEN SCREWS UNTIL COMPLETELY ASSEMBLED! !**

No	PARTS LIST		Q'TY
A		DRESSER	1PC
B		MIRROR	1PC
C		MIRROR SUPPORT IN MIRROR BOX	2PCS

NO.	HARDWARE LIST		Q'TY
1		ALLEN BOLT Ø1/4"x1-1/2"	8PCS
2		LOCK WASHER Ø1/4" x 10D x 1.1mm	8PCS
3		FLAT WASHER Ø1/4" x 18D x 2mm	8PCS
4		ALLEN KEY 2-1/4" x 4mm	1PC


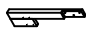






STEP 1






ASSEMBLY INSTRUCTIONS

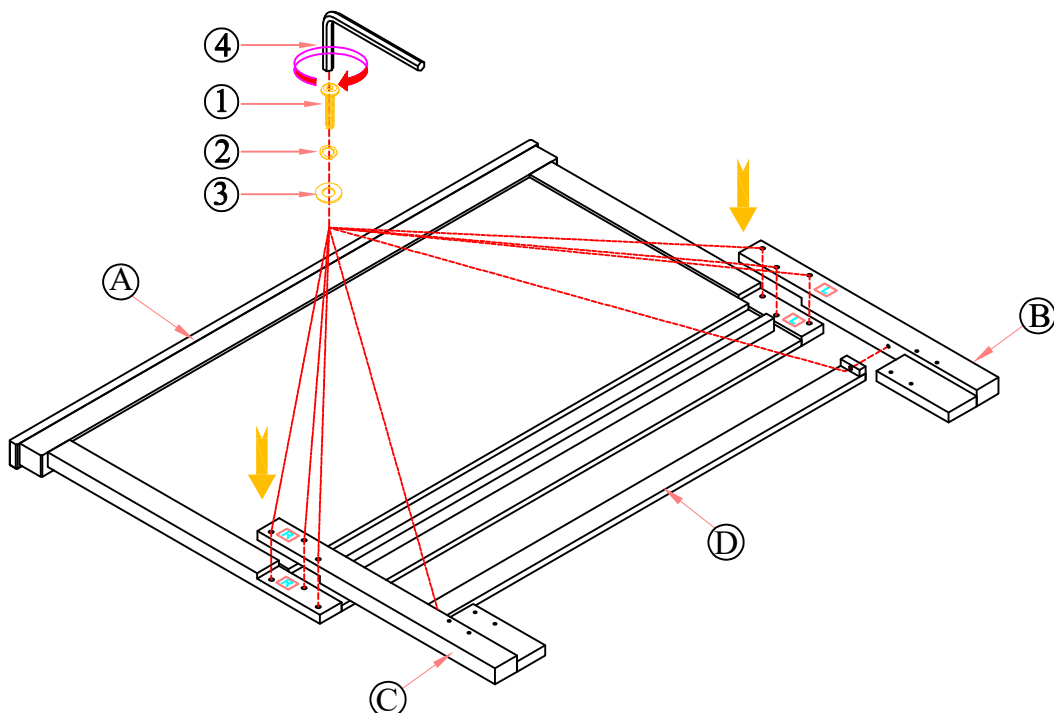
MODEL # : 1708-105HQ SPRUCE CREEK QUEEN HB	(V#12600VTC1)
MODEL # : 1708-105FQ SPRUCE CREEK QUEEN FB	(V#12600VTC1)
MODEL # : 1708-105RL SPRUCE CREEK QUEEN/ KING SIDE RAILS	(V#12600VTC1)
MODEL # : 1709-105HQ SPRUCE CREEK WHITE QUEEN HB	(V#12600VTC1)
MODEL # : 1709-105FQ SPRUCE CREEK WHITE QUEEN FB	(V#12600VTC1)
MODEL # : 1709-105RL SPRUCE CREEK WHITE QUEEN/ KING SIDE RAILS	(V#12600VTC1)

NOTE: THIS ITEM NOT RECOMMENDED FOR COMMERCIAL USE
KEEP THIS DOCUMENT FOR REFERENCE IN CASE PARTS ARE NEEDED
DO NOT TIGHTEN SCREWS UNTIL COMPLETELY ASSEMBLED! !

No	PARTS LIST	Q'TY
A	 HEADBOARD	1PC
B	 LEFT LEG	1PC
C	 RIGHT LEG	1PC
D	 HEADBOARD BOTTOM RAIL	1PC
E	 FOOTBOARD	1PC
F	 SIDE RAIL	2PCS
G	 SLATS	4PCS
H	 SUPPORT WITH LEVELER	4PCS

No	HARDWARE LIST			Q'TY
1		BOLT	Ø5/16" x 1-3/4"	8PCS
2		LOCK WASHER	Ø5/16" x 10D x 1.1mm	8PCS
3		FLAT WASHER	Ø5/16" x 18D x 2mm	8PCS
4		WRENCH	2-1/4" x 4mm	1PC
5		THREAD BOLT	Ø5/16" x 90mm	8PCS
6		CURVED WASHERS	Ø5/16" DIA	8PCS
7		HEX NUT	Ø5/16" DIA	8PCS
8		OPEN WRENCH	12mm	1PC
9		SCREW	1-1/4" x 4mm	8PCS

STEP 1

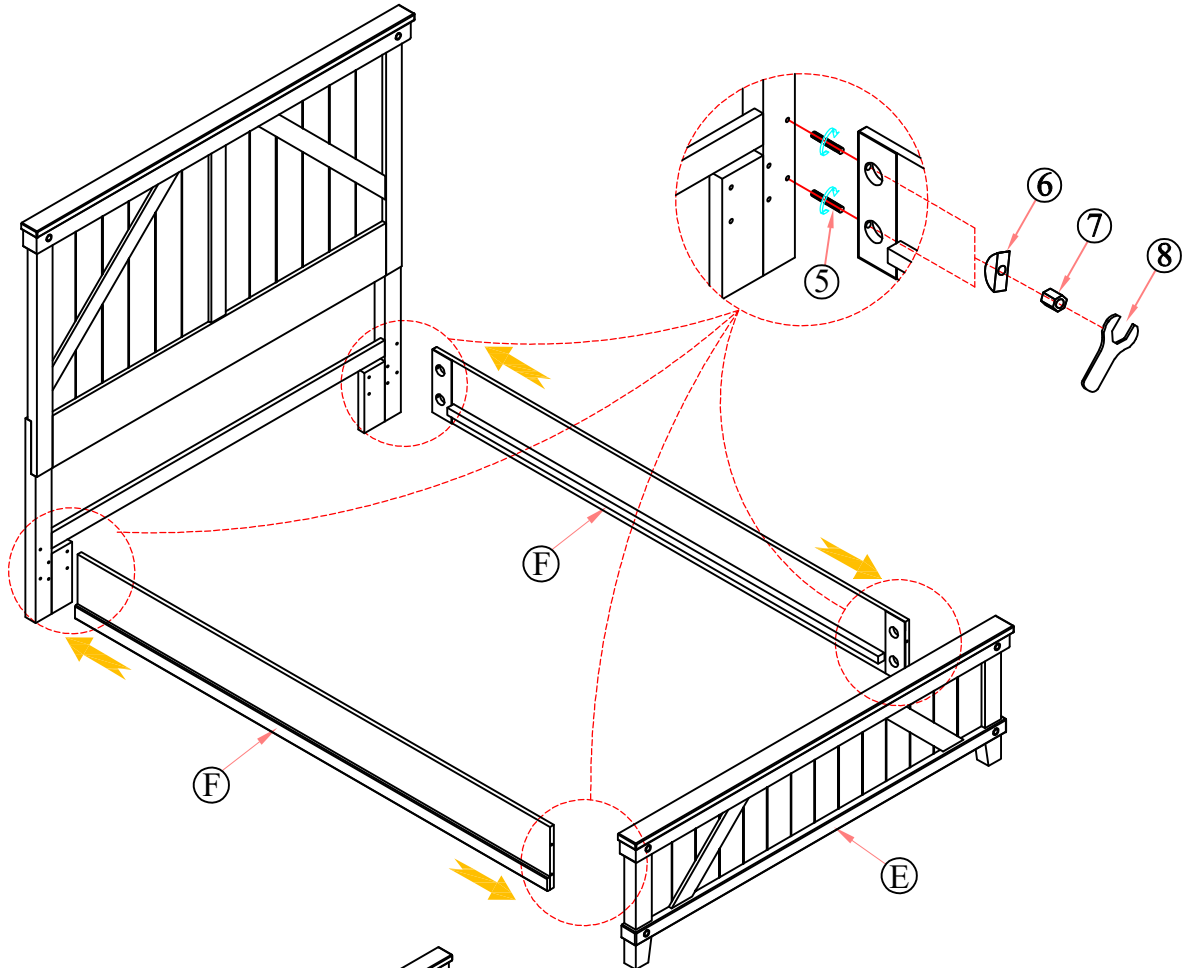


ASSEMBLY INSTRUCTIONS

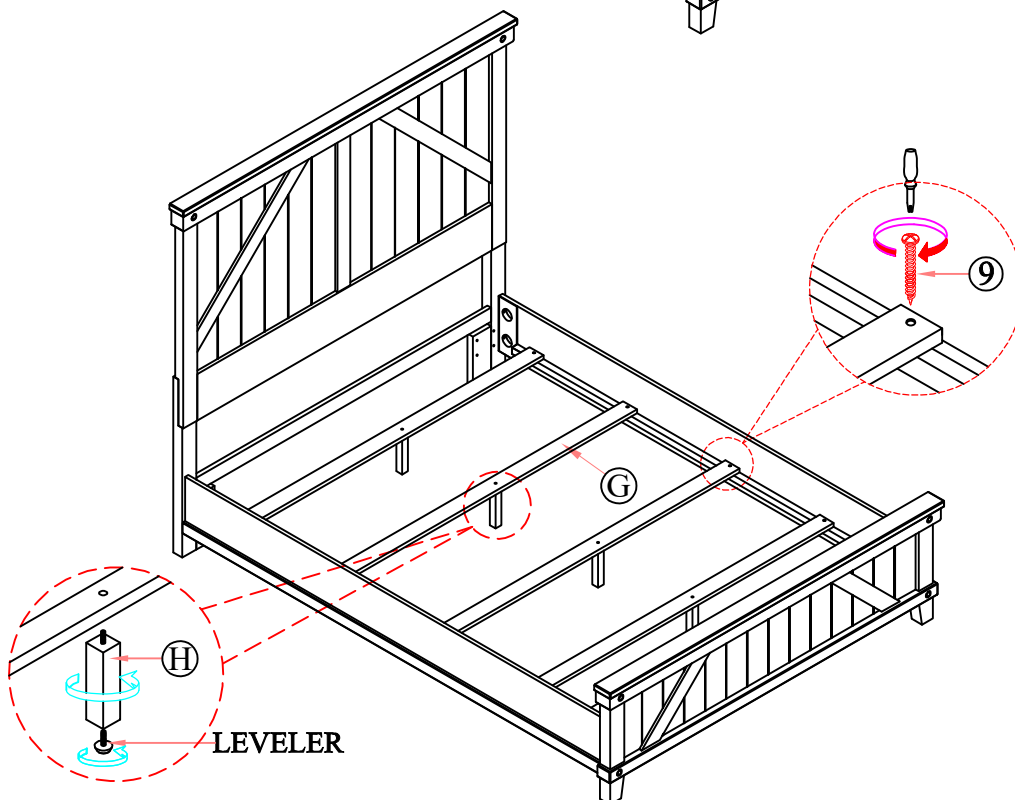
MODEL # : 1708-105HQ	SPRUCE CREEK QUEEN HB	(V#12600VTC1)
MODEL # : 1708-105FQ	SPRUCE CREEK QUEEN FB	(V#12600VTC1)
MODEL # : 1708-105RL	SPRUCE CREEK QUEEN/ KING SIDE RAILS	(V#12600VTC1)
MODEL # : 1709-105HQ	SPRUCE CREEK WHITE QUEEN HB	(V#12600VTC1)
MODEL # : 1709-105FQ	SPRUCE CREEK WHITE QUEEN FB	(V#12600VTC1)
MODEL # : 1709-105RL	SPRUCE CREEK WHITE QUEEN/ KING SIDE RAILS	(V#12600VTC1)

NOTE: THIS ITEM NOT RECOMMENDED FOR COMMERCIAL USE
KEEP THIS DOCUMENT FOR REFERENCE IN CASE PARTS ARE NEEDED
DO NOT TIGHTEN SCREWS UNTIL COMPLETELY ASSEMBLED! !

STEP 2




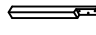
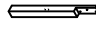





STEP 3

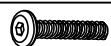










ASSEMBLY INSTRUCTIONS

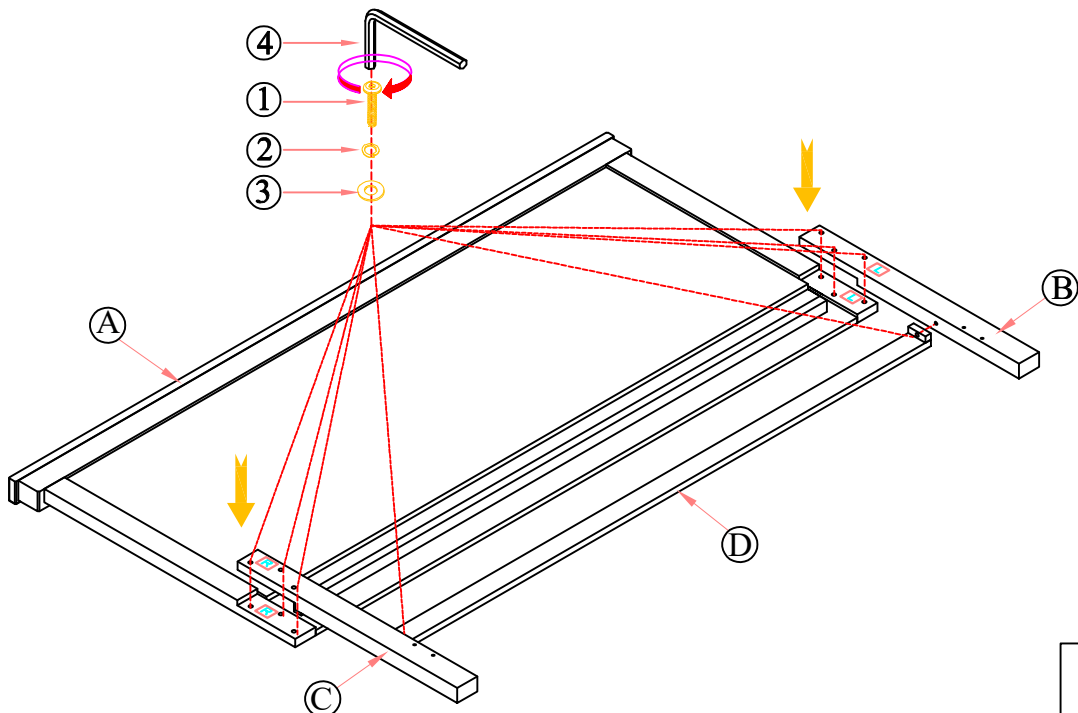
MODEL # : 1708-110HK SPRUCE CREEK KING HB	(V#12600VTC1)
MODEL # : 1708-110FK SPRUCE CREEK KING FB	(V#12600VTC1)
MODEL # : 1708-105RL SPRUCE CREEK QUEEN/ KING SIDE RAILS	(V#12600VTC1)
MODEL # : 1709-110HK SPRUCE CREEK WHITE KING HB	(V#12600VTC1)
MODEL # : 1709-110FK SPRUCE CREEK WHITE KING FB	(V#12600VTC1)
MODEL # : 1709-105RL SPRUCE CREEK WHITE QUEEN/ KING SIDE RAILS	(V#12600VTC1)

NOTE: THIS ITEM NOT RECOMMENDED FOR COMMERCIAL USE
KEEP THIS DOCUMENT FOR REFERENCE IN CASE PARTS ARE NEEDED
DO NOT TIGHTEN SCREWS UNTIL COMPLETELY ASSEMBLED! !

No	PARTS LIST	Q'TY
A	 HEADBOARD	1PC
B	 LEFT LEG	1PC
C	 RIGHT LEG	1PC
D	 HEADBOARD BOTTOM RAIL	1PC
E	 FOOTBOARD	1PC
F	 SIDE RAIL	2PCS
G	 SLATS	4PCS
H	 SUPPORT WITH LEVELER	8PCS

No	HARDWARE LIST		Q'TY	
1		BOLT	Ø5/16" x 1-3/4"	8PCS
2		LOCK WASHER	Ø5/16" x 10D x 1.1mm	8PCS
3		FLAT WASHER	Ø5/16" x 18D x 2mm	8PCS
4		WRENCH	2-1/4" x 4mm	1PC
5		THREAD BOLT	Ø5/16" x 90mm	8PCS
6		CURVED WASHERS	Ø5/16" DIA	8PCS
7		HEX NUT	Ø5/16" DIA	8PCS
8		OPEN WRENCH	12mm	1PC
9		SCREW	1-1/4" x 4mm	8PCS

STEP 1

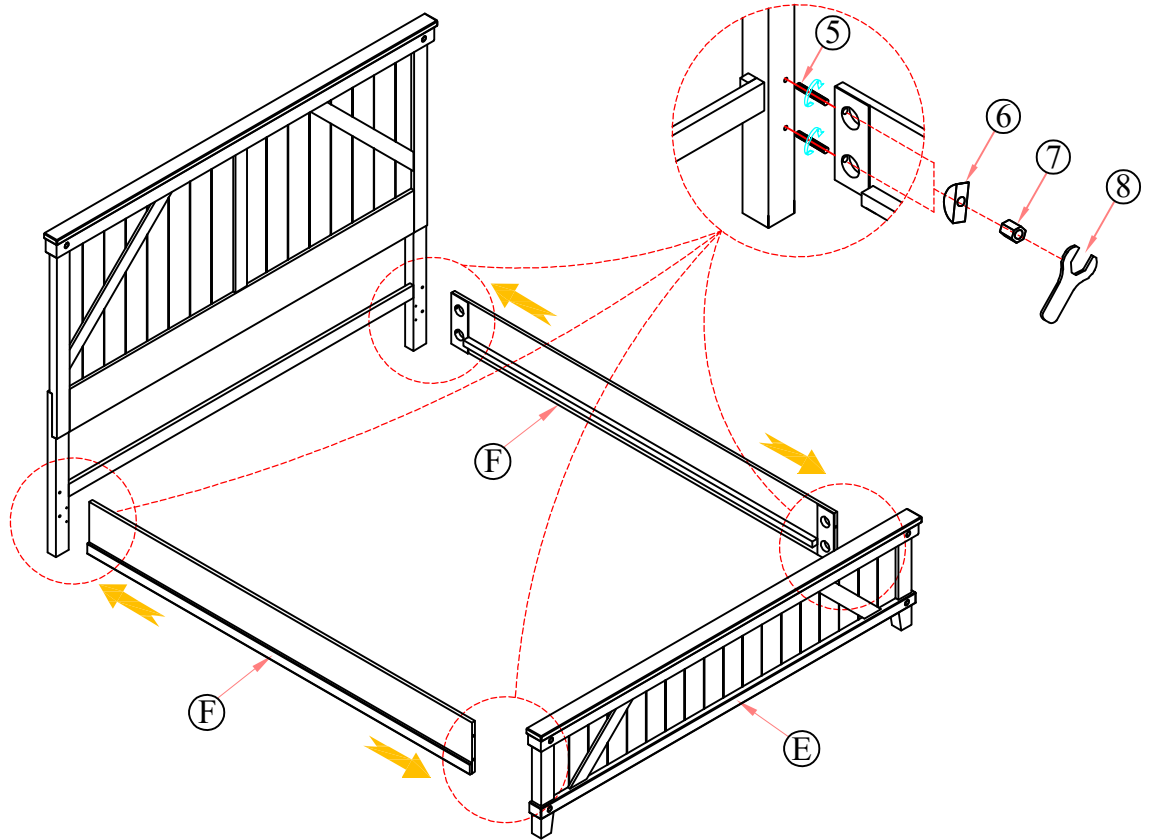


ASSEMBLY INSTRUCTIONS

MODEL # : 1708-110HK	SPRUCE CREEK KING HB	(V#12600VTC1)
MODEL # : 1708-110FK	SPRUCE CREEK KING FB	(V#12600VTC1)
MODEL # : 1708-105RL	SPRUCE CREEK QUEEN/ KING SIDE RAILS	(V#12600VTC1)
MODEL # : 1709-110HK	SPRUCE CREEK WHITE KING HB	(V#12600VTC1)
MODEL # : 1709-110FK	SPRUCE CREEK WHITE KING FB	(V#12600VTC1)
MODEL # : 1709-105RL	SPRUCE CREEK WHITE QUEEN/ KING SIDE RAILS	(V#12600VTC1)

NOTE: THIS ITEM NOT RECOMMENDED FOR COMMERCIAL USE
KEEP THIS DOCUMENT FOR REFERENCE IN CASE PARTS ARE NEEDED
DO NOT TIGHTEN SCREWS UNTIL COMPLETELY ASSEMBLED! !

STEP 2



STEP 3

