

ASSEMBLY INSTRUCTIONS

MODEL : 1650HFQ DRIFTWOOD QUEEN BED-HB/FB/SLATS &
: 1650RL DRIFTWOOD QUEEN BED-RAILS

DOC. NO : RD-F05-AT
REV. NO : A
REV. DATE : 25.08.2006

REV. : A DATE : 04.01.2016

Component List		
NO.	Descriptions	Qty.
A	Headboard (packed Inside HB/FB/SLATS)	1
B	Headboard Post (packed Inside HB/FB/SLATS)	2
C	Footboard (packed Inside HB/FB/SLATS)	1
D	Side Rails (packed Inside RAILS)	2
E	Slats (packed Inside HB/FB/SLATS)	3
F	Slat Support (packed Inside HB/FB/SLATS)	3

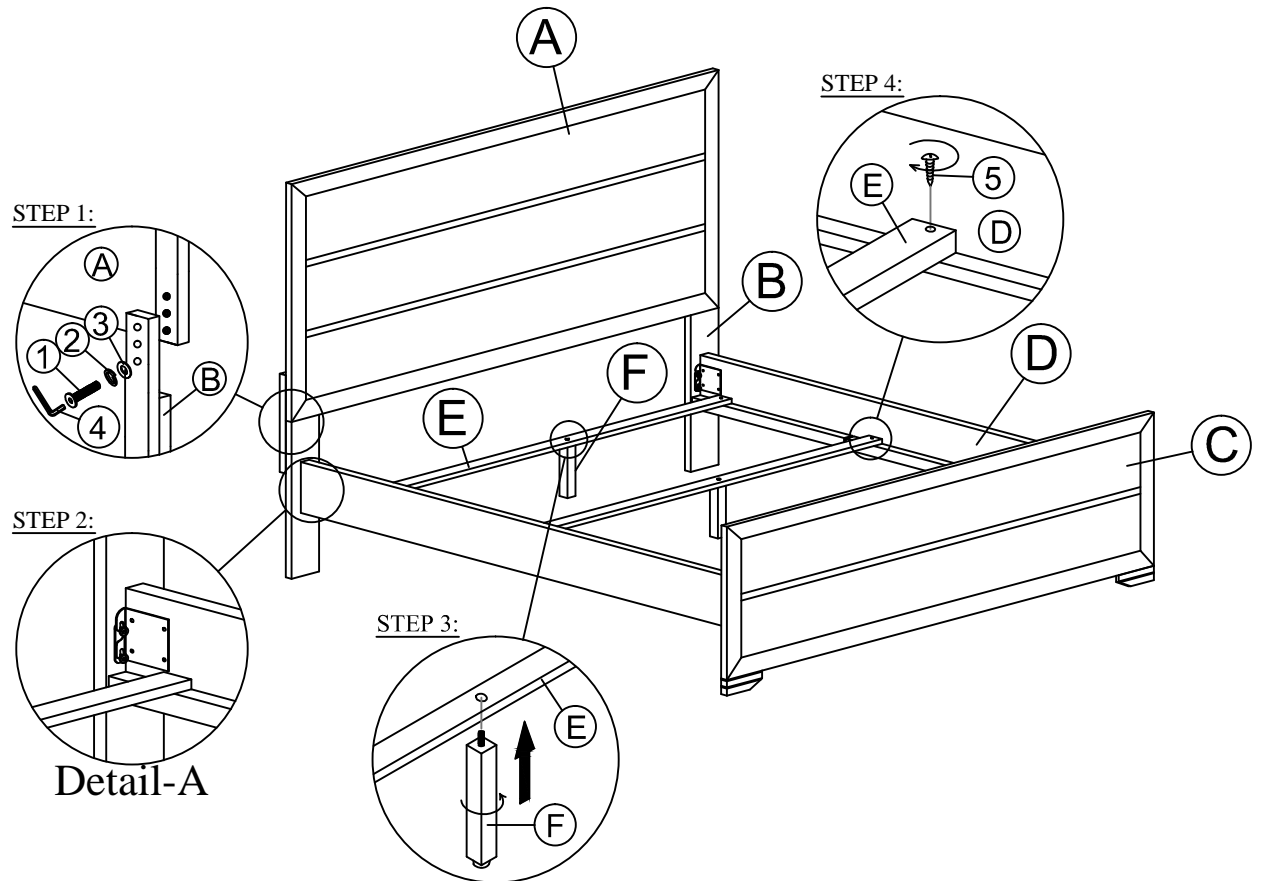
Hardware List			
NO.	Descriptions		Qty.
1	Screw-M6 x 40MM Jcbc Screw Bk		6
2	Washer - Spring Washer M6		6
3	Washer - Flat Washer 1/4" (BLK)		6
4	M4 L Key		1
5	Screw-#8x1 1/4" p/h Rattan Screw (BLK)		6

ASSEMBLY TIPS:

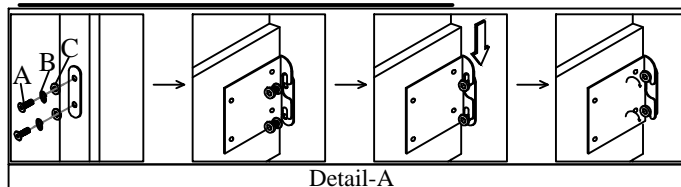
- 1.Remove hardware from box and sort by size.
- 2.Please check to see that all hardware and parts are present prior start of assembly.
- 3.Please follow attached instructions in the same sequence as numbered to assure fast and easy assembly.

Warning!

- 1.Don't attempt to repair or modify parts that are broken or defective.Please contact the store immediately.
- 2.This product is for home use only and not intended for commercial establishments.



COMPLETED ASSEMBLY



Detail-A