



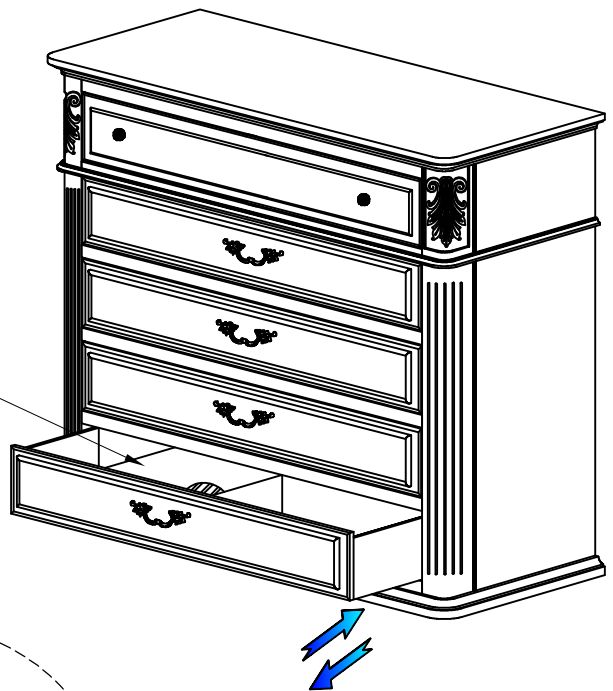
ASSEMBLY INSTRUCTIONS

MODEL # : 1610-150 5 DRAWER CHEST (01/2017) (V#12600VTC1)

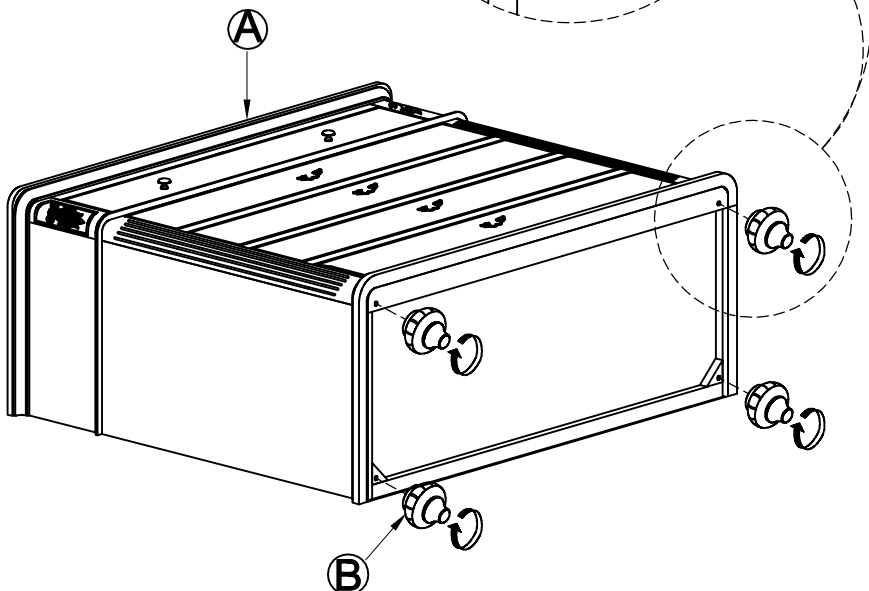
**NOTE: THIS ITEM NOT RECOMMENDED FOR COMMERCIAL USE
KEEP THIS DOCUMENT FOR REFERENCE IN CASE PARTS ARE NEEDED
DO NOT TIGHTEN SCREWS UNTIL COMPLETELY ASSEMBLED! !**

| No | PARTS LIST | | Q'TY |
|----|---|------------------------|------------------------------|
| A |  | 5 DRAWER CHEST SIZE | 38" X 17" X 48-1/16" 1PC |
| B |  | LEG SIZE | 4-1/4" X 4-1/4" X 4" 4PCS |

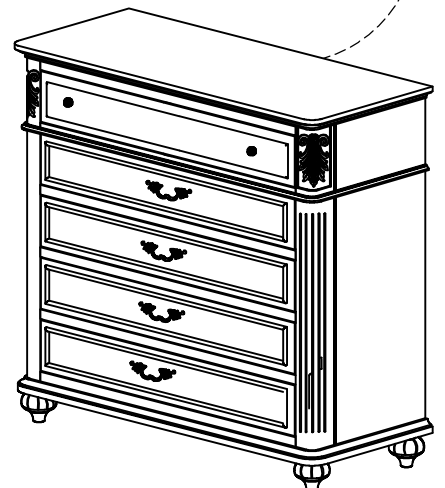
STEP 1



STEP 2



STEP 3



* Remark: there is a tip restraint kit provided on the back of this product. Please read the directions thoroughly and install immediately when placed in home.