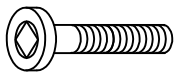
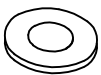
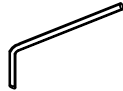


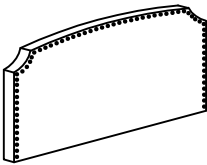
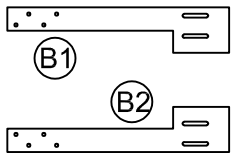
ASSEMBLY INSTRUCTIONS

MODEL : #1504DS-105 (V#12600CFSB1)

**NOTE : THIS ITEM NOT RECOMMENDED FOR COMMERCIAL USE
KEEP THIS DOCUMENT FOR REFERENCE IN CASE PARTS ARE NEEDED**

DO NOT TIGHTEN SCREWS UNTIL COMPLETELY ASSEMBLED !!

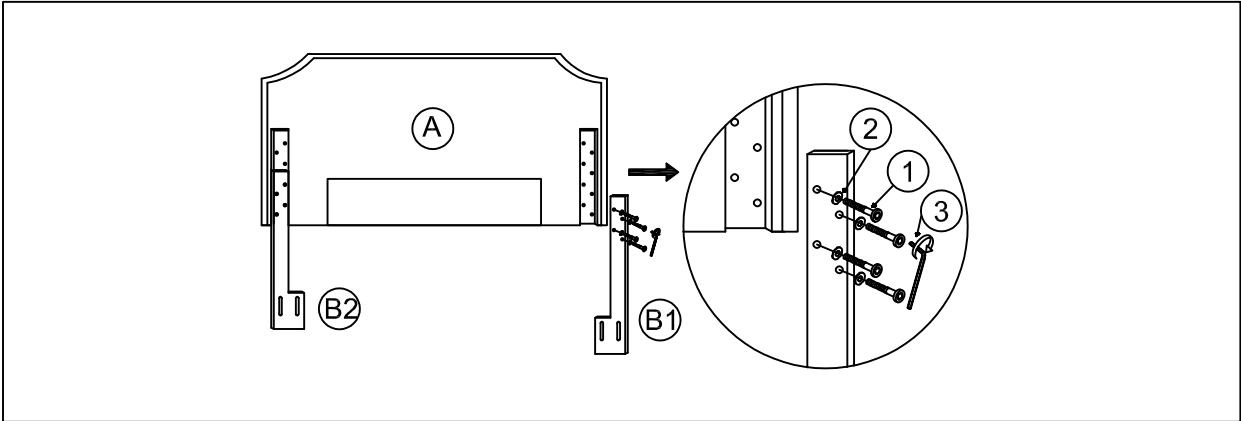
HARDWARE LIST			
NO		DESCRIPTION	QTY
1		BOLT M6X50 mm	8PCS
2		Flat Washer M6	8PCS
3		Wrench M4	1PC

PART LIST			
NO		DESCRIPTION	QTY
A		HEADBOARD	1PC
B		WOODEN LEGS	2PCS

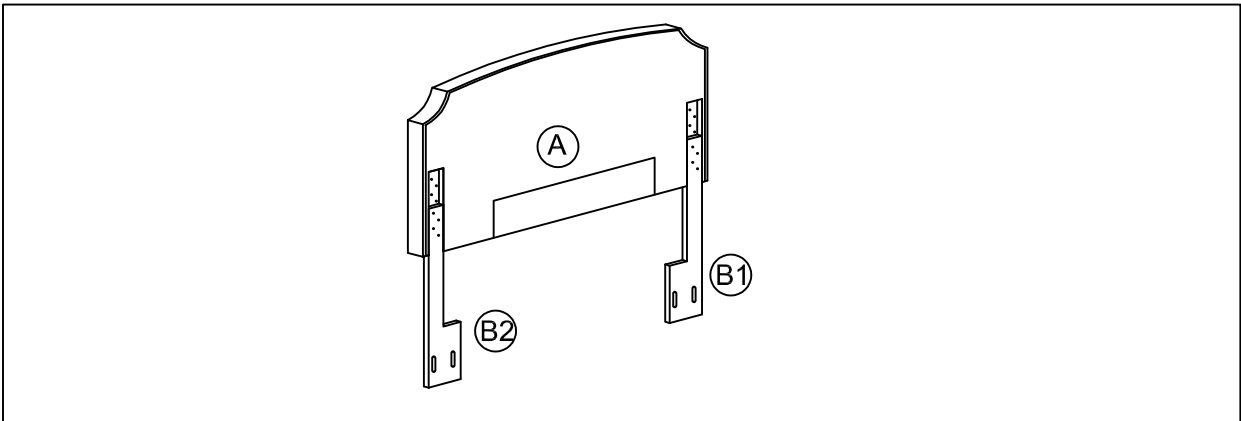
ASSEMBLY INSTRUCTIONS

MODEL : #1504DS-105 (V#12600CFB1)

STEP 1 :



STEP 2 :



STEP 3 :

