




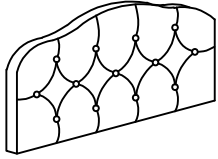
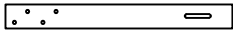
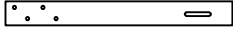
# ASSEMBLY INSTRUCTIONS

MODEL : #1503-103 (V#12600CF SB1)

**NOTE : THIS ITEM NOT RECOMMENDED FOR COMMERCIAL USE  
KEEP THIS DOCUMENT FOR REFERENCE IN CASE PARTS ARE NEEDED**

**DO NOT TIGHTEN SCREWS UNTIL COMPLETELY ASSEMBLED !!**

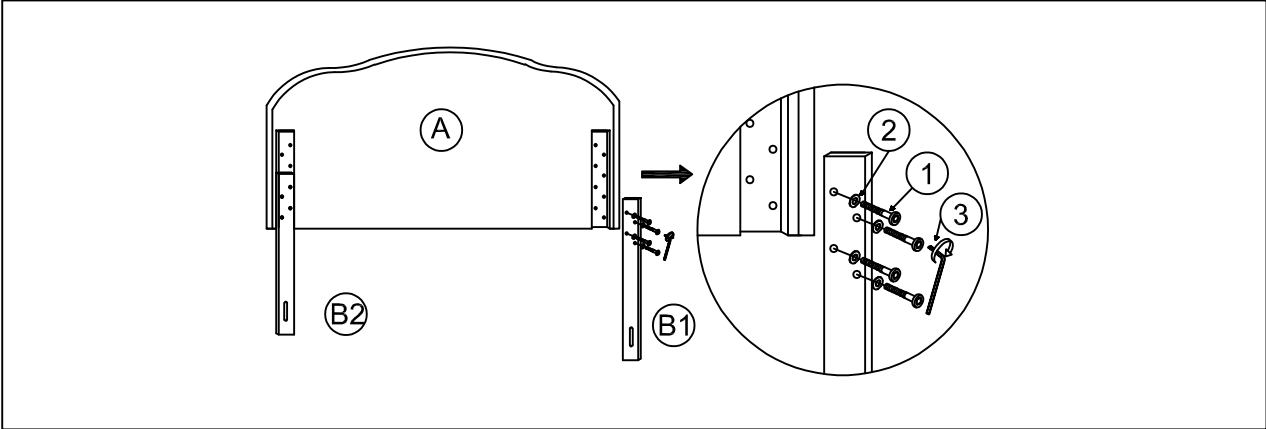
HARDWARE LIST				
NO		DESCRIPTION		QTY
1		BOLT	M6X50 mm	8PCS
2		Flat Washer	M6	8PCS
3		Wrench	M4	1PC

PART LIST			
NO		DESCRIPTION	QTY
A		HEADBOARD	1PC
B	 <span style="display: inline-block; border: 1px solid black; border-radius: 50%; padding: 2px;">B1</span>  <span style="display: inline-block; border: 1px solid black; border-radius: 50%; padding: 2px;">B2</span>	WOODEN LEGS	2PCS

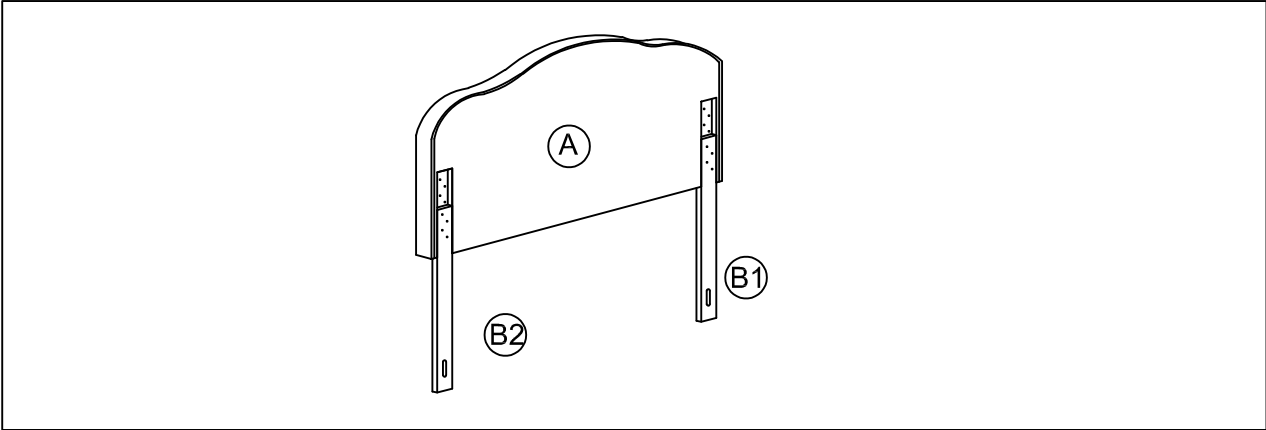
# ASSEMBLY INSTRUCTIONS

MODEL : #1503-103 (V#12600CF SB1)

STEP 1 :



STEP 2 :



STEP 3 :

