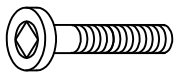
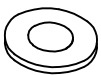
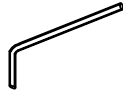


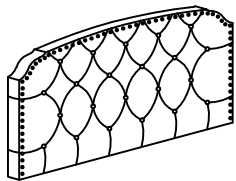
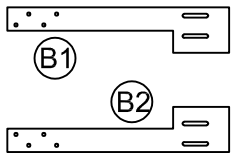
# ASSEMBLY INSTRUCTIONS

MODEL : #1502DS-110 (V#12600CF SB1)

**NOTE : THIS ITEM NOT RECOMMENDED FOR COMMERCIAL USE  
KEEP THIS DOCUMENT FOR REFERENCE IN CASE PARTS ARE NEEDED**

**DO NOT TIGHTEN SCREWS UNTIL COMPLETELY ASSEMBLED !!**

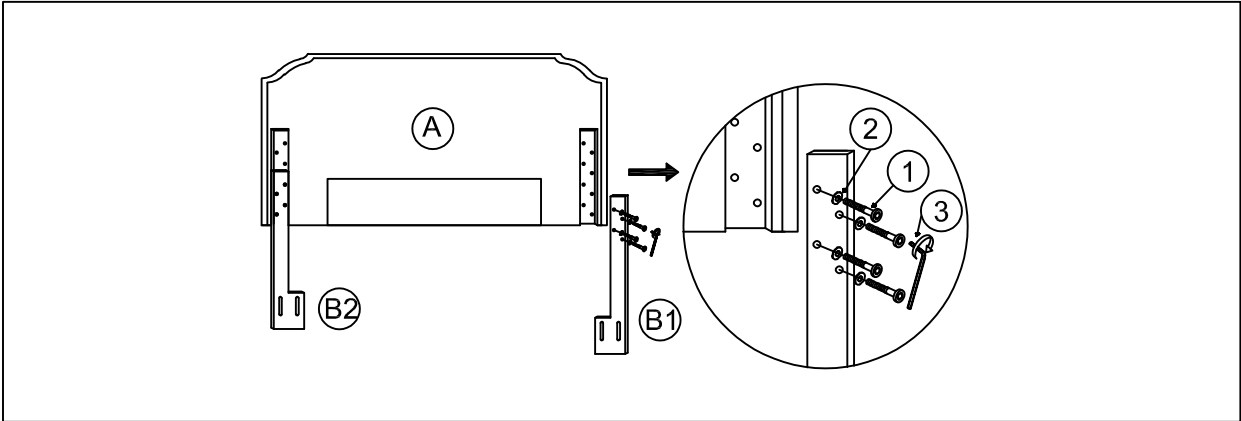
HARDWARE LIST			
NO		DESCRIPTION	QTY
1		BOLT M6X50 mm	8PCS
2		Flat Washer M6	8PCS
3		Wrench M4	1PC

PART LIST			
NO		DESCRIPTION	QTY
A		HEADBOARD	1PC
B		WOODEN LEGS	2PCS

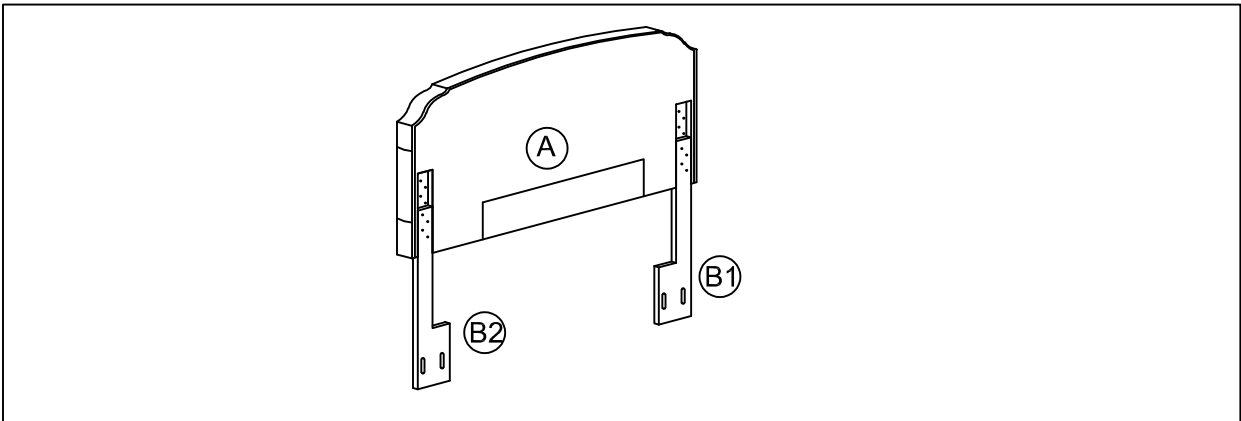
# ASSEMBLY INSTRUCTIONS

MODEL : #1502DS-110 (V#12600CFB1)

STEP 1 :



STEP 2 :



STEP 3 :

