

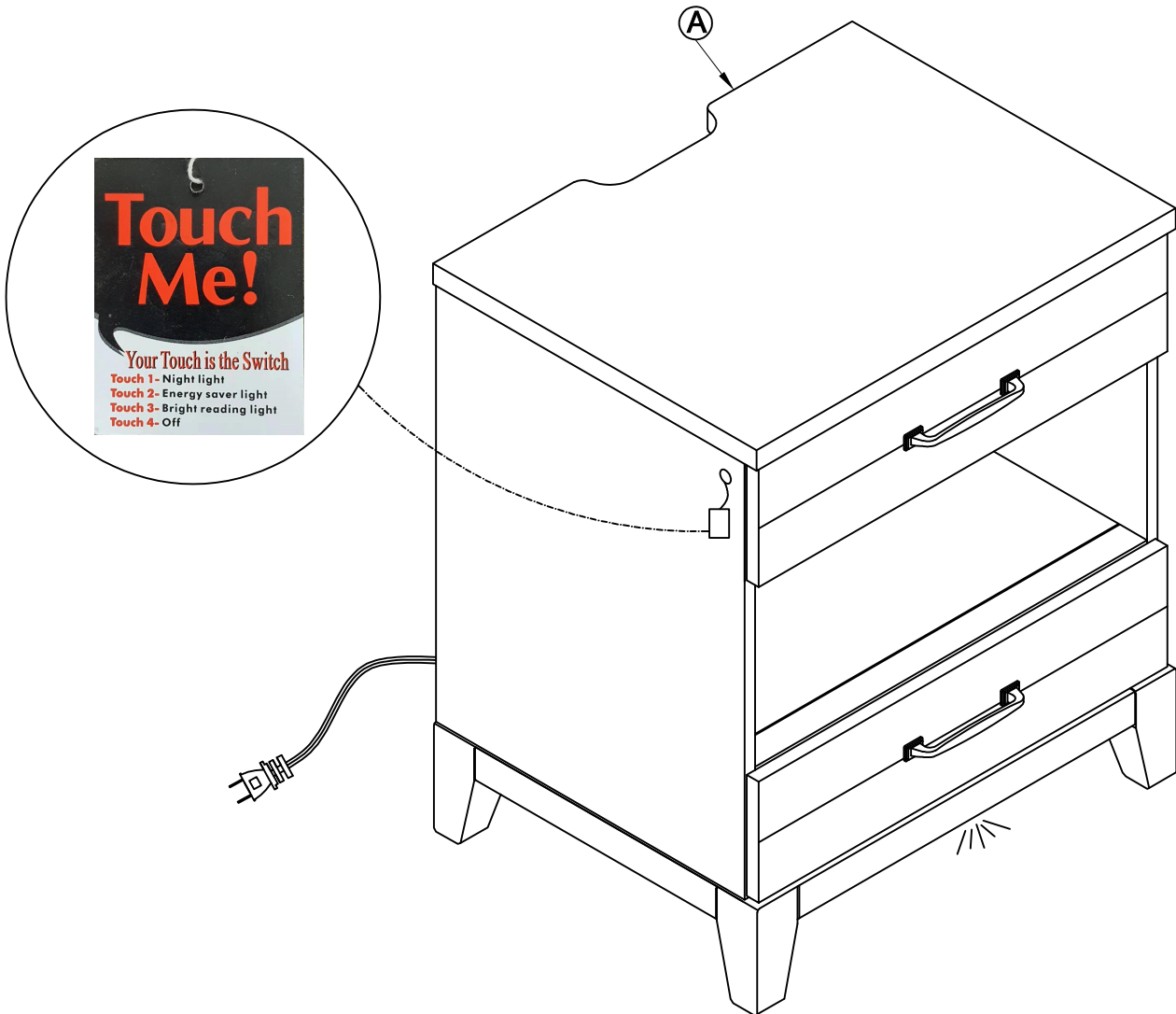
ASSEMBLY INSTRUCTIONS

MODEL # : 1288-120 MODERN NIGHTSTAND (V#12600VTC1)

**NOTE: THIS ITEM NOT RECOMMENDED FOR COMMERCIAL USE
KEEP THIS DOCUMENT FOR REFERENCE IN CASE PARTS ARE NEEDED
DO NOT TIGHTEN SCREWS UNTIL COMPLETELY ASSEMBLED! !**

No	PARTS LIST		Q'TY
A		NIGHTSTAND	1PC

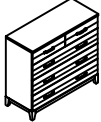
STEP 1



ASSEMBLY INSTRUCTIONS

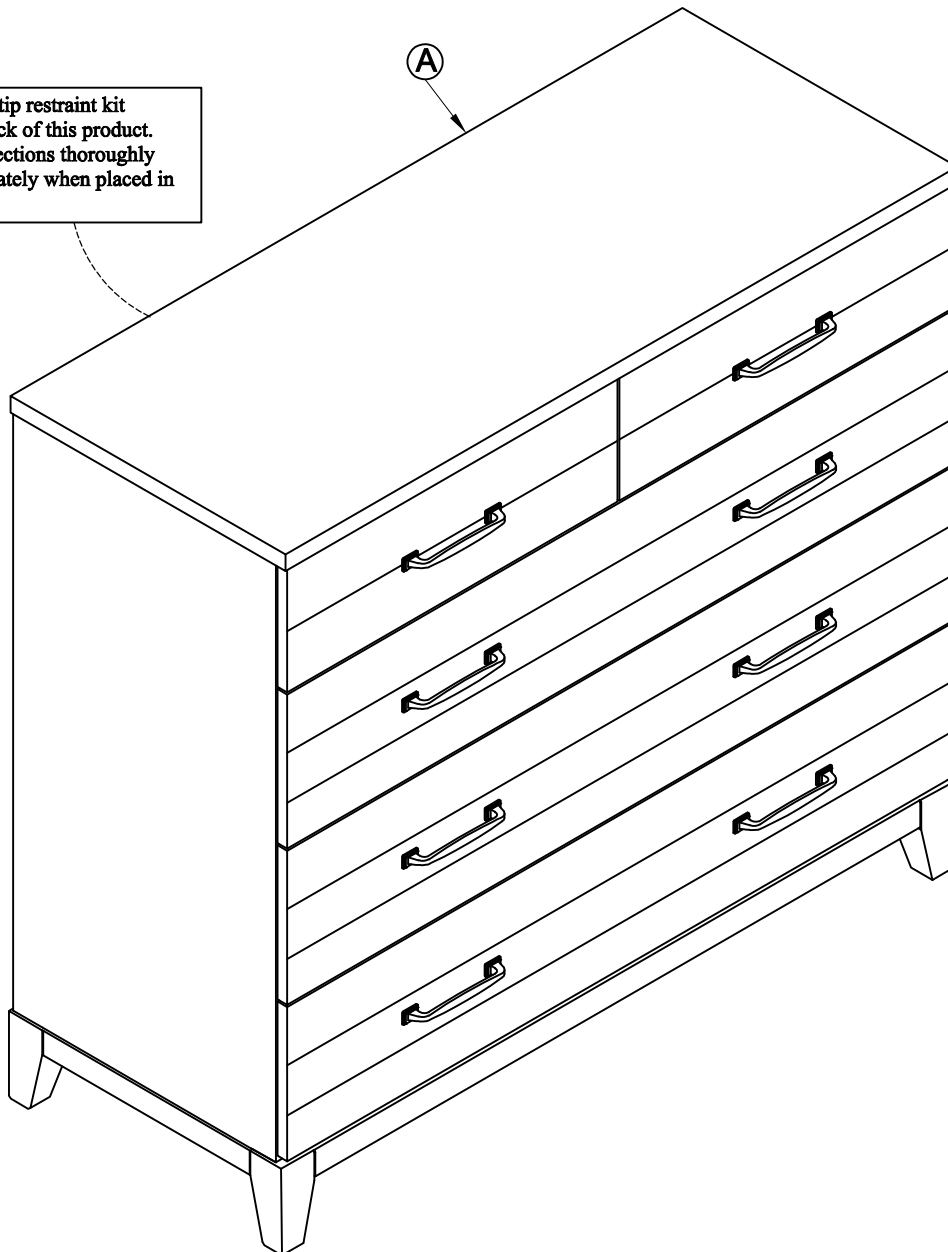
MODEL # : 1288-130 MODERN BUREAU (V#12600VTC1)

**NOTE: THIS ITEM NOT RECOMMENDED FOR COMMERCIAL USE
KEEP THIS DOCUMENT FOR REFERENCE IN CASE PARTS ARE NEEDED
DO NOT TIGHTEN SCREWS UNTIL COMPLETELY ASSEMBLED! !**

No	PARTS LIST		Q'TY
A		BUREAU	1PC

STEP 1

★ Remark: there is a tip restraint kit provided on the back of this product. Please read the directions thoroughly and install immediately when placed in home.



ASSEMBLY INSTRUCTIONS

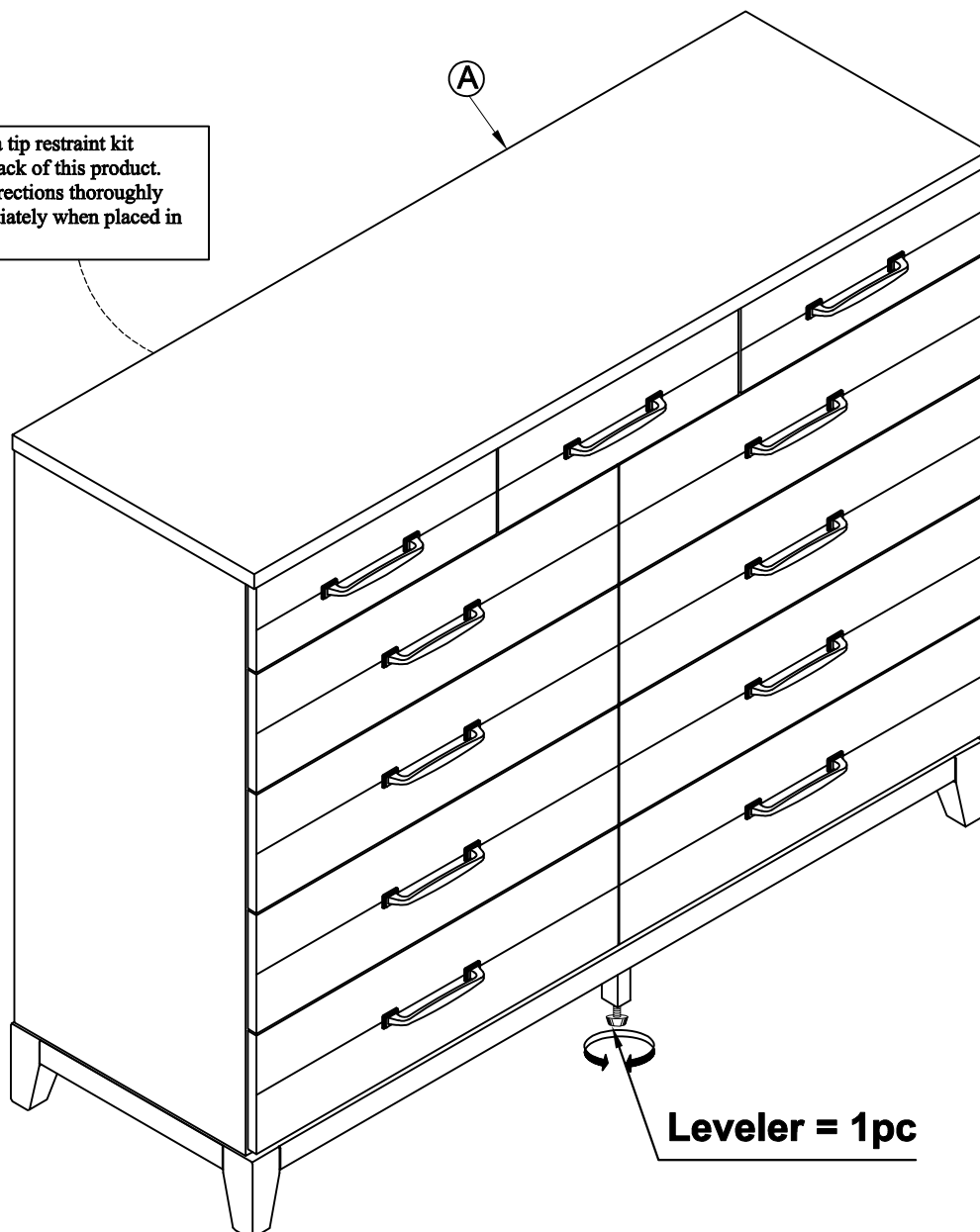
MODEL # : 1288-131 MODERN DRESSER (V#12600VTC1)

**NOTE: THIS ITEM NOT RECOMMENDED FOR COMMERCIAL USE
KEEP THIS DOCUMENT FOR REFERENCE IN CASE PARTS ARE NEEDED
DO NOT TIGHTEN SCREWS UNTIL COMPLETELY ASSEMBLED! !**

No		PARTS LIST	Q'TY
A		DRESSER	1PC

STEP 1

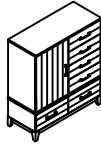
★ Remark: there is a tip restraint kit provided on the back of this product. Please read the directions thoroughly and install Immediately when placed in home.



ASSEMBLY INSTRUCTIONS

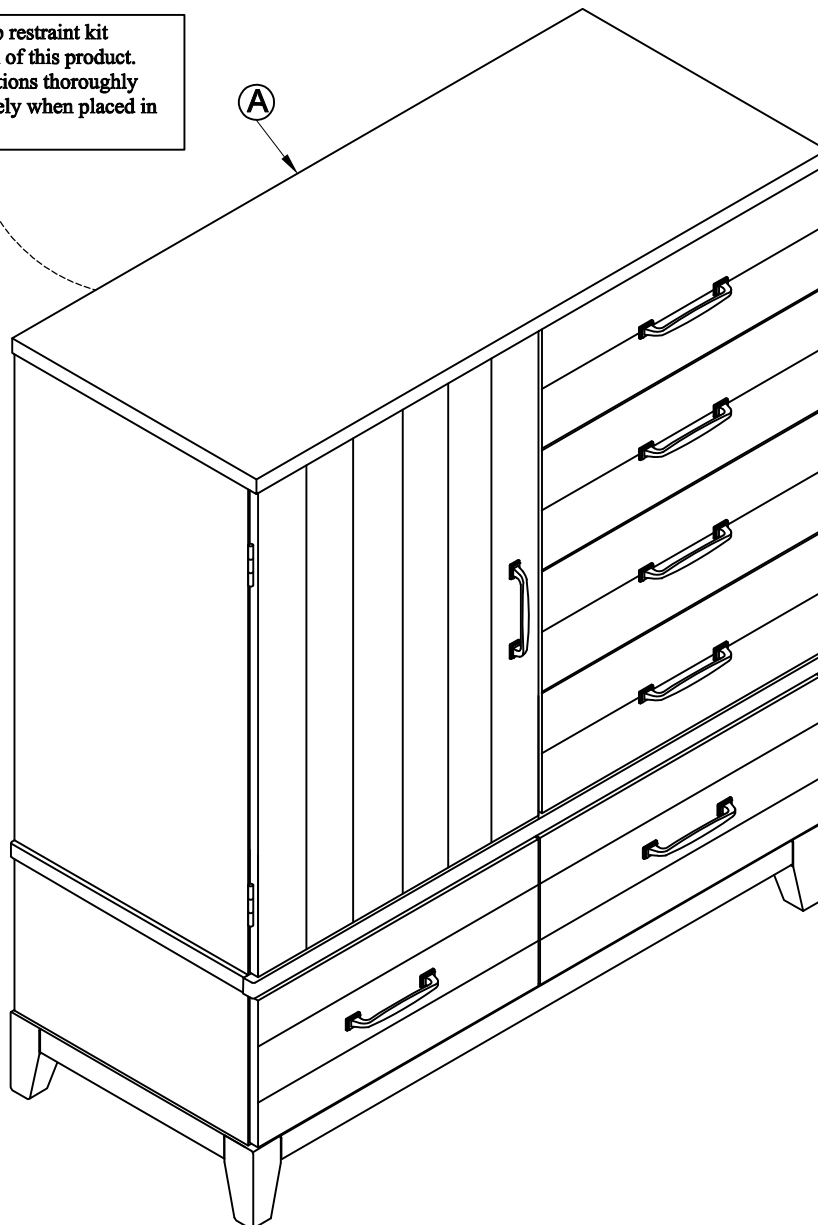
MODEL # : 1288-150 MODERN DOOR CHEST (V#12600VTC1)

**NOTE: THIS ITEM NOT RECOMMENDED FOR COMMERCIAL USE
KEEP THIS DOCUMENT FOR REFERENCE IN CASE PARTS ARE NEEDED
DO NOT TIGHTEN SCREWS UNTIL COMPLETELY ASSEMBLED! !**

No	PARTS LIST		Q'TY
A		DOOR CHEST	1PC

STEP 1



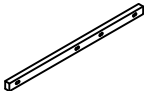
★ Remark: there is a tip restraint kit provided on the back of this product. Please read the directions thoroughly and install immediately when placed in home.






ASSEMBLY INSTRUCTIONS

MODEL # : 1288-140 MODERN SMALL MIRROR (V#12600VTC1)

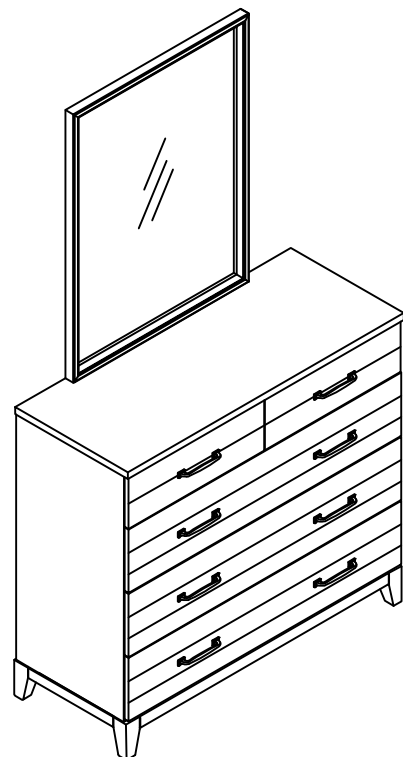
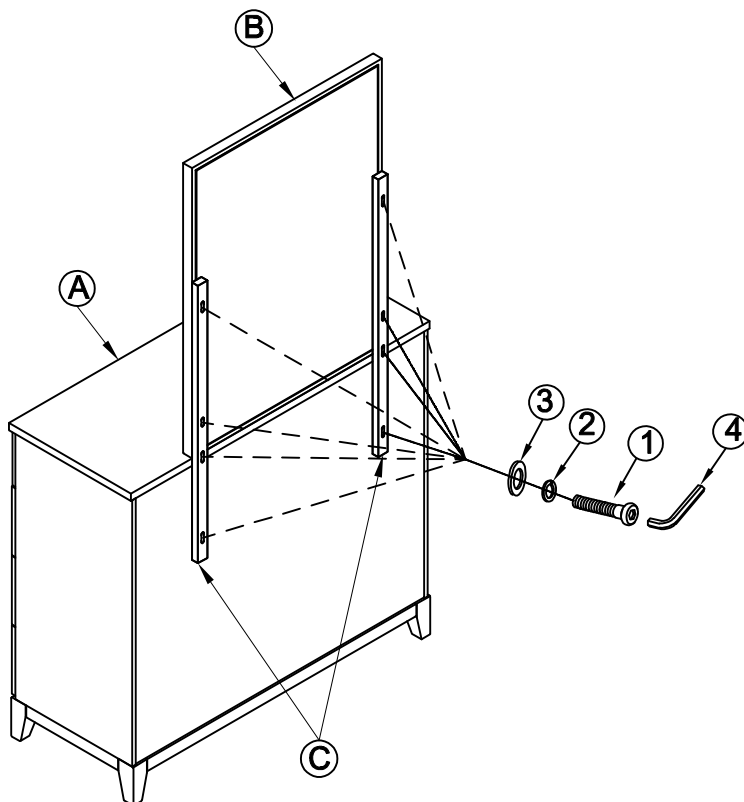
**NOTE: THIS ITEM NOT RECOMMENDED FOR COMMERCIAL USE
KEEP THIS DOCUMENT FOR REFERENCE IN CASE PARTS ARE NEEDED
DO NOT TIGHTEN SCREWS UNTIL COMPLETELY ASSEMBLED! !**

No	PARTS LIST		Q'TY
A		BUREAU	1PC
B		MIRROR	1PC
C		MIRROR SUPPORT IN MIRROR BOX	2PCS

NO.	HARDWARE LIST		Q'TY
1		ALLEN BOLT Ø1/4"x1-3/4"	8PCS
2		LOCK WASHER Ø1/4" x 10D x 1.1mm	8PCS
3		FLAT WASHER Ø1/4" x 18D x 2mm	8PCS
4		ALLEN KEY 4mm	1PC

STEP 1



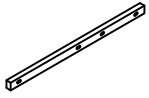
STEP 2





ASSEMBLY INSTRUCTIONS

MODEL # :1288-141 MODERN LARGE MIRROR (V#12600VTC1)

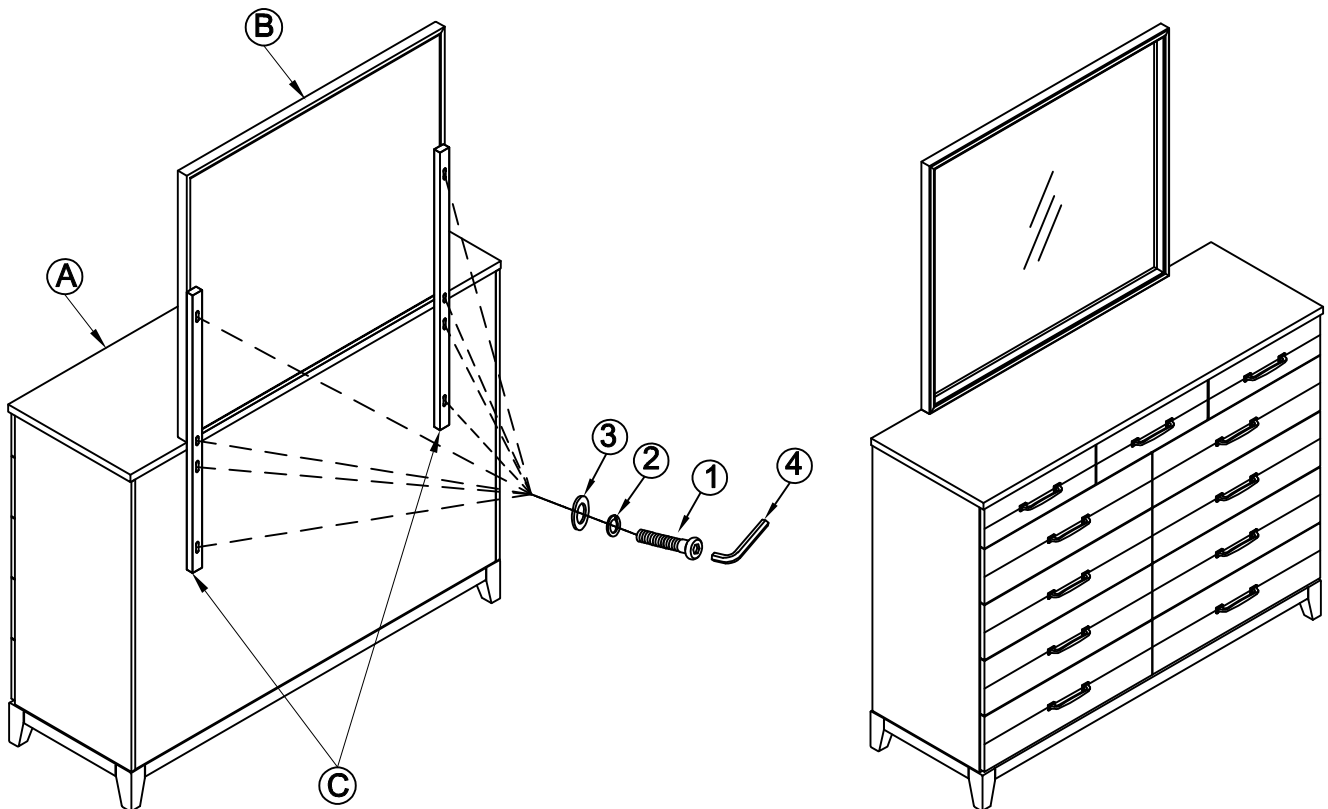
**NOTE: THIS ITEM NOT RECOMMENDED FOR COMMERCIAL USE
KEEP THIS DOCUMENT FOR REFERENCE IN CASE PARTS ARE NEEDED
DO NOT TIGHTEN SCREWS UNTIL COMPLETELY ASSEMBLED! !**

No	PARTS LIST		Q'TY
A		DRESSER	1PC
B		MIRROR	1PC
C		MIRROR SUPPORT IN MIRROR BOX	2PCS

NO.	HARDWARE LIST		Q'TY
1		ALLEN BOLT	8PCS
2		LOCK WASHER	8PCS
3		FLAT WASHER	8PCS
4		ALLEN KEY	1PC

STEP 1







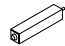
STEP 2










ASSEMBLY INSTRUCTIONS

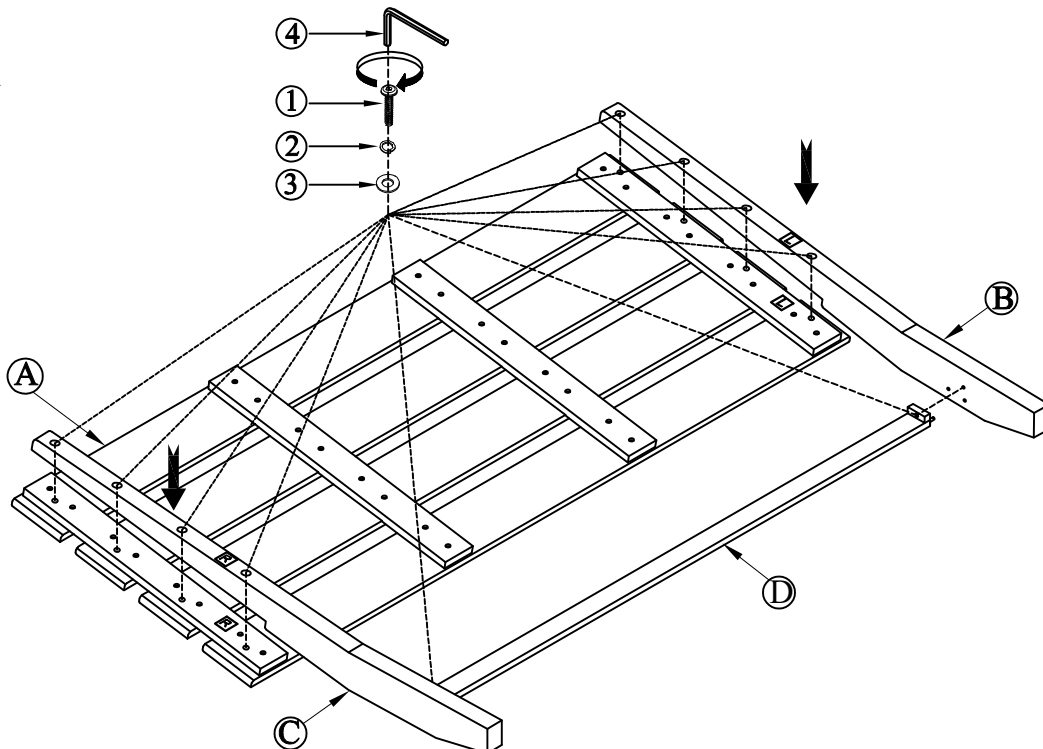
MODEL # : 1288-105HQ MODERN QUEEN OPEN SLAT PANEL HB (V#12600VTC1)
MODEL # : 1288-106FQ MODERN QUEEN PANEL FB AND SLATS (V#12600VTC1)
MODEL # : 1288-105RL MODERN QUEEN/KING SIDE RAILS (V#12600VTC1)

NOTE: THIS ITEM NOT RECOMMENDED FOR COMMERCIAL USE
KEEP THIS DOCUMENT FOR REFERENCE IN CASE PARTS ARE NEEDED
DO NOT TIGHTEN SCREWS UNTIL COMPLETELY ASSEMBLED! !

No	PARTS LIST		Q'TY
A		HEADBOARD	1PC
B		LEFT LEG	1PC
C		RIGHT LEG	1PC
D		HEADBOARD BOTTOM RAIL	1PC
E		FOOTBOARD	1PC
F		SIDE RAIL	2PCS
G		SLATS	4PCS
H		SUPPORT WITH LEVELER	4PCS

No	HARDWARE LIST		Q'TY	
1		BOLT	Ø5/16" x 1-3/4"	10PCS
2		LOCK WASHER	Ø5/16" x 10D x 1.1mm	10PCS
3		FLAT WASHER	Ø5/16" x 18D x 2mm	10PCS
4		WRENCH	4mm	1PC
5		THREAD BOLT	Ø5/16" x 90mm	8PCS
6		CURVED WASHERS	Ø5/16" DIA	8PCS
7		HEX NUT	Ø5/16" DIA	8PCS
8		OPEN WRENCH	12mm	1PC
9		SCREW	#4 x 1-1/4"	8PCS

STEP 1

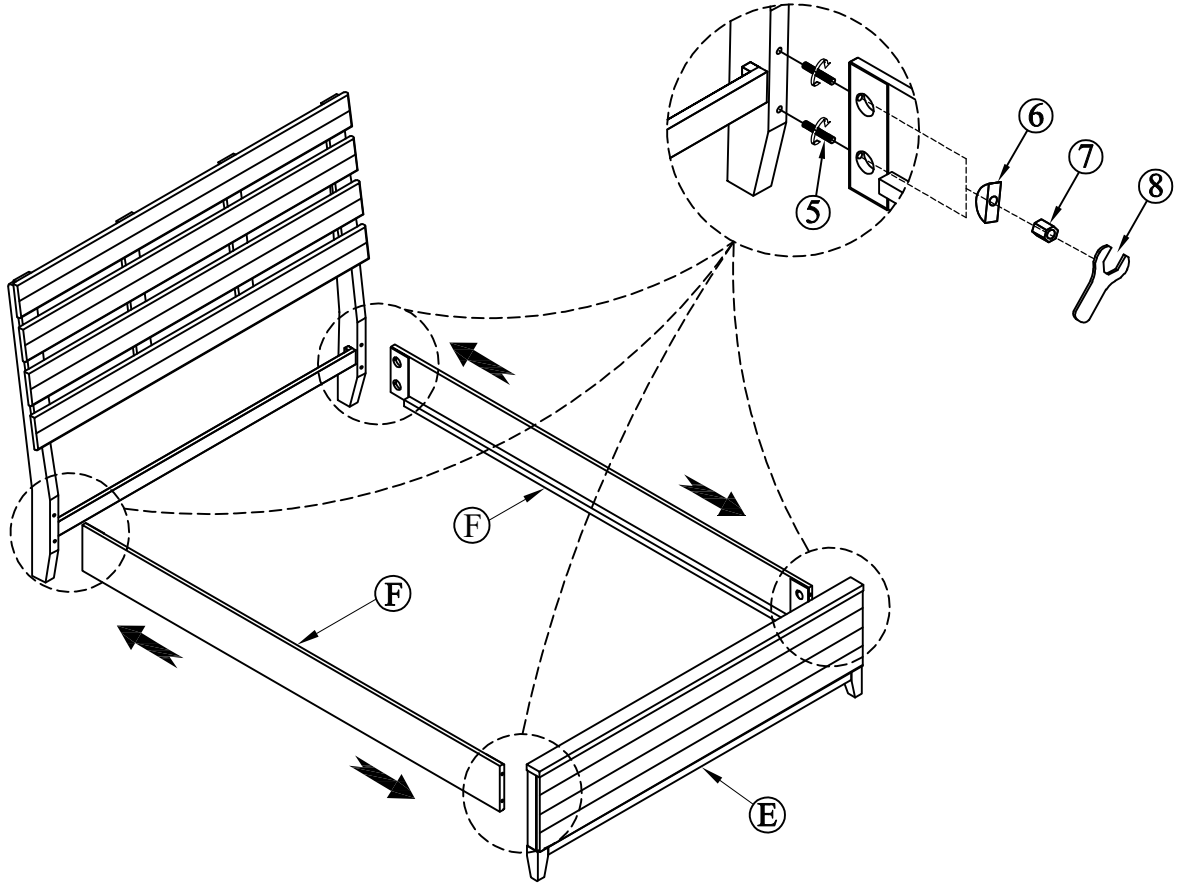


ASSEMBLY INSTRUCTIONS

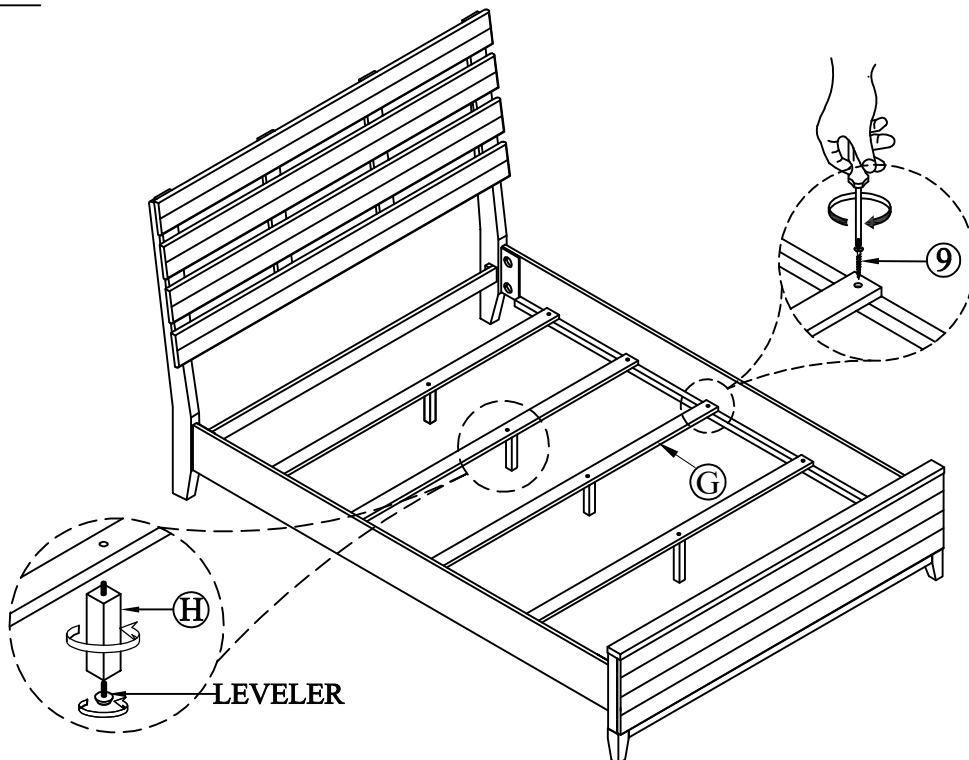
MODEL # : 1288-105HQ MODERN QUEEN OPEN SLAT PANEL HB (V#12600VTC1)
MODEL # : 1288-106FQ MODERN QUEEN PANEL FB AND SLATS (V#12600VTC1)
MODEL # : 1288-105RL MODERN QUEEN/KING SIDE RAILS (V#12600VTC1)

NOTE: THIS ITEM NOT RECOMMENDED FOR COMMERCIAL USE
KEEP THIS DOCUMENT FOR REFERENCE IN CASE PARTS ARE NEEDED
DO NOT TIGHTEN SCREWS UNTIL COMPLETELY ASSEMBLED! !

STEP 2



STEP 3







ASSEMBLY INSTRUCTIONS

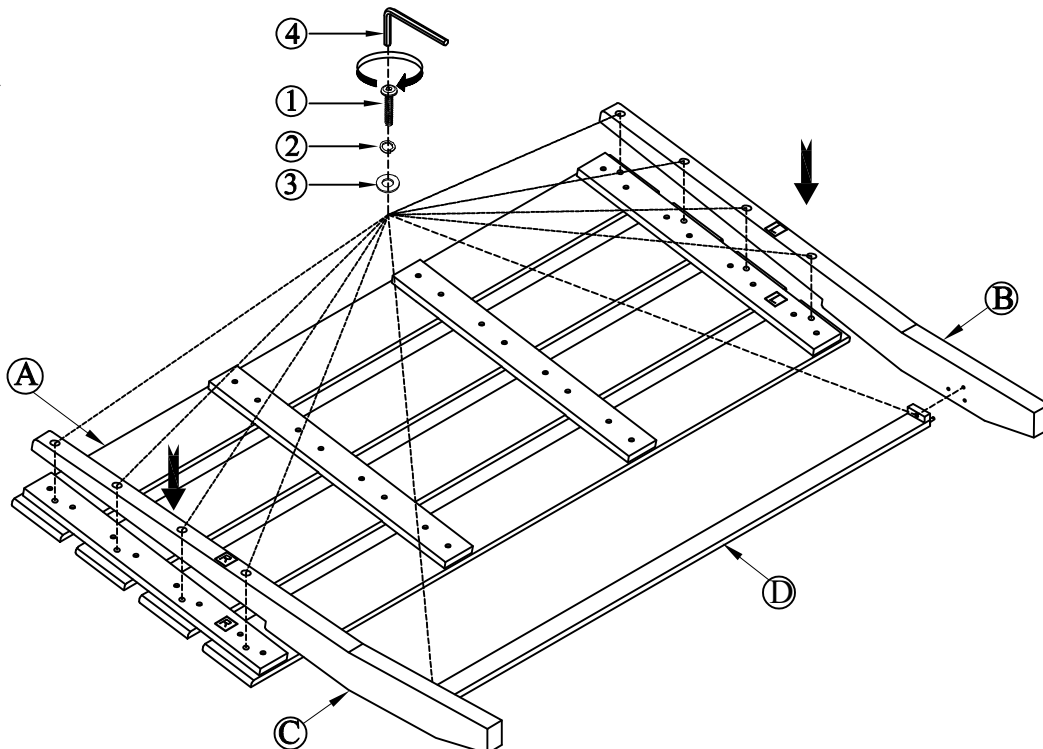
MODEL # : 1288-110HK MODERN KING OPEN SLAT PANEL HB (V#12600VTC1)
MODEL # : 1288-111FK MODERN KING PANEL FB AND SLATS (V#12600VTC1)
MODEL # : 1288-105RL MODERN QUEEN/KING SIDE RAILS (V#12600VTC1)

NOTE: THIS ITEM NOT RECOMMENDED FOR COMMERCIAL USE
KEEP THIS DOCUMENT FOR REFERENCE IN CASE PARTS ARE NEEDED
DO NOT TIGHTEN SCREWS UNTIL COMPLETELY ASSEMBLED! !

No	PARTS LIST		Q'TY
A		HEADBOARD	1PC
B		LEFT LEG	1PC
C		RIGHT LEG	1PC
D		HEADBOARD BOTTOM RAIL	1PC
E		FOOTBOARD	1PC
F		SIDE RAIL	2PCS
G		SLATS	4PCS
H		SUPPORT WITH LEVELER	8PCS

No	HARDWARE LIST		Q'TY	
1		BOLT	Ø5/16" x 1-3/4"	10PCS
2		LOCK WASHER	Ø5/16" x 10D x 1.1mm	10PCS
3		FLAT WASHER	Ø5/16" x 18D x 2mm	10PCS
4		WRENCH	4mm	1PC
5		THREAD BOLT	Ø5/16" x 90mm	8PCS
6		CURVED WASHERS	Ø5/16" DIA	8PCS
7		HEX NUT	Ø5/16" DIA	8PCS
8		OPEN WRENCH	12mm	1PC
9		SCREW	#4 x1-1/4"	8PCS

STEP 1

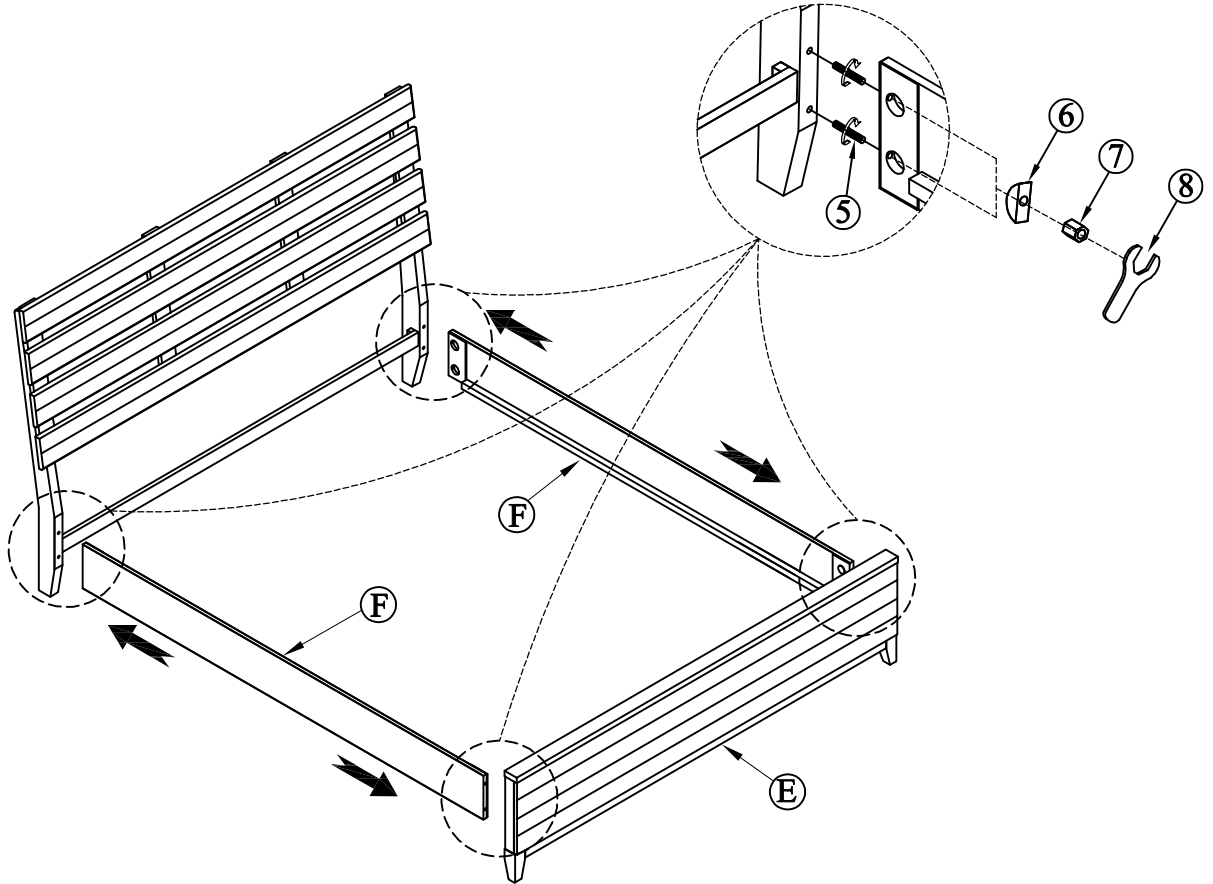


ASSEMBLY INSTRUCTIONS

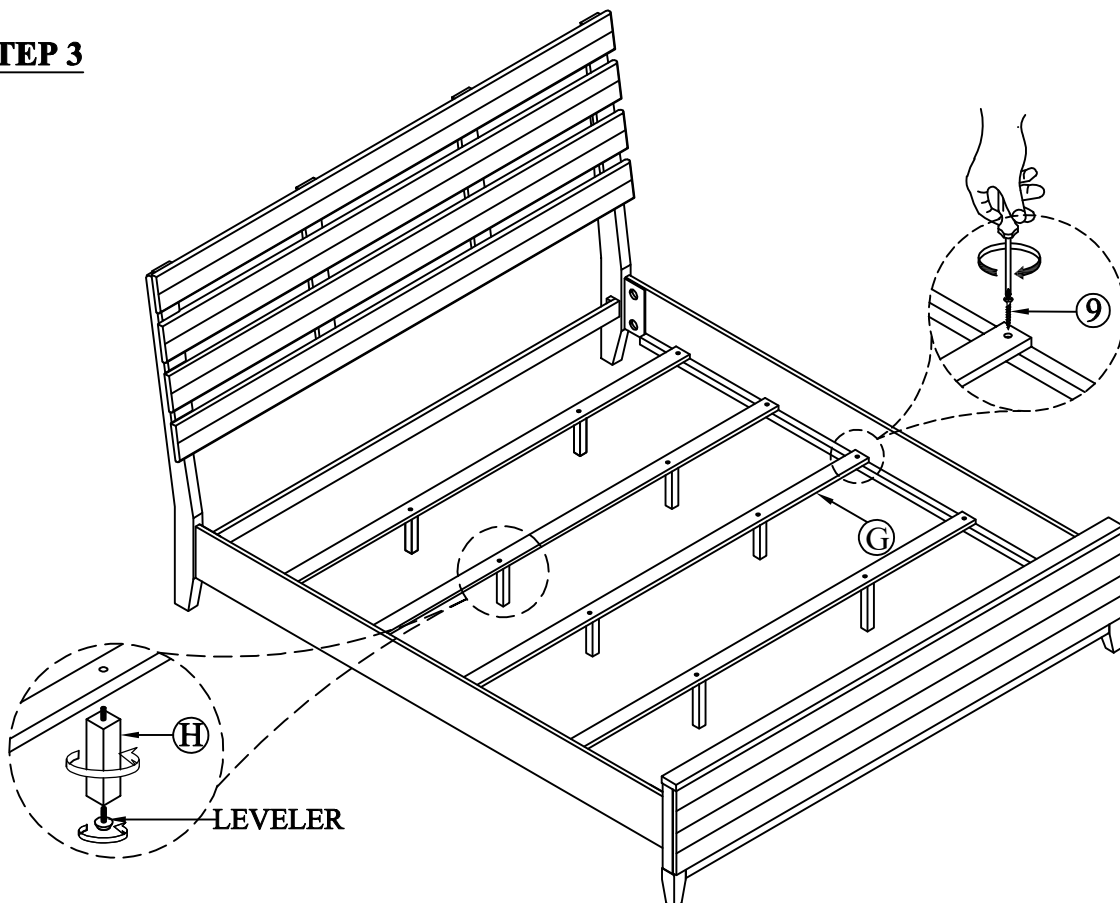
MODEL # : 1288-110HK MODERN KING OPEN SLAT PANEL HB (V#12600VTC1)
MODEL # : 1288-111FK MODERN KING PANEL FB AND SLATS (V#12600VTC1)
MODEL # : 1288-105RL MODERN QUEEN/KING SIDE RAILS (V#12600VTC1)

NOTE: THIS ITEM NOT RECOMMENDED FOR COMMERCIAL USE
KEEP THIS DOCUMENT FOR REFERENCE IN CASE PARTS ARE NEEDED
DO NOT TIGHTEN SCREWS UNTIL COMPLETELY ASSEMBLED! !

STEP 2



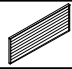



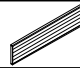

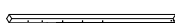


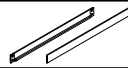

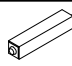
STEP 3











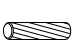


ASSEMBLY INSTRUCTIONS

MODEL # : 1288-108HFQ MODERN QUEEN CANOPY HB,FB AND SLATS (V#12600VTC1)
MODEL # : 1288-108CAN MODERN QUEEN CANOPY FRAME (V#12600VTC1)
MODEL # : 1288-105RL MODERN QUEEN/KING SIDE RAILS (V#12600VTC1)

NOTE: THIS ITEM NOT RECOMMENDED FOR COMMERCIAL USE
KEEP THIS DOCUMENT FOR REFERENCE IN CASE PARTS ARE NEEDED
DO NOT TIGHTEN SCREWS UNTIL COMPLETELY ASSEMBLED! !

No	PARTS LIST		Q'TY
A		HEADBOARD	1PC
B		LEFT CANOPY COLUMN OF HEADBOARD	1PC
C		RIGHT CANOPY COLUMN OF HEADBOARD	1PC
D		HEADBOARD BOTTOM RAIL	1PC
E		FOOTBOARD	1PC
F		LEFT CANOPY COLUMN OF FOOTBOARD	1PC
G		RIGHT CANOPY COLUMN OF FOOTBOARD	1PC
H		SHORT CANOPY STRETCHER	2PCS
I		LONG CANOPY STRETCHER	2PCS
K		SIDE RAIL	2PCS
L		SLATS	4PCS
M		SUPPORT WITH LEVELER	4PCS

No	HARDWARE LIST		Q'TY	
1		BOLT	Ø5/16" x 2-3/4"	12PCS
2		BOLT	Ø5/16" x 1-1/2"	2PCS
3		LOCK WASHER	Ø5/16" x 10D x 1.1mm	14PCS
4		FLAT WASHER	Ø5/16" x 18D x 2mm	14PCS
5		WRENCH	4 mm	1PC
6		THREAD BOLT	Ø5/16" x 90mm	16PCS
7		CURVED WASHERS	Ø5/16" DIA	16PCS
8		HEX NUT	Ø5/16" DIA	16PCS
9		OPEN WRENCH	12mm	1PC
10		SCREW	#4 x 1-1/4"	8PCS
11		WOOD DOWELS	Ø10 x 40mm	16PCS

ASSEMBLY INSTRUCTIONS

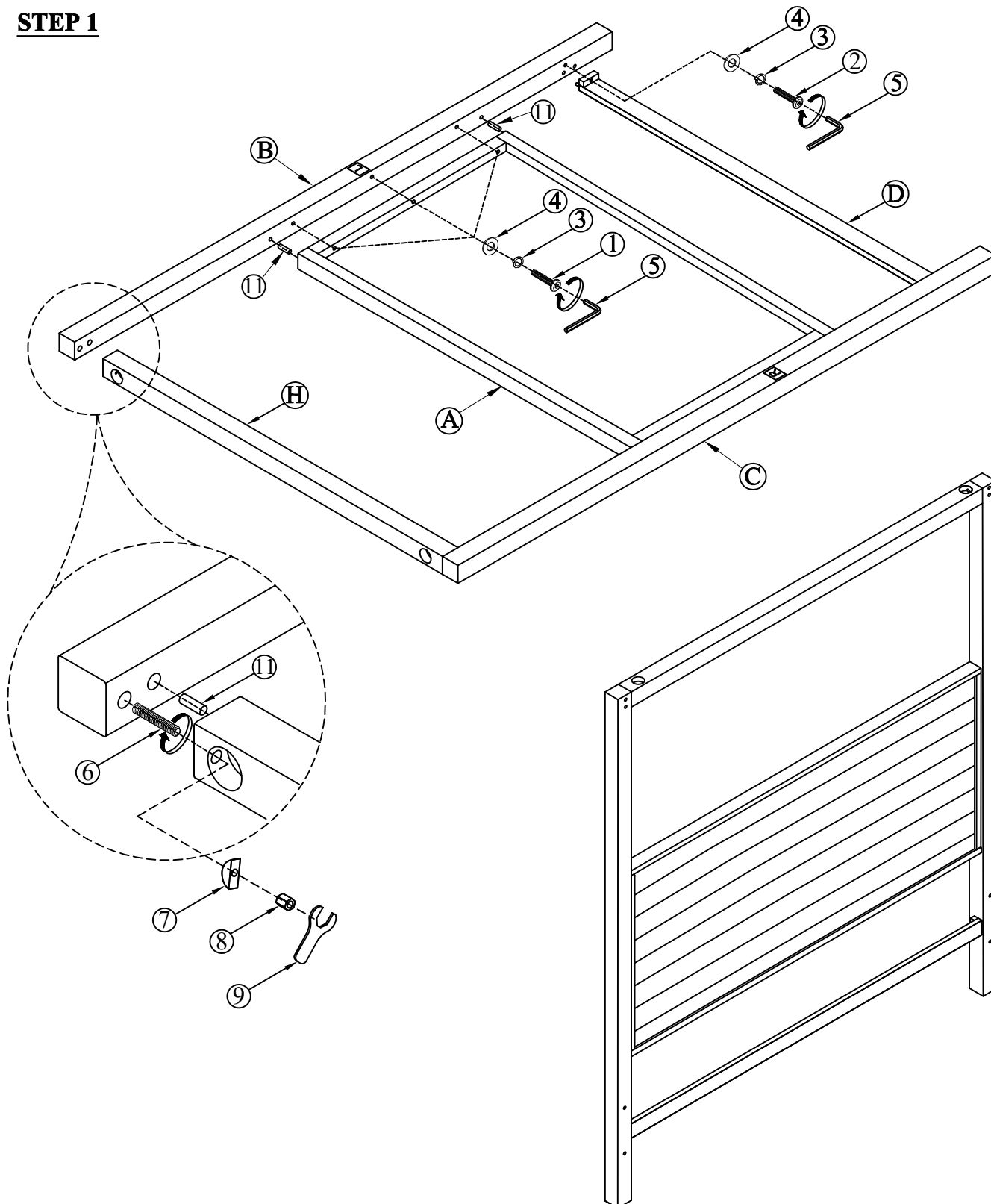
MODEL # : 1288-108HFQ MODERN QUEEN CANOPY HB,FB AND SLATS (V#12600VTC1)

MODEL # : 1288-108CAN MODERN QUEEN CANOPY FRAME (V#12600VTC1)

MODEL # : 1288-105RL MODERN QUEEN/KING SIDE RAILS (V#12600VTC1)

NOTE: THIS ITEM NOT RECOMMENDED FOR COMMERCIAL USE
KEEP THIS DOCUMENT FOR REFERENCE IN CASE PARTS ARE NEEDED
DO NOT TIGHTEN SCREWS UNTIL COMPLETELY ASSEMBLED! !

STEP 1



ASSEMBLY INSTRUCTIONS

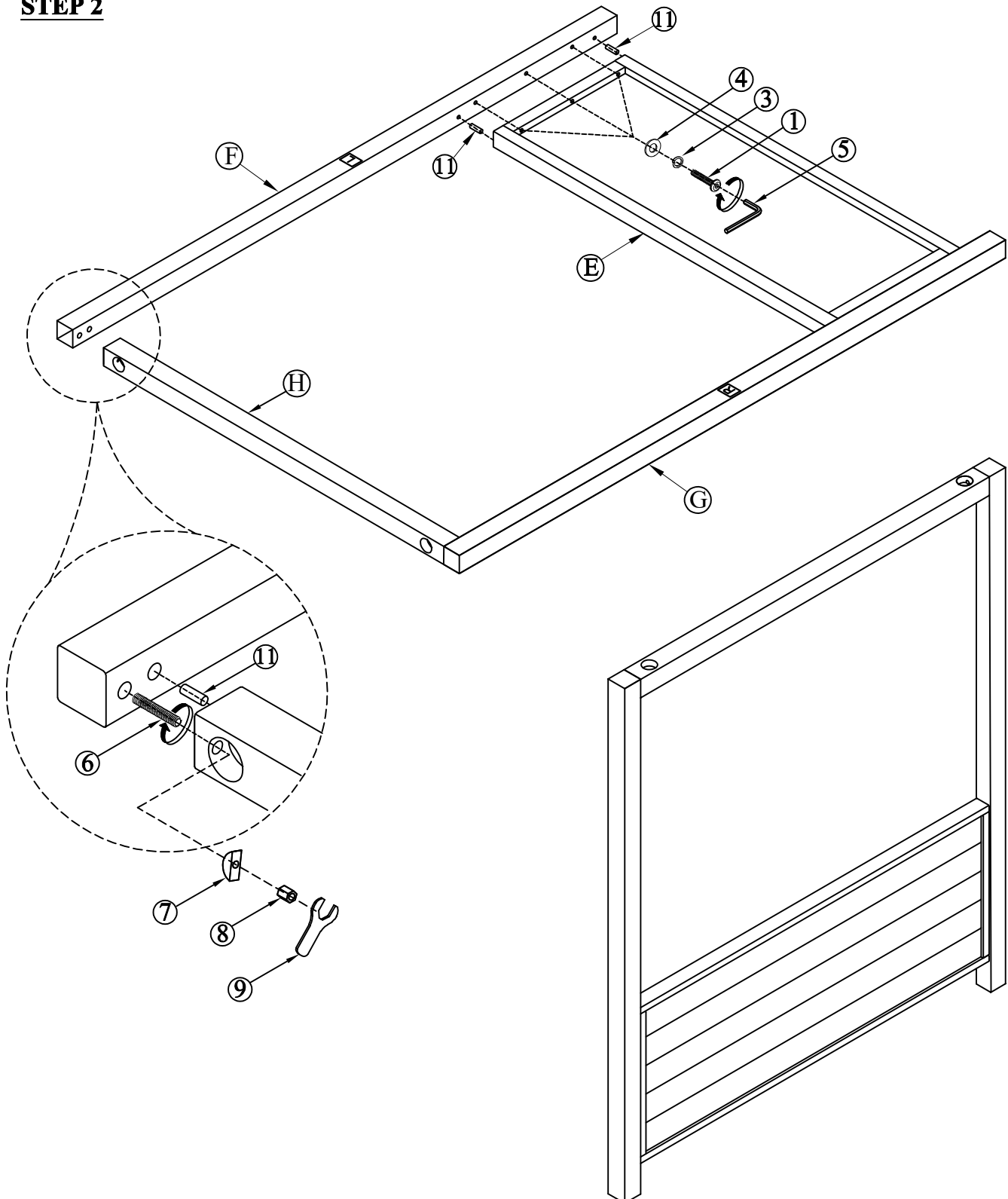
MODEL # : 1288-108HFQ MODERN QUEEN CANOPY HB,FB AND SLATS (V#12600VTC1)

MODEL # : 1288-108CAN MODERN QUEEN CANOPY FRAME (V#12600VTC1)

MODEL # : 1288-105RL MODERN QUEEN/KING SIDE RAILS (V#12600VTC1)

NOTE: THIS ITEM NOT RECOMMENDED FOR COMMERCIAL USE
KEEP THIS DOCUMENT FOR REFERENCE IN CASE PARTS ARE NEEDED
DO NOT TIGHTEN SCREWS UNTIL COMPLETELY ASSEMBLED! !

STEP 2



ASSEMBLY INSTRUCTIONS

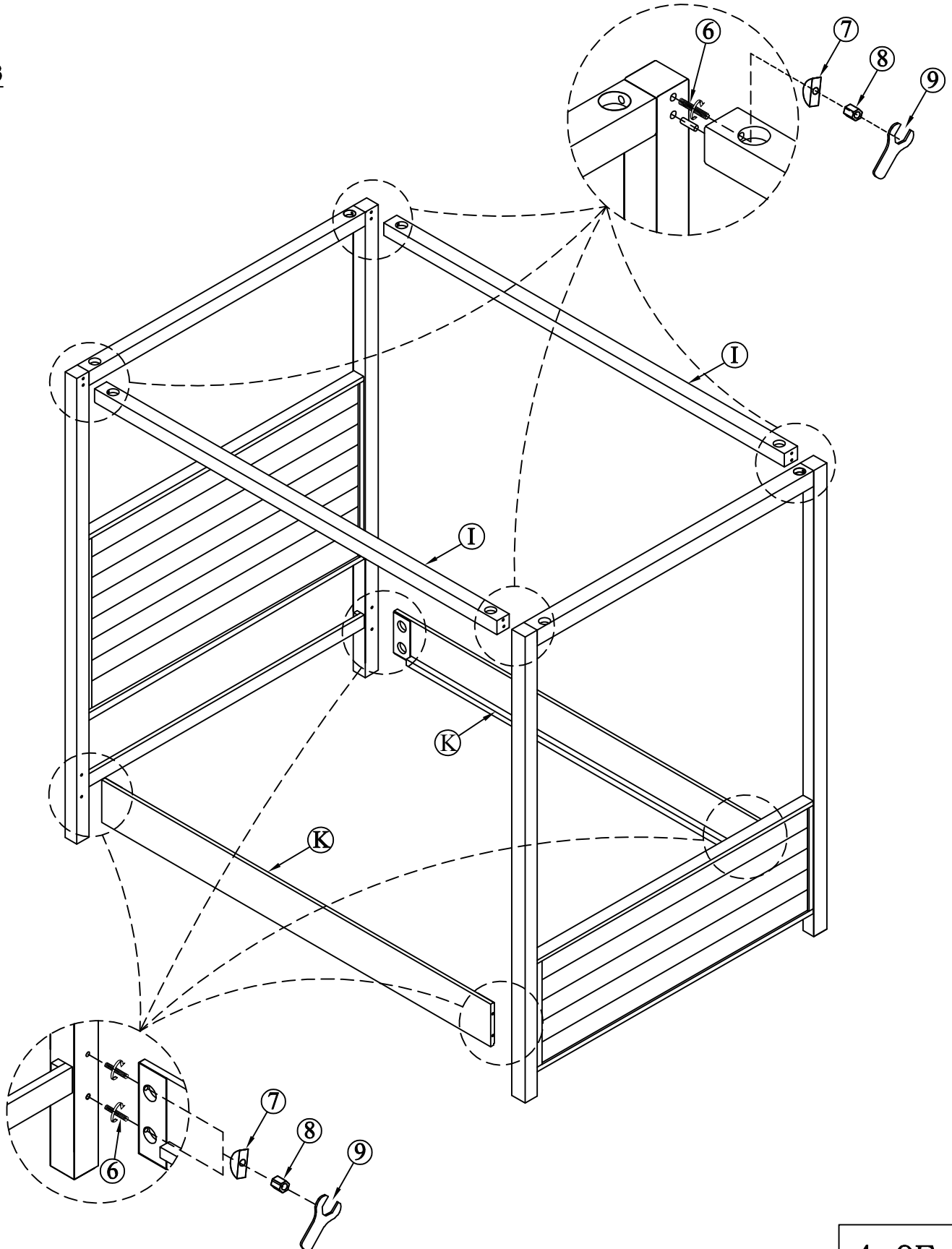
MODEL # : 1288-108HFQ MODERN QUEEN CANOPY HB,FB AND SLATS (V#12600VTC1)

MODEL # : 1288-108CAN MODERN QUEEN CANOPY FRAME (V#12600VTC1)

MODEL # : 1288-105RL MODERN QUEEN/KING SIDE RAILS (V#12600VTC1)

NOTE: THIS ITEM NOT RECOMMENDED FOR COMMERCIAL USE
KEEP THIS DOCUMENT FOR REFERENCE IN CASE PARTS ARE NEEDED
DO NOT TIGHTEN SCREWS UNTIL COMPLETELY ASSEMBLED! !

STEP 3



ASSEMBLY INSTRUCTIONS

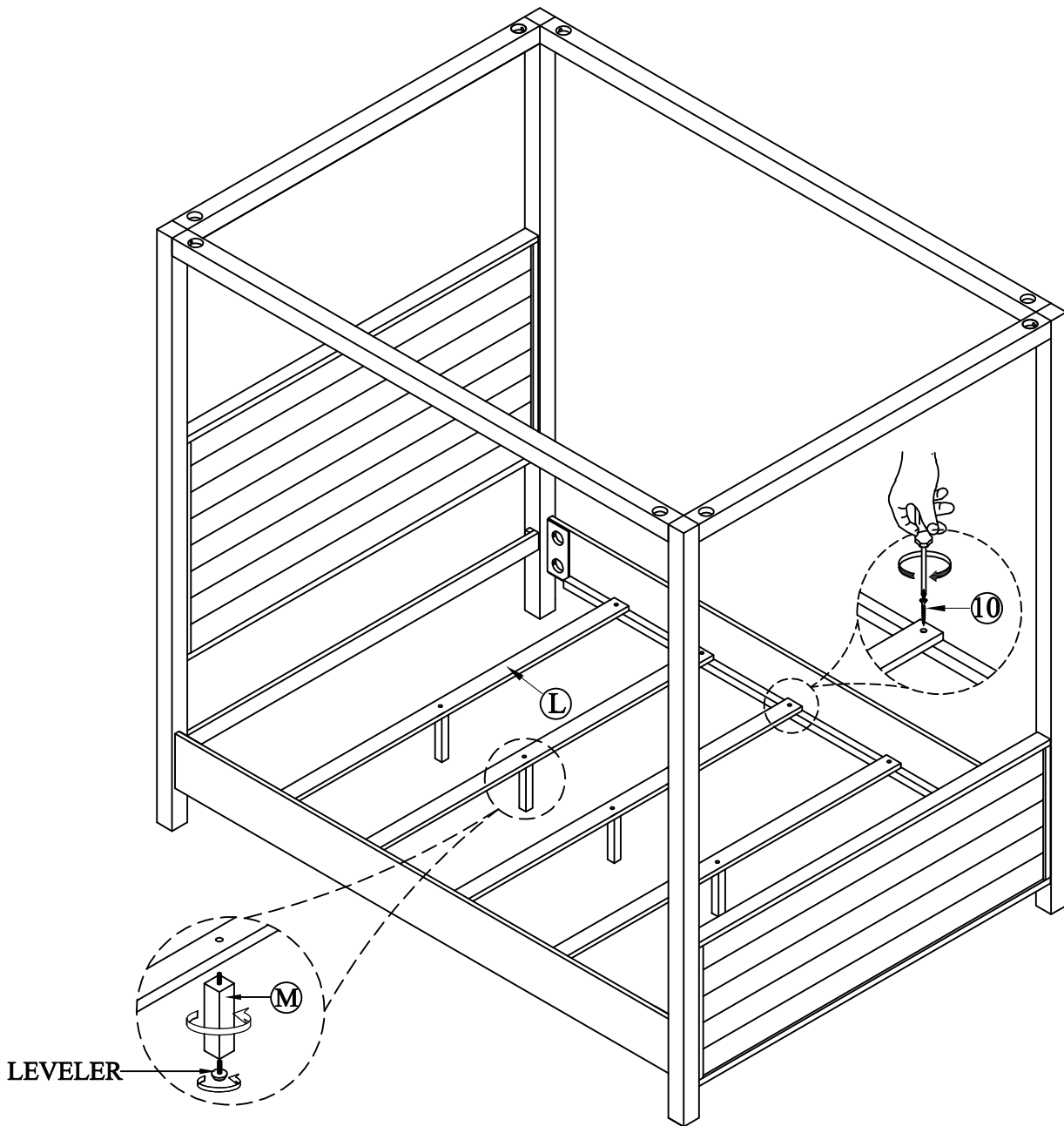
MODEL # : 1288-108HFQ MODERN QUEEN CANOPY HB,FB AND SLATS (V#12600VTC1)

MODEL # : 1288-108CAN MODERN QUEEN CANOPY FRAME (V#12600VTC1)

MODEL # : 1288-105RL MODERN QUEEN/KING SIDE RAILS (V#12600VTC1)

NOTE: THIS ITEM NOT RECOMMENDED FOR COMMERCIAL USE
KEEP THIS DOCUMENT FOR REFERENCE IN CASE PARTS ARE NEEDED
DO NOT TIGHTEN SCREWS UNTIL COMPLETELY ASSEMBLED! !

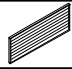



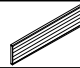

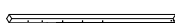


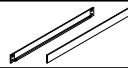

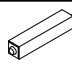
STEP 4











ASSEMBLY INSTRUCTIONS

MODEL # : 1288-113HFK MODERN KING CANOPY HB,FB AND SLATS (V#12600VTC1)
MODEL # : 1288-113CAN MODERN KING CANOPY FRAME (V#12600VTC1)
MODEL # : 1288-105RL MODERN QUEEN/KING SIDE RAILS (V#12600VTC1)

NOTE: THIS ITEM NOT RECOMMENDED FOR COMMERCIAL USE
KEEP THIS DOCUMENT FOR REFERENCE IN CASE PARTS ARE NEEDED
DO NOT TIGHTEN SCREWS UNTIL COMPLETELY ASSEMBLED! !

No	PARTS LIST		Q'TY
A		HEADBOARD	1PC
B		LEFT CANOPY COLUMN OF HEADBOARD	1PC
C		RIGHT CANOPY COLUMN OF HEADBOARD	1PC
D		HEADBOARD BOTTOM RAIL	1PC
E		FOOTBOARD	1PC
F		LEFT CANOPY COLUMN OF FOOTBOARD	1PC
G		RIGHT CANOPY COLUMN OF FOOTBOARD	1PC
H		SHORT CANOPY STRETCHER	2PCS
I		LONG CANOPY STRETCHER	2PCS
K		SIDE RAIL	2PCS
L		SLATS	4PCS
M		SUPPORT WITH LEVELER	8PCS

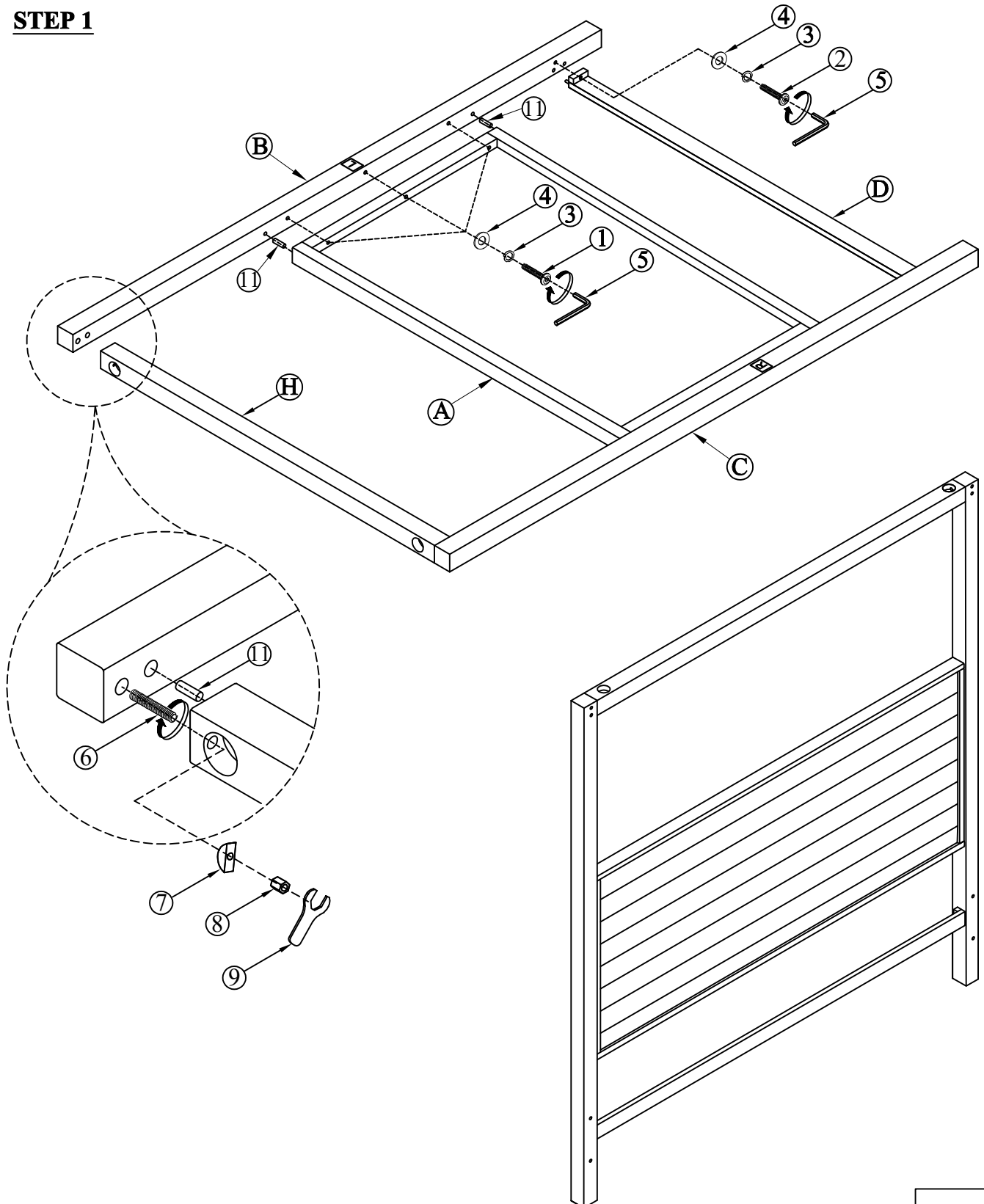
No	HARDWARE LIST		Q'TY
1		BOLT	12PCS
2		BOLT	2PCS
3		LOCK WASHER	14PCS
4		FLAT WASHER	14PCS
5		WRENCH	1PC
6		THREAD BOLT	16PCS
7		CURVED WASHERS	16PCS
8		HEX NUT	16PCS
9		OPEN WRENCH	1PC
10		SCREW	8PCS
11		WOOD DOWELS	16PCS

ASSEMBLY INSTRUCTIONS

MODEL # : 1288-113HFK MODERN KING CANOPY HB,FB AND SLATS (V#12600VTC1)
MODEL # : 1288-113CAN MODERN KING CANOPY FRAME (V#12600VTC1)
MODEL # : 1288-105RL MODERN QUEEN/KING SIDE RAILS (V#12600VTC1)

NOTE: THIS ITEM NOT RECOMMENDED FOR COMMERCIAL USE
KEEP THIS DOCUMENT FOR REFERENCE IN CASE PARTS ARE NEEDED
DO NOT TIGHTEN SCREWS UNTIL COMPLETELY ASSEMBLED!!

STEP 1

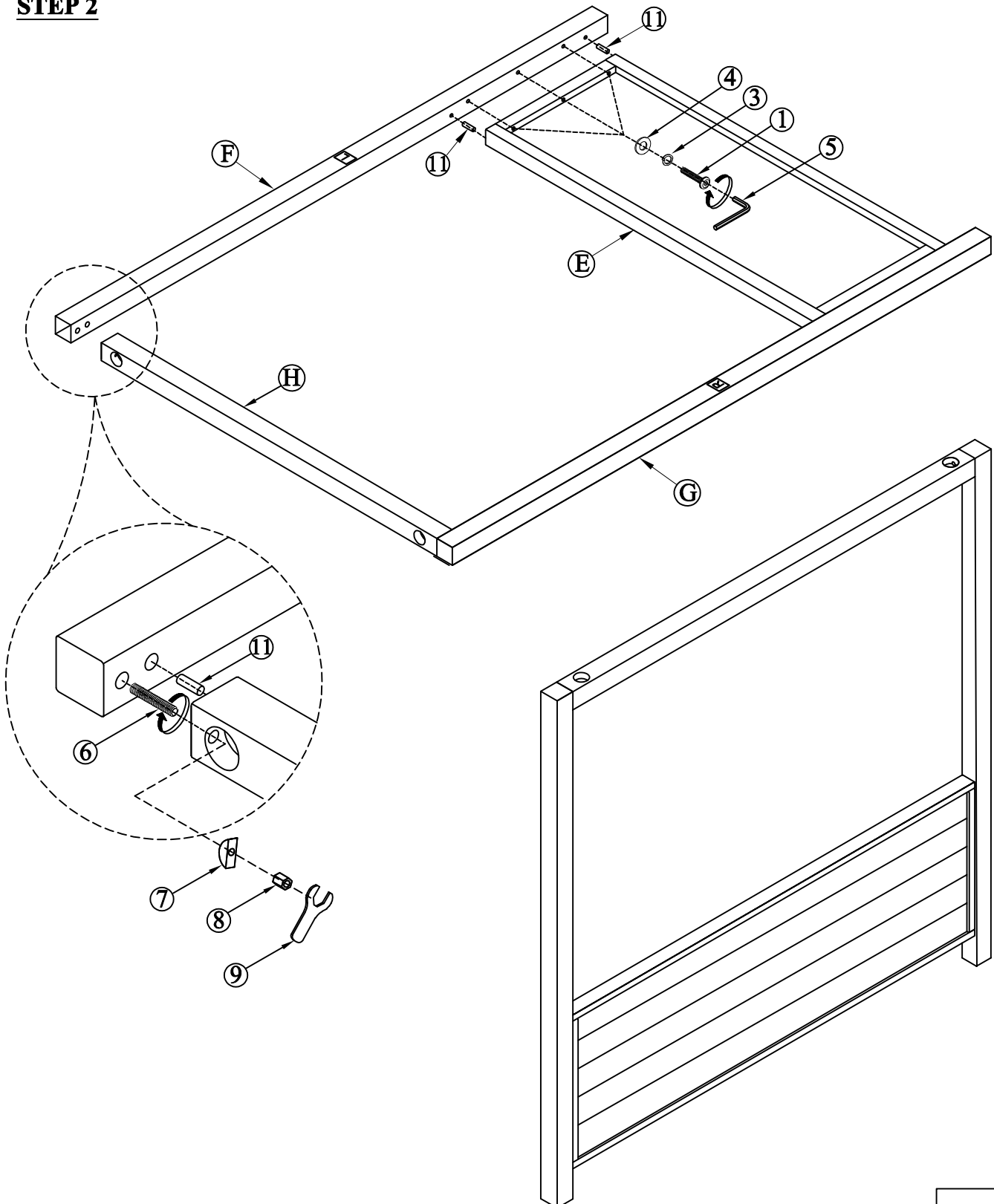


ASSEMBLY INSTRUCTIONS

MODEL # : 1288-113HFK MODERN KING CANOPY HB,FB AND SLATS (V#12600VTC1)
MODEL # : 1288-113CAN MODERN KING CANOPY FRAME (V#12600VTC1)
MODEL # : 1288-105RL MODERN QUEEN/KING SIDE RAILS (V#12600VTC1)

NOTE: THIS ITEM NOT RECOMMENDED FOR COMMERCIAL USE
KEEP THIS DOCUMENT FOR REFERENCE IN CASE PARTS ARE NEEDED
DO NOT TIGHTEN SCREWS UNTIL COMPLETELY ASSEMBLED! !

STEP 2



ASSEMBLY INSTRUCTIONS

MODEL # : 1288-113HFK MODERN KING CANOPY HB,FB AND SLATS

(V#12600VTC1)

MODEL # : 1288-113CAN MODERN KING CANOPY FRAME

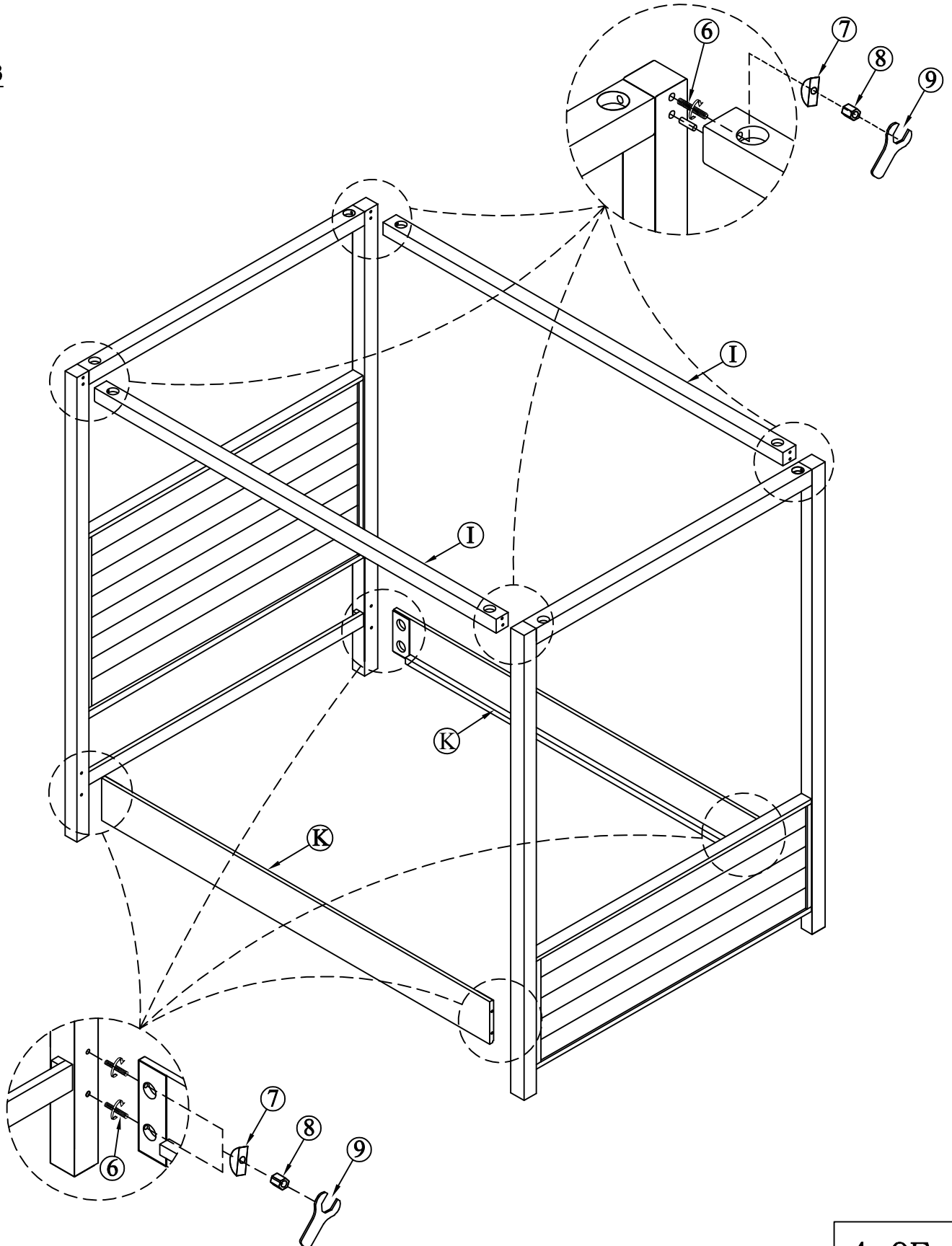
(V#12600VTC1)

MODEL # : 1288-105RL MODERN QUEEN/KING SIDE RAILS

(V#12600VTC1)

NOTE: THIS ITEM NOT RECOMMENDED FOR COMMERCIAL USE
KEEP THIS DOCUMENT FOR REFERENCE IN CASE PARTS ARE NEEDED
DO NOT TIGHTEN SCREWS UNTIL COMPLETELY ASSEMBLED! !

STEP 3



ASSEMBLY INSTRUCTIONS

MODEL # : 1288-113HFK MODERN KING CANOPY HB,FB AND SLATS (V#12600VTC1)
MODEL # : 1288-113CAN MODERN KING CANOPY FRAME (V#12600VTC1)
MODEL # : 1288-105RL MODERN QUEEN/KING SIDE RAILS (V#12600VTC1)

NOTE: THIS ITEM NOT RECOMMENDED FOR COMMERCIAL USE
KEEP THIS DOCUMENT FOR REFERENCE IN CASE PARTS ARE NEEDED
DO NOT TIGHTEN SCREWS UNTIL COMPLETELY ASSEMBLED! !

STEP 4

