

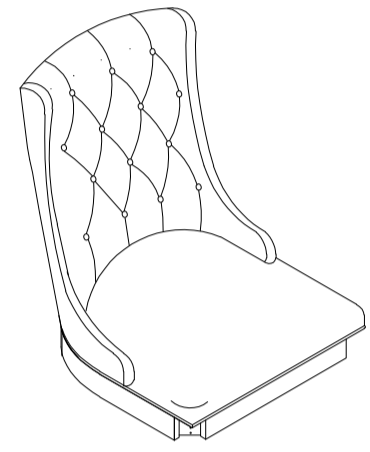
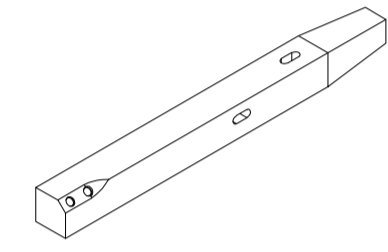
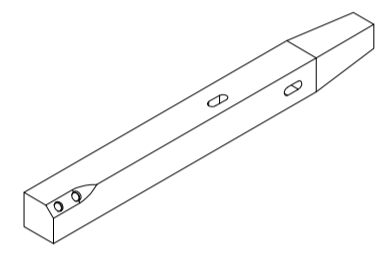
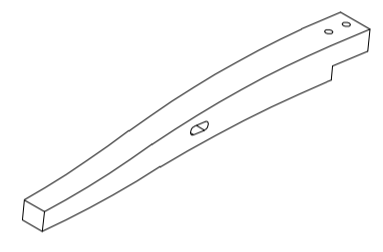
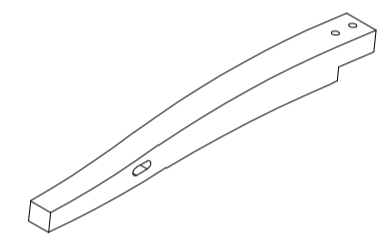
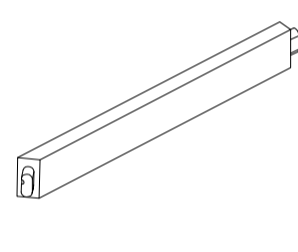
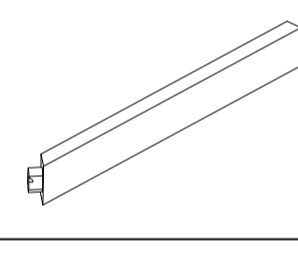
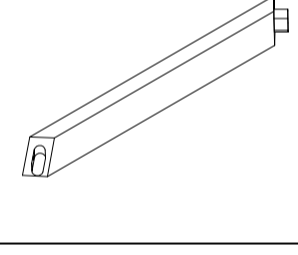
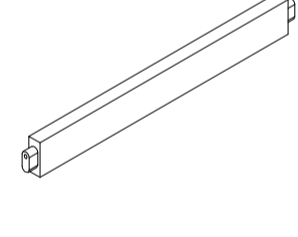
ASSEMBLY INSTRUCTIONS

MODEL#: 1284-542 RUSTIC UPHOLSTERED COUNTER STOOL (V#12600BHTW1)

NOTE: KEEP THIS DOCUMENT FOR REFERENCE IN CASE PARTS ARE NEEDED
DO NOT TIGHTEN SCREWS UNTIL COMPLETELY ASSEMBLED!!

Care Instructions:

Please wipe clean using a non-abrasive mild soap and warm water.

NO	PARTS LIST		Q'TY
A		CHAIR SEAT	1 pc
B		FRONT LEGS (RIGHT)	1 pc
C		FRONT LEGS (LEFT)	1 pc
D		BACKLEG (RIGHT)	1 pc
E		BACKLEG (LEFT)	1 pc
F		SHORT STRETCHER (RIGHT)	1 pc
G		SHORT STRETCHER (LEFT)	1 pc
H		SHORT STRETCHER (BACK)	1 pc
I		SHORT STRETCHER (FRONT)	1 pc

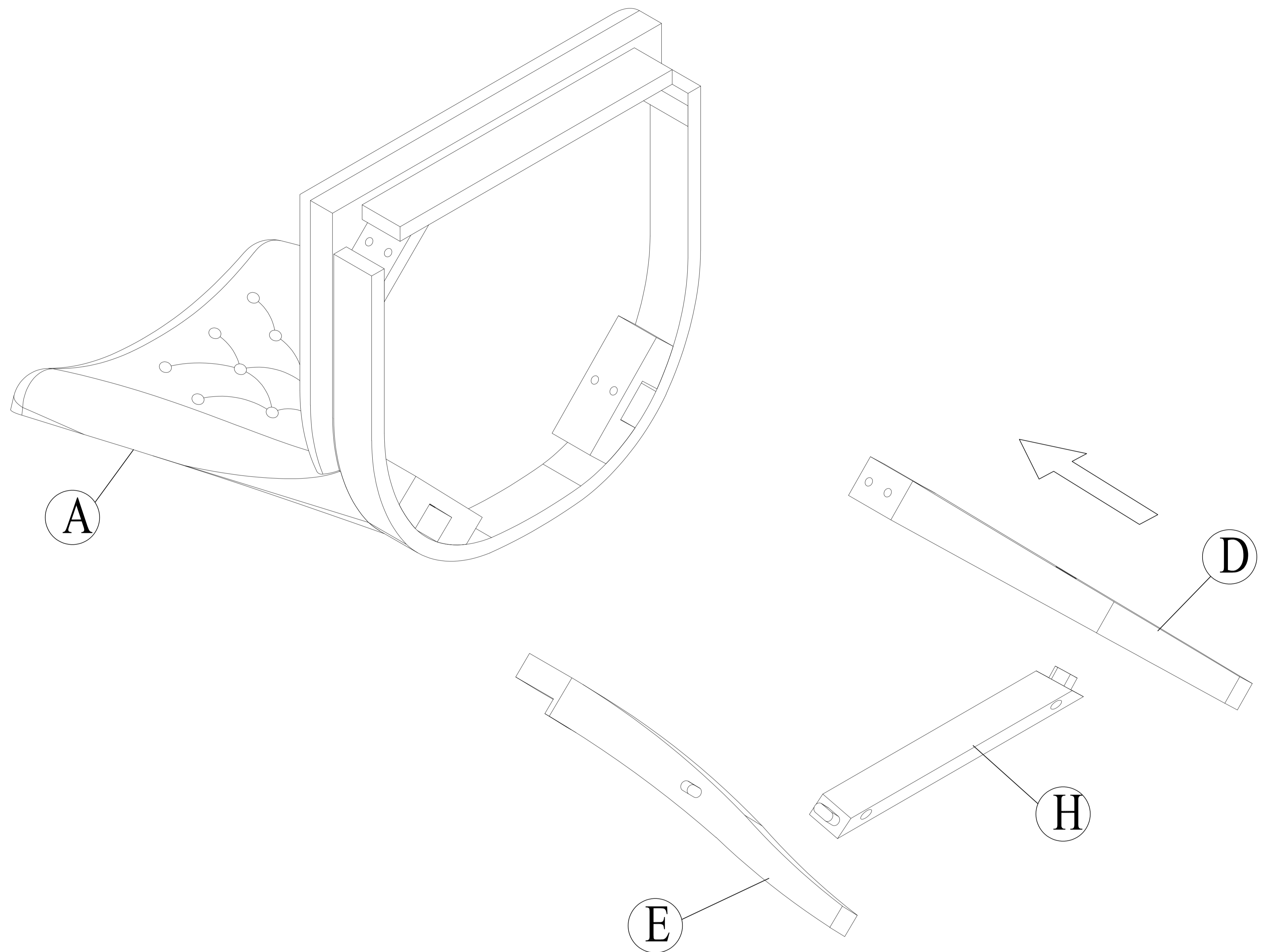
NO	HARDWARE LIST		Q'TY	
1		Bolt	Ø5/16"x2"	8 PCS
2		Lock Washer	Ø5/16"	8 PCS
3		Flat Washer	Ø5/16"x19Dx2mm	8 PCS
4		Screws	M4x1-3/4"	8 PCS
5		Allen Wrench	3"x4mm	1 PC

ASSEMBLY INSTRUCTIONS

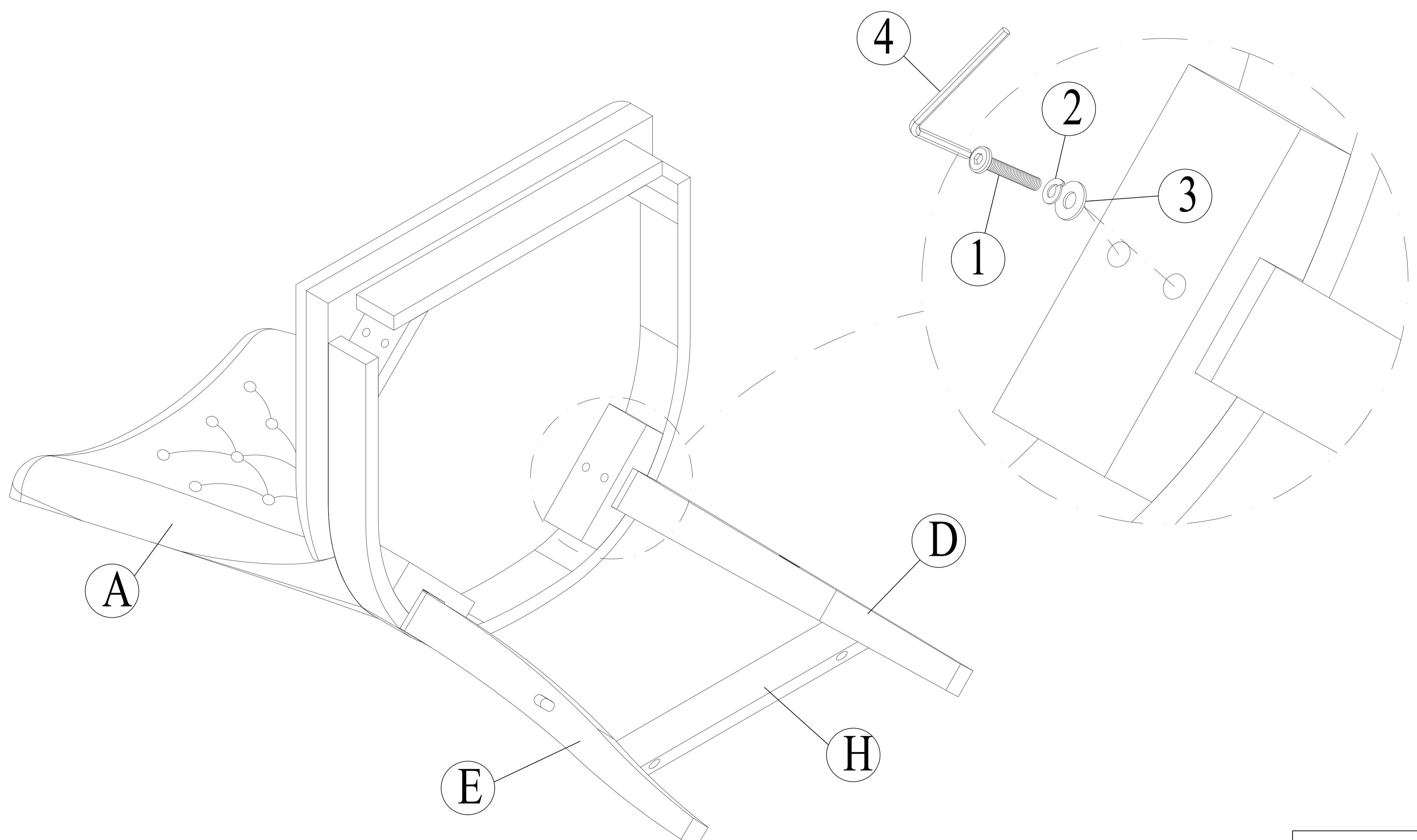
MODEL#: 1284-542 RUSTIC UPHOLSTERED COUNTER STOOL (V#12600BHTW1)

NOTE: KEEP THIS DOCUMENT FOR REFERENCE IN CASE PARTS ARE NEEDED
DO NOT TIGHTEN SCREWS UNTIL COMPLETELY ASSEMBLED!!

STEP 1



STEP 2

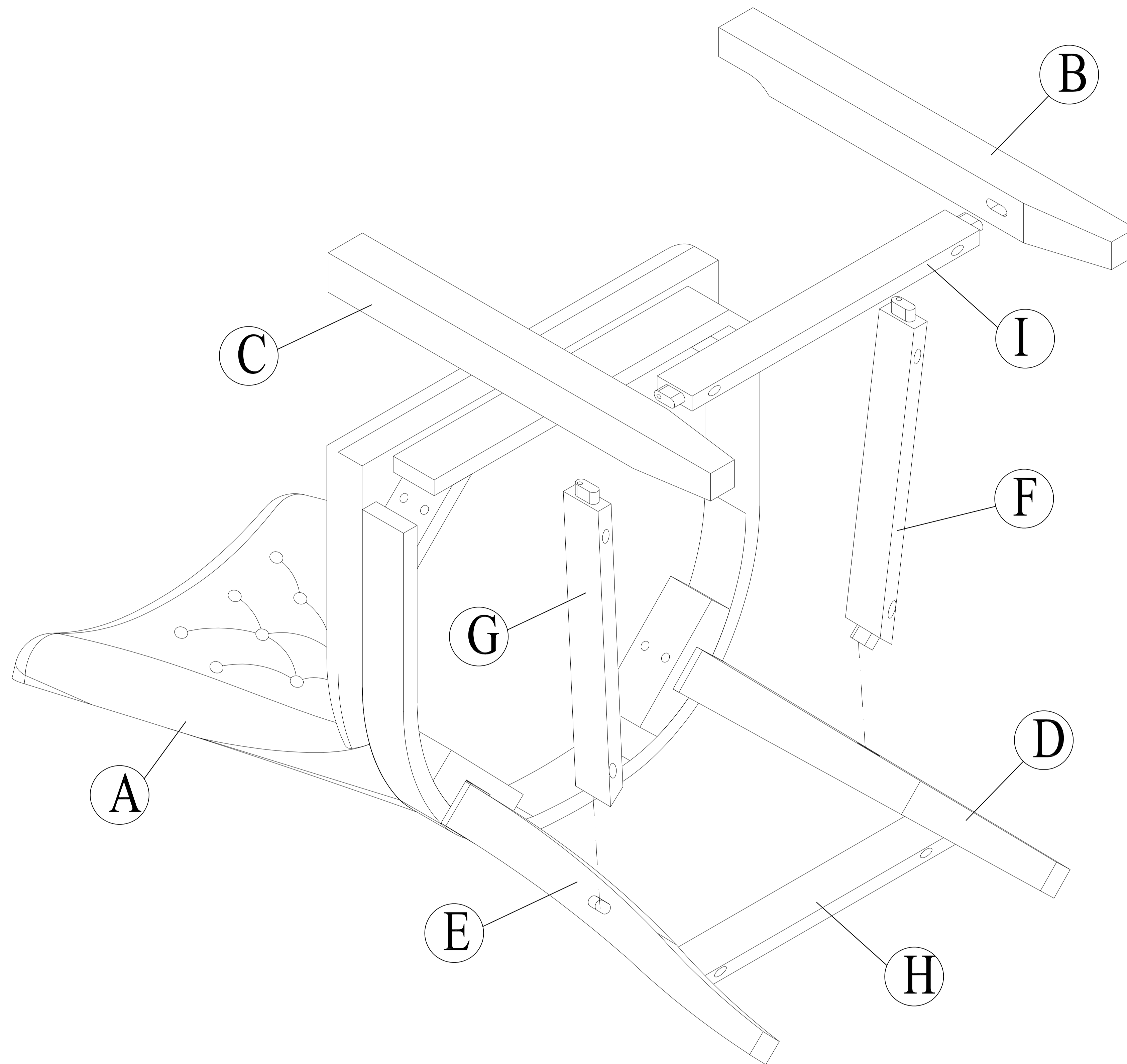


ASSEMBLY INSTRUCTIONS

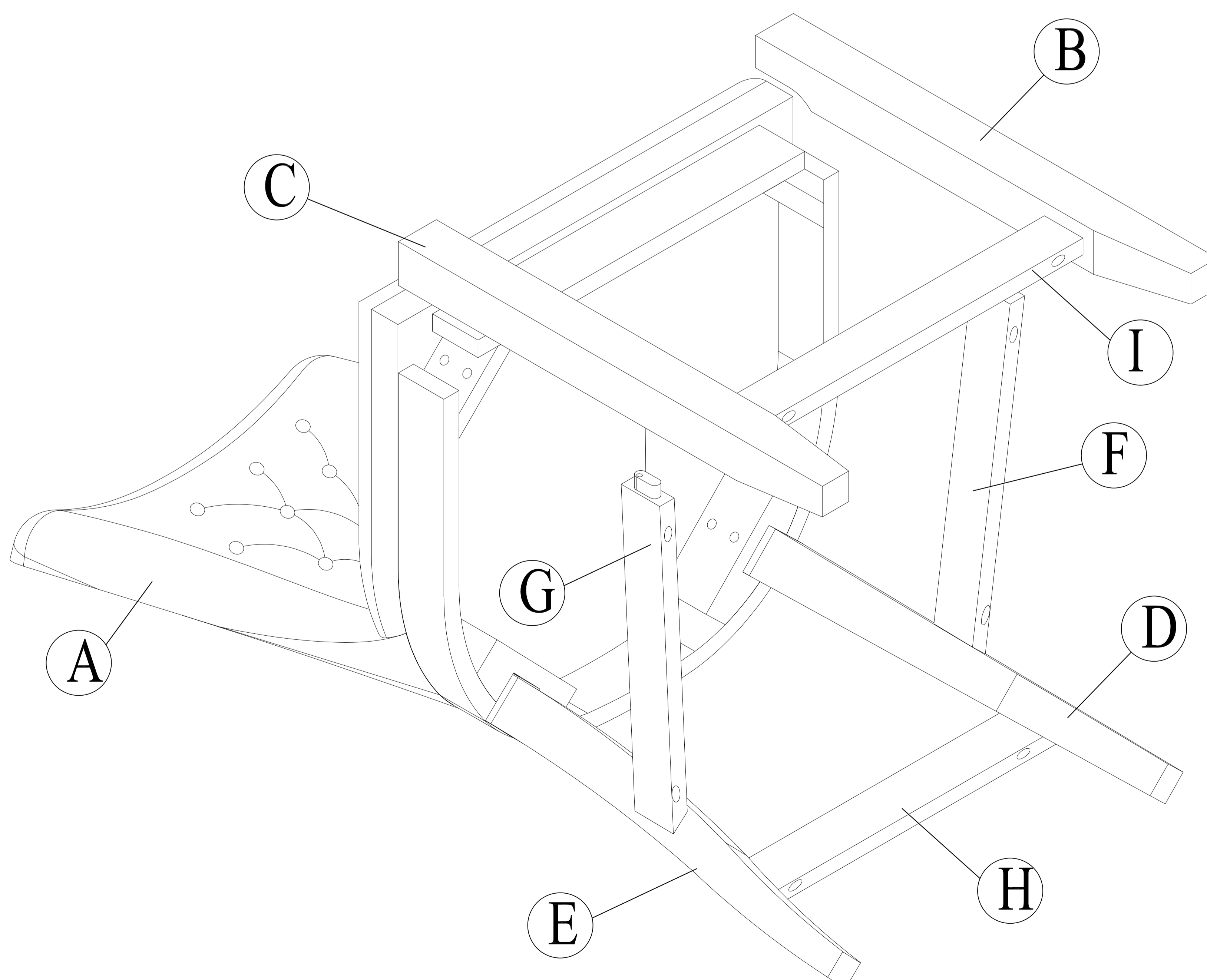
MODEL#: 1284-542 RUSTIC UPHOLSTERED COUNTER STOOL (V#12600BHTW1)

NOTE: KEEP THIS DOCUMENT FOR REFERENCE IN CASE PARTS ARE NEEDED
DO NOT TIGHTEN SCREWS UNTIL COMPLETELY ASSEMBLED!!

STEP 3



STEP 4

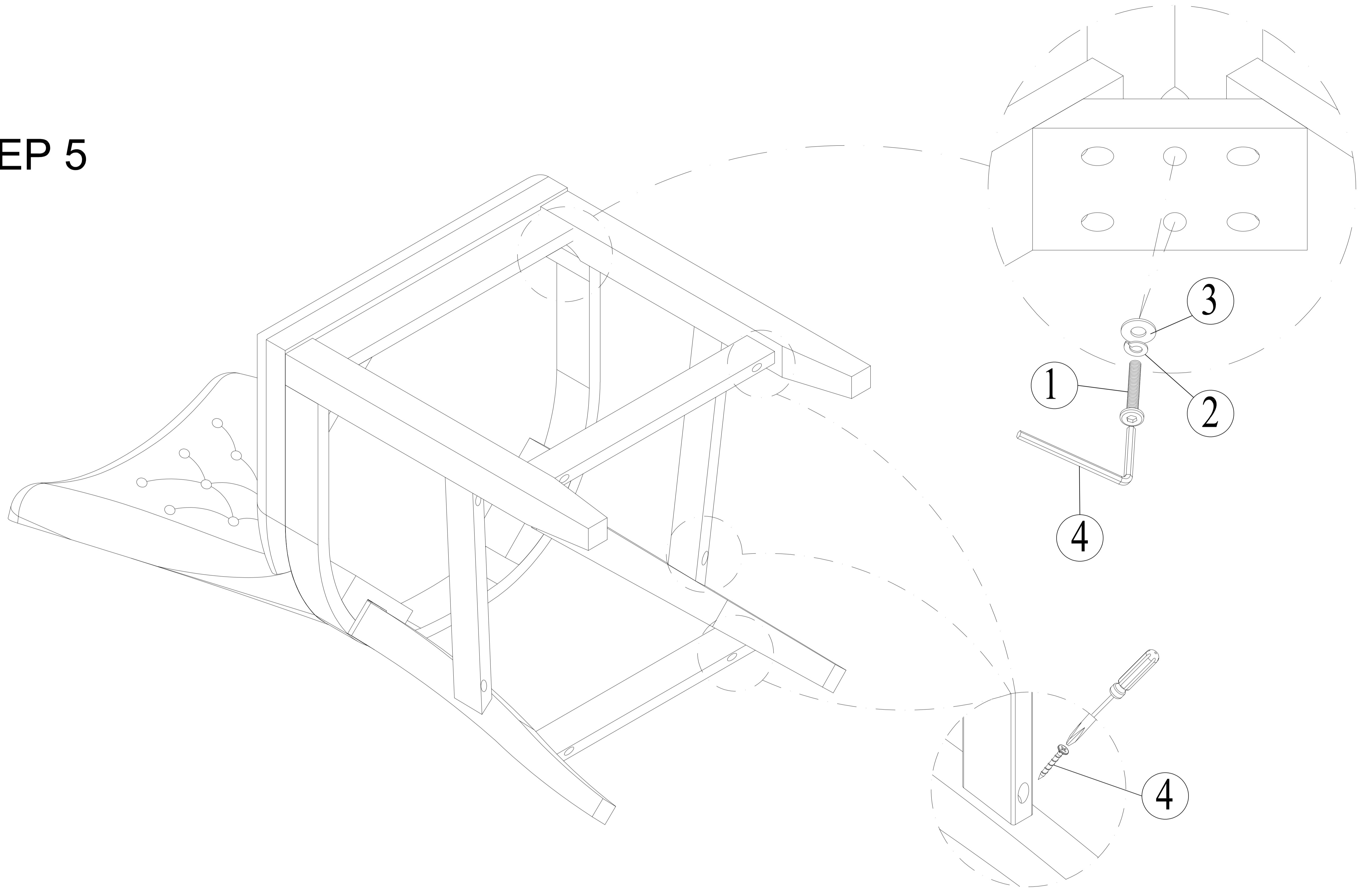


ASSEMBLY INSTRUCTIONS

MODEL#: 1284-542 RUSTIC UPHOLSTERED COUNTER STOOL (V#12600BHTW1)

NOTE: KEEP THIS DOCUMENT FOR REFERENCE IN CASE PARTS ARE NEEDED
DO NOT TIGHTEN SCREWS UNTIL COMPLETELY ASSEMBLED!!

STEP 5



Assembly Completed

