

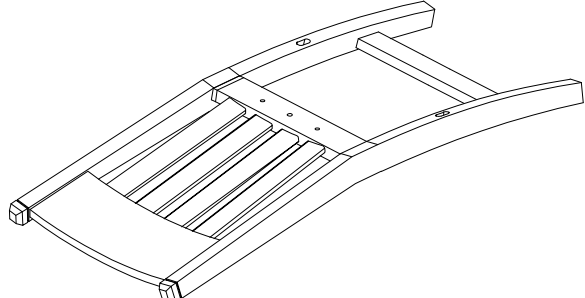
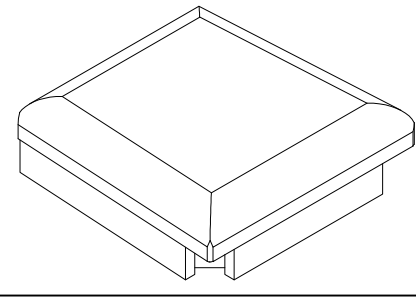
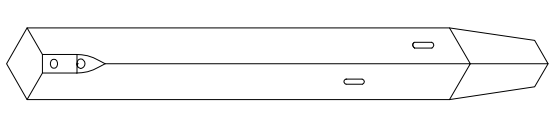
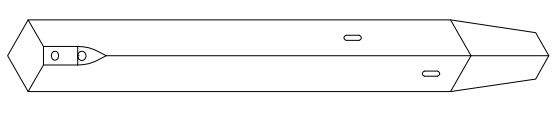
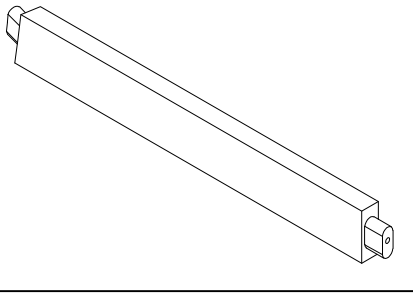
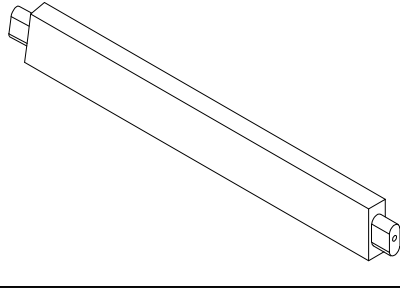
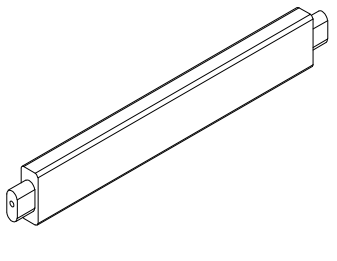
ASSEMBLY INSTRUCTIONS

MODEL#: 1284-541 RUSTIC SLAT BACK COUNTER STOOL (V#12600BHTW1)

NOTE: KEEP THIS DOCUMENT FOR REFERENCE IN CASE PARTS ARE NEEDED
DO NOT TIGHTEN SCREWS UNTIL COMPLETELY ASSEMBLED!!

Care Instructions:

Please wipe clean using a non-abrasive mild soap and warm water.

NO	PARTS LIST		Q'TY
A		BACKREST BRAME	1 PC
B		FRAME SITTING	1 PC
C		LEG (RIGHT)	1 PC
D		LEG (LEFT)	1 PC
E		SHORT STRETCHER (RIGHT)	1 PC
F		SHORT STRETCHER (LEFT)	1 PC
G		SHORT STRETCHER (FRONT)	1 PC

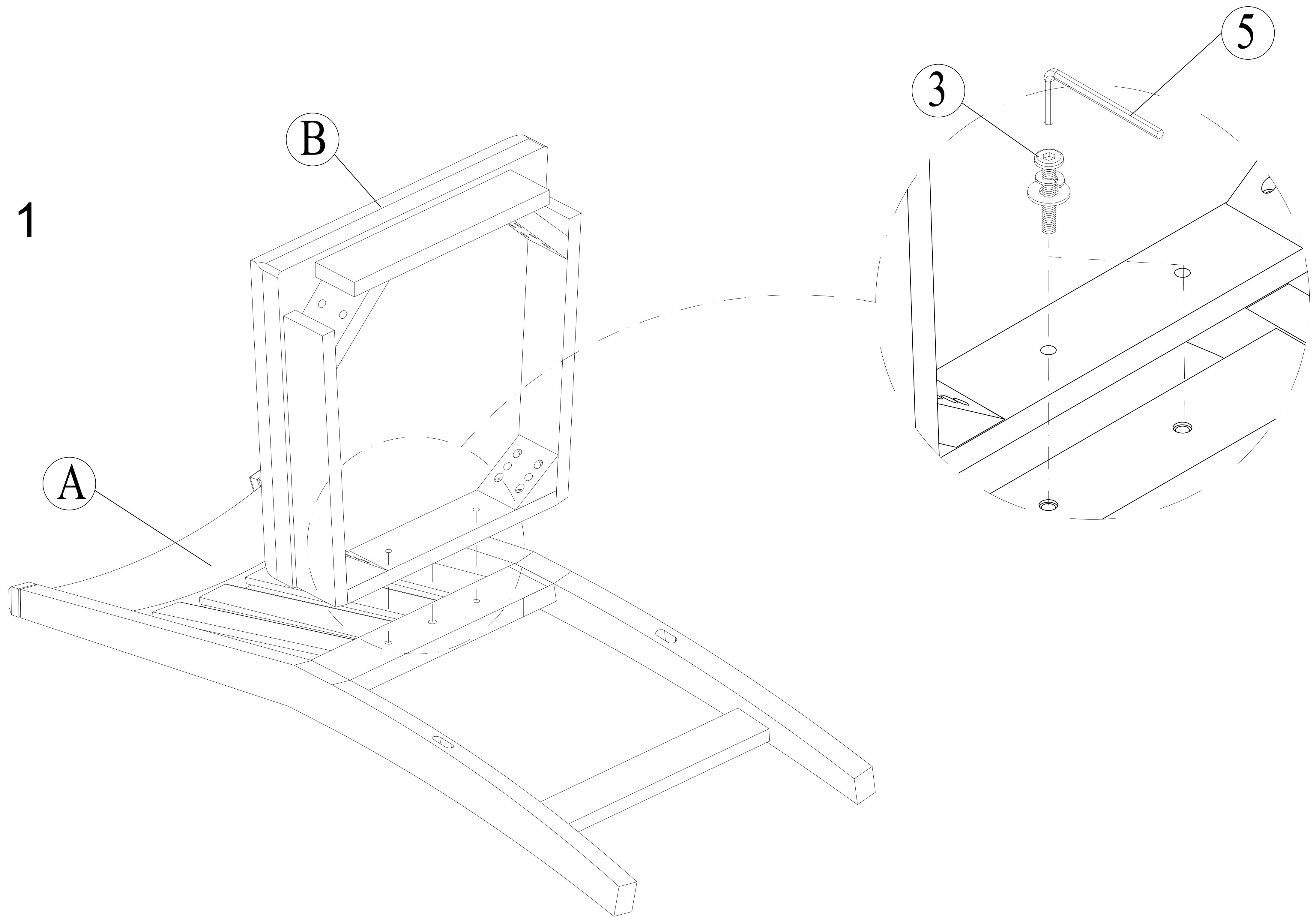
NO	HARDWARE LIST			Q'TY
1		Long Bolt	Ø5/16"x3-1/4"	4 PCS
		Lock Washer	Ø5/16"	4 PCS
		Flat Washer	Ø5/16"x19Dx2mm	4 PCS
2		Short Bolt	Ø5/16"x2"	4 PCS
		Lock Washer	Ø5/16"	4 PCS
		Flat Washer	Ø5/16"x19Dx2mm	4 PCS
3		Short Bolt	Ø1/4"x1-1/2"	2 PCS
		Lock Washer	Ø1/4"	2 PCS
		Flat Washer	Ø1/4"x19Dx2mm	2 PCS
4		Screws	M4x1-3/4"	6 PCS
5		Allen Wrench	3"x4mm	1 PC

ASSEMBLY INSTRUCTIONS

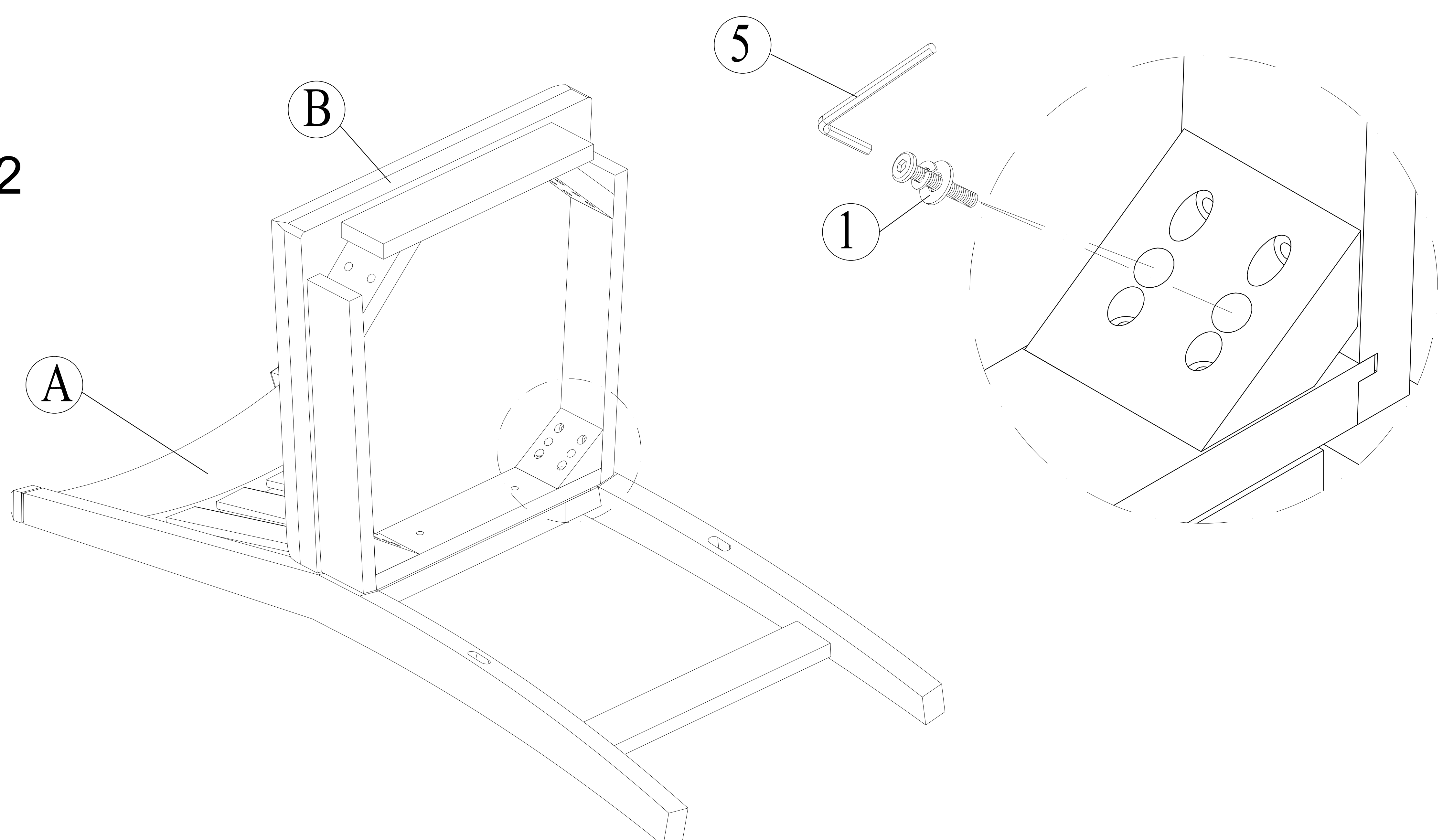
MODEL#: 1284-541 RUSTIC SLAT BACK COUNTER STOOL (V#12600BHTW1)

NOTE: KEEP THIS DOCUMENT FOR REFERENCE IN CASE PARTS ARE NEEDED
DO NOT TIGHTEN SCREWS UNTIL COMPLETELY ASSEMBLED!!

STEP 1



STEP 2

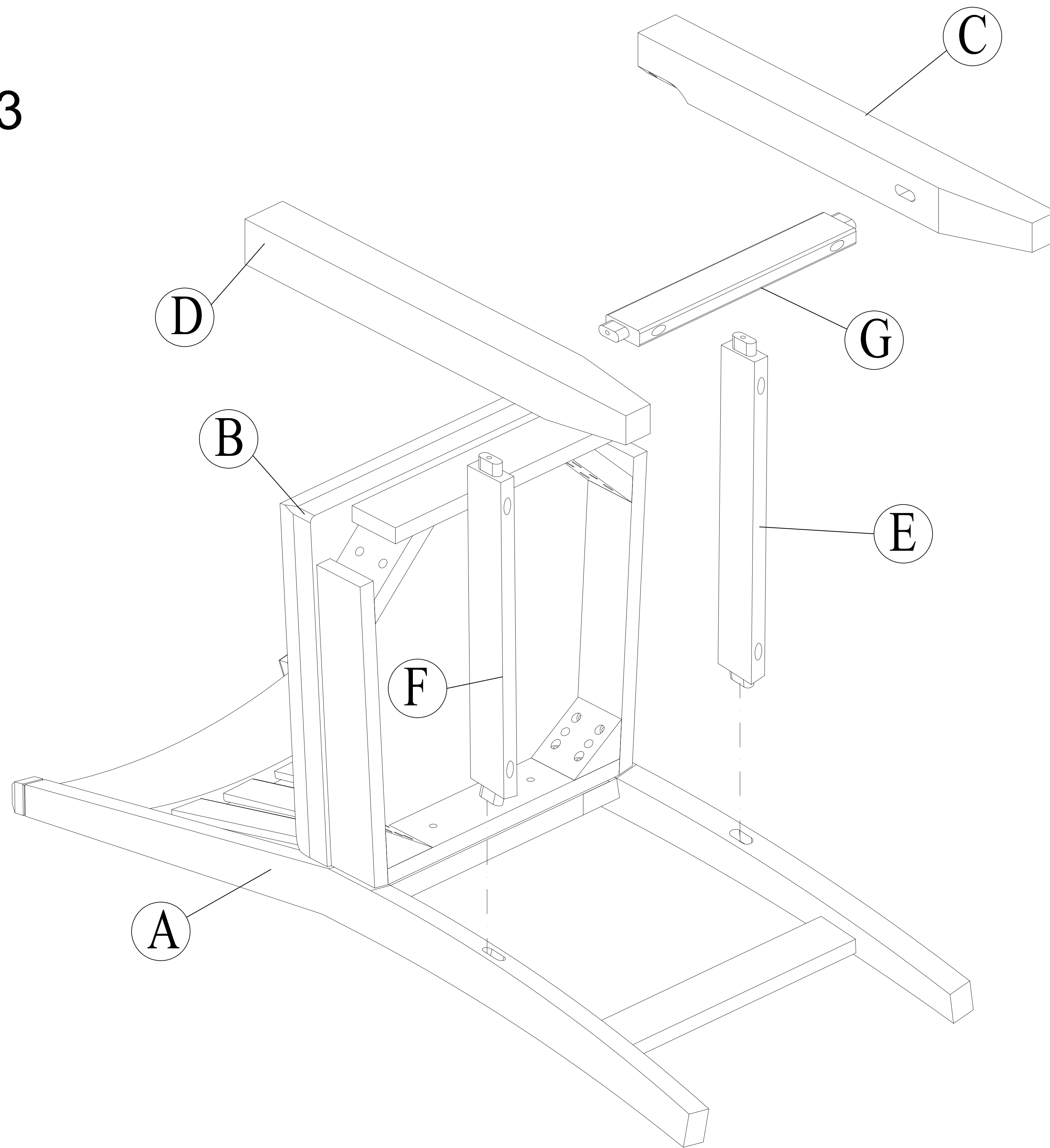


ASSEMBLY INSTRUCTIONS

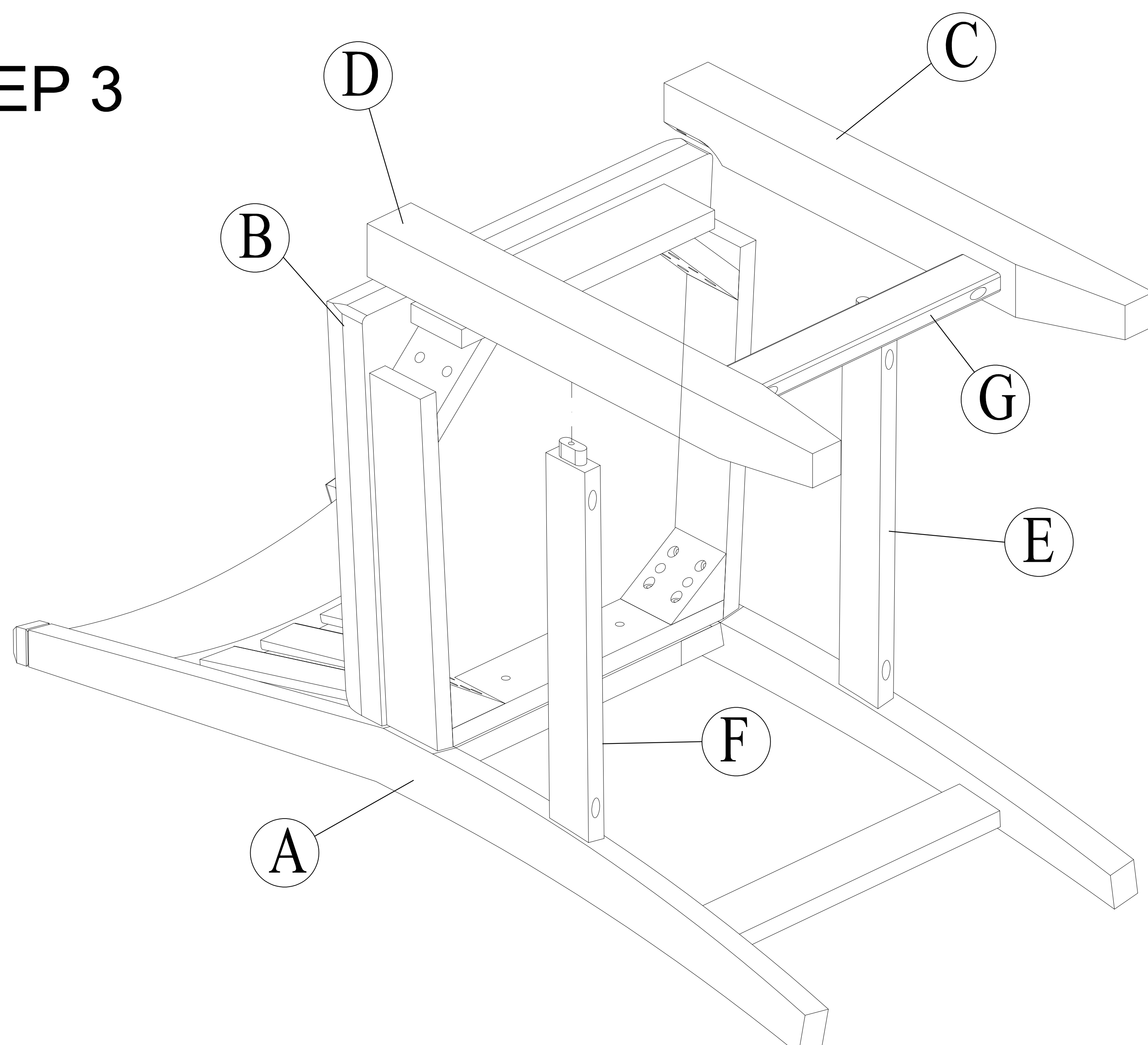
MODEL#: 1284-541 RUSTIC SLAT BACK COUNTER STOOL (V#12600BHTW1)

NOTE: KEEP THIS DOCUMENT FOR REFERENCE IN CASE PARTS ARE NEEDED
DO NOT TIGHTEN SCREWS UNTIL COMPLETELY ASSEMBLED!!

STEP 3



STEP 3

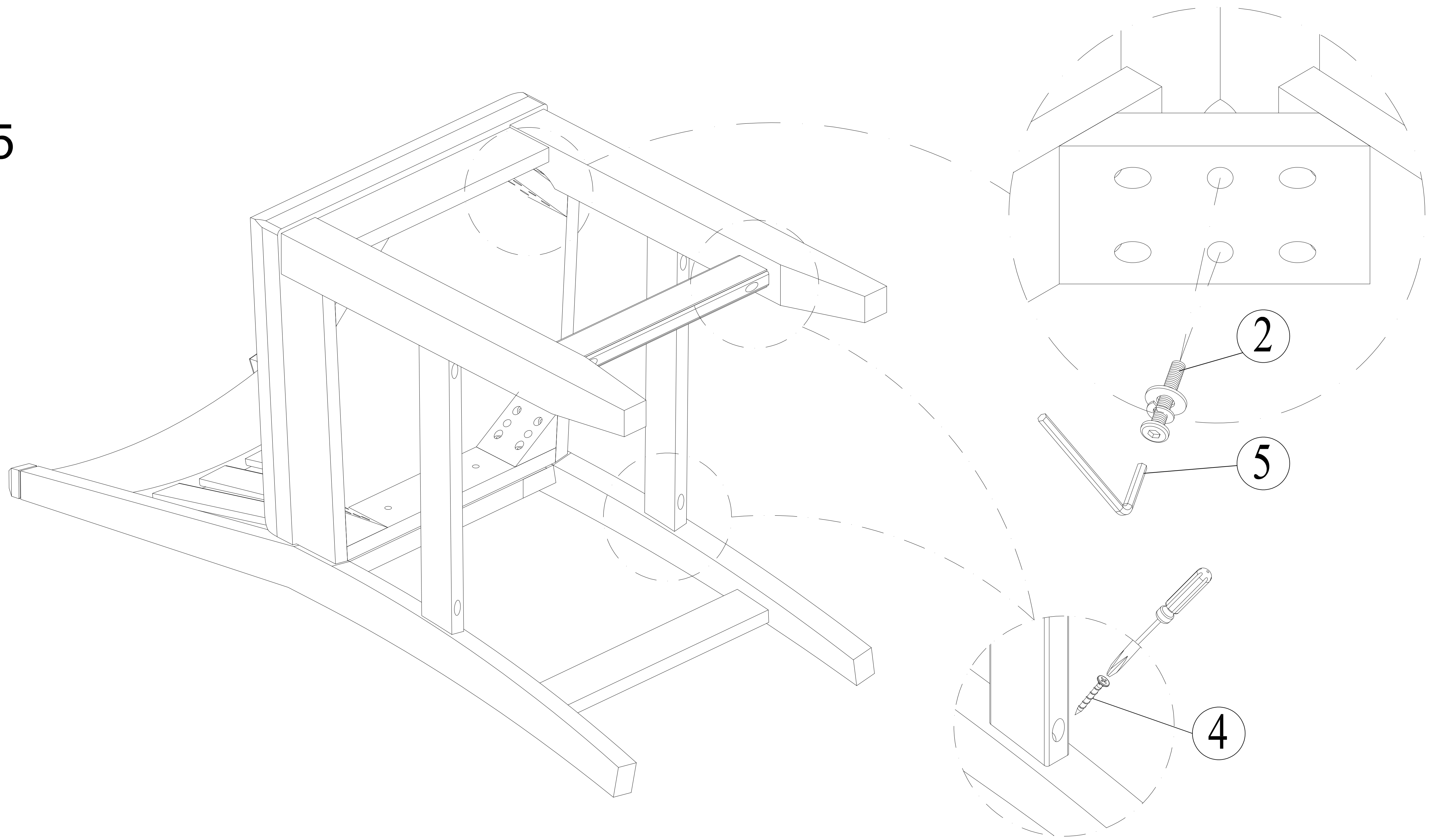


ASSEMBLY INSTRUCTIONS

MODEL#: 1284-541 RUSTIC SLAT BACK COUNTER STOOL (V#12600BHTW1)

NOTE: KEEP THIS DOCUMENT FOR REFERENCE IN CASE PARTS ARE NEEDED
DO NOT TIGHTEN SCREWS UNTIL COMPLETELY ASSEMBLED!!

STEP 5



Assembly Completed

