

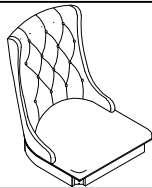

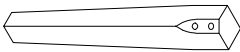
# ASSEMBLY INSTRUCTIONS

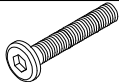



**MODEL#: 1284-511 HARTFORD UPHOLSTERED SIDE CHAIR (V#12600BHTW1)**

**NOTE: KEEP THIS DOCUMENT FOR REFERENCE IN CASE PARTS ARE NEEDED  
DO NOT TIGHTEN SCREWS UNTIL COMPLETELY ASSEMBLED!!**

**Care Instructions:**

Please wipe clean using a non-abrasive mild soap and warm water.

| NO       | PARTS LIST  |            | Q'TY  |
|----------|---|------------|-------|
| <b>A</b> |    | CHAIR SEAT | 1 pc  |
| <b>B</b> |    | BACK LEG   | 2 pcs |
| <b>C</b> |  | FRONT LEGS | 2 pcs |

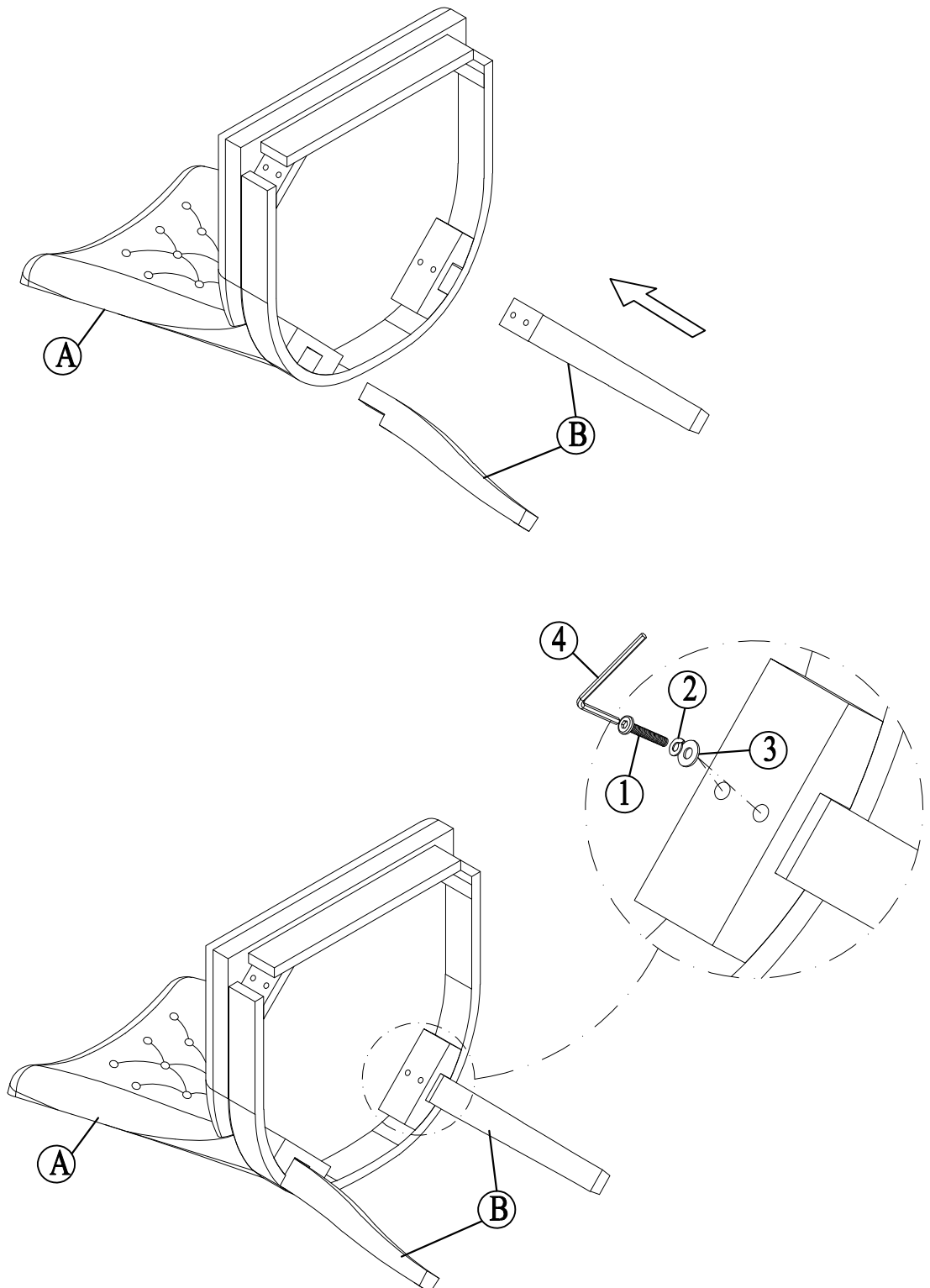
| NO | HARDWARE LIST   |              |                  | Q'TY  |
|----|---|--------------|------------------|-------|
| 1  |  | Bolt         | Ø5/16"x2"        | 8 pcs |
| 2  |  | Lock Washer  | Ø5/16"           | 8 pcs |
| 3  |  | Flat Washer  | Ø5/16"x19Dx1.5mm | 8 pcs |
| 4  |  | Allen Wrench | 2-1/4"x4mm       | 1 pc  |

# ASSEMBLY INSTRUCTIONS

**MODEL#: 1284-511 HARTFORD UPHOLSTERED SIDE CHAIR (V#12600BHTW1)**

**NOTE: KEEP THIS DOCUMENT FOR REFERENCE IN CASE PARTS ARE NEEDED  
DO NOT TIGHTEN SCREWS UNTIL COMPLETELY ASSEMBLED!!**

## STEP 1

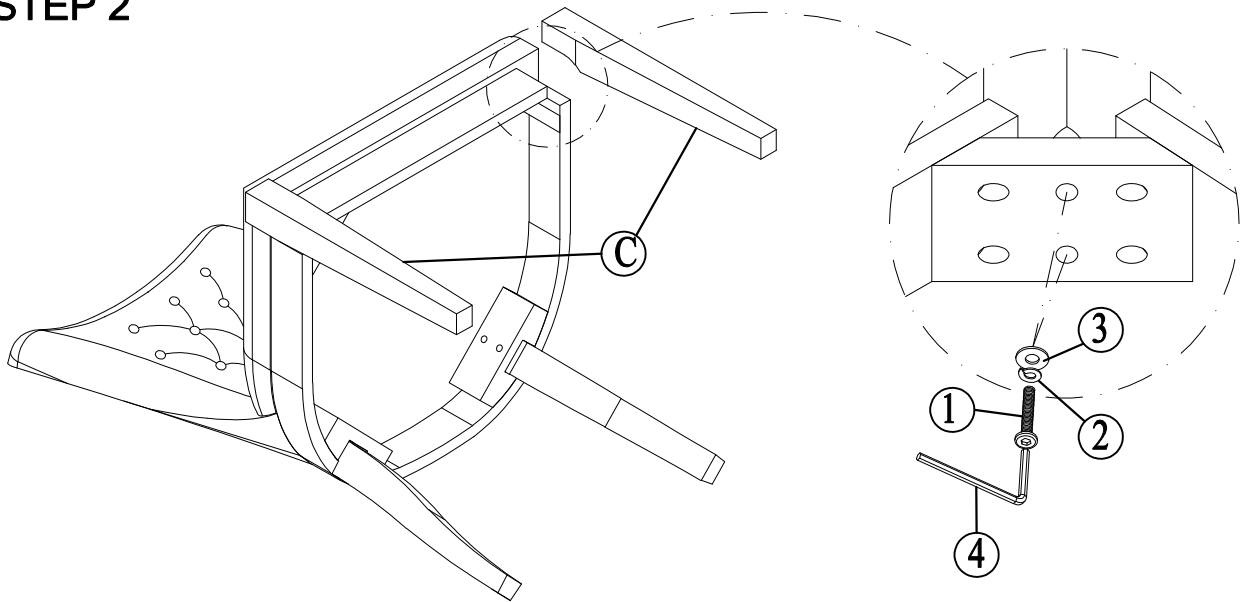


# ASSEMBLY INSTRUCTIONS

**MODEL#: 1284-511 HARTFORD UPHOLSTERED SIDE CHAIR (V#12600BHTW1)**

**NOTE: KEEP THIS DOCUMENT FOR REFERENCE IN CASE PARTS ARE NEEDED  
DO NOT TIGHTEN SCREWS UNTIL COMPLETELY ASSEMBLED!!**

## STEP 2



## Assembly Completed

